

CAT. NO.	NO. OF CONTACT (n)	A
BTFN6P-3RF7LF	6	11.45
BTFN8P-3RF7LF	8	13.95
BTFN10P-3RF7LF	10	16.45
BTFN12P-3RF7LF	12	18.95
BTFN14P-3RF7LF	14	21.45
BTFN16P-3RF7LF	16	23.95
BTFN18P-3RF7LF	18	26.45
BTFN20P-3RF7LF	20	28.95

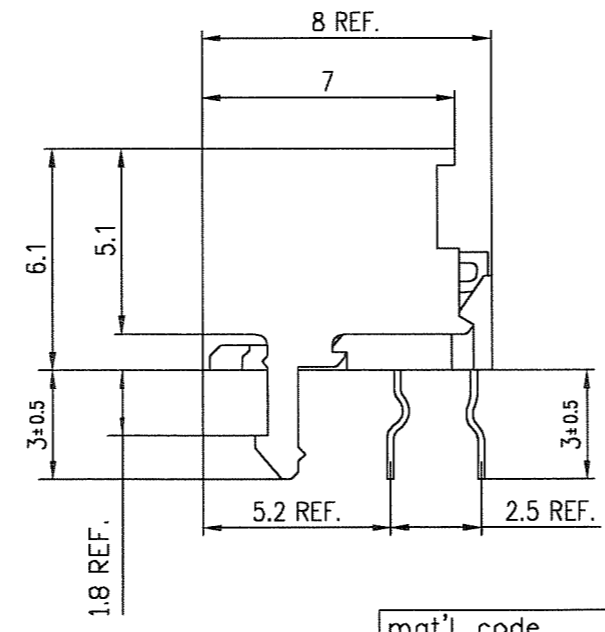
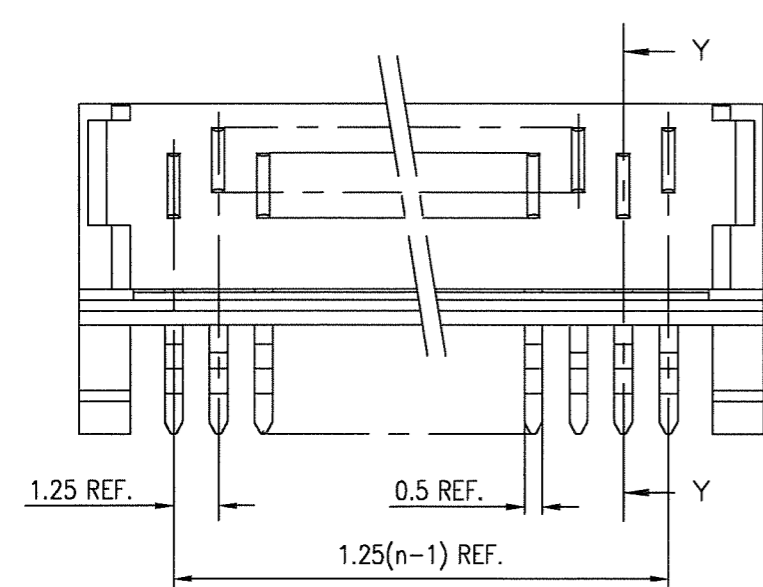
n : NO. OF CONTACTS

THIS PRODUCT MEETS EUROPEAN UNION DIRECTIVES AND OTHER COUNTRY REGULATIONS AS DESCRIBED IN GS-22-008

MATERIAL

INSULATOR : PBT RESIN GLASS REINFORCED (UL94V-0)
COLOR : BLACK

CONTACT : PHOSPHOR BRONZE
Sn Ni UNDER PLATED



mat'l. code				surface ISO 1302 ✓	tolerance ISO 406 ISO 1101	projection 	product family 58ZF	CODE JP
ltr	description	ecn no	dr	date	tolerances unless otherwise specified	angles linear	title PLUG CONNECTOR (DIP) (Cat. No. BTFN__P-3RF7LF)	
A	RELEASED	J05-0439	H.T	7/12/05	±0.3	mm	dwg no sheet 1 of 1 size	
B	REVISED	J05-0714	H.T	10/20/05		scale X	JSC 96578 A3	
C	CHANGED LOGO	J06-0466	H.T	11/13/06			type Product Customer Drawing	
sheet index	revision sheet	C						Rev. C

Copyright FCJ

FCJ

FCconnect.com