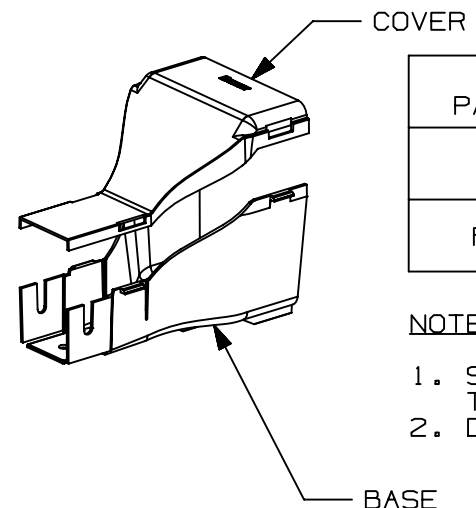
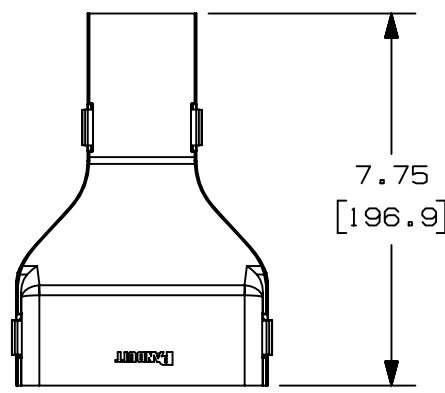


2

1

THIS COPY IS PROVIDED ON A RESTRICTED BASIS AND IS NOT TO BE USED IN ANY WAY DETRIMENTAL TO THE INTERESTS OF PANDUIT CORP.

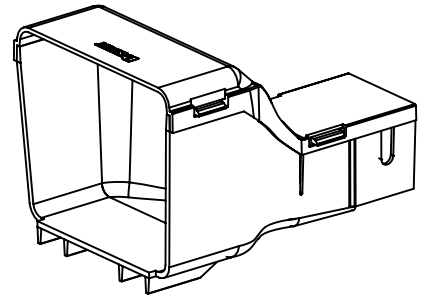
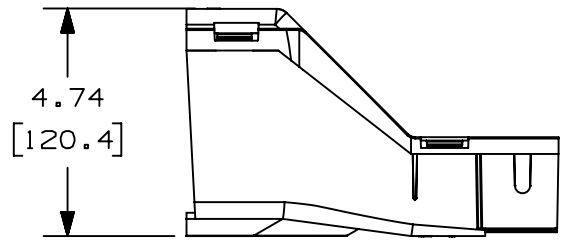
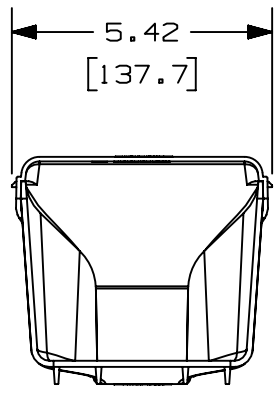


PANDUIT PART NUMBER	WEIGHT	MATERIAL
FRRF4FD2	0.44 LB/EACH (201g/EACH)	ABS
FRRF4FD2L	0.44 LB/EACH (201g/EACH)	PC/ABS

NOTES:

1. SEE CURRENT CATALOG FOR ADDITIONAL PART SUFFIXES TO INDICATE COLOR AND/OR PACKAGE QUANTITY.
2. DIMENSIONS IN PARENTHESES ARE IN METRIC.

BASE
PART ROTATED 180° TO
SHOW FIBER-DUCT 2x2
MOUNTING LOCATIONS



B

B

A

A

REV	DATE	BY	CHK	APR	DESCRIPTION	ECN
01B	9/2/2020	MES	DWR	DWR	UPDATED TITLE BLOCK, ADDED PART NUMBER	V09002DZ/11

TITLE FIBERRUNNER 4x4 TO FIBER-DUCT 2x2 REDUCER (FRRF4FD2, FRRF4FD2L) CUSTOMER DRAWING	
ITEM REVISION NAME D37847DG/01	PANDUIT
DATASET FILE NAME D37847DG/01	
UNLESS OTHERWISE SPECIFIED, DIMENSIONAL TOLERANCES ARE: (.X) ± (XXX) ± (.XX) ± .03 (.8) ANGLES ±	
THIRD ANGLE PROJECTION	
DRAWN BY JNHU	DATE 7-19-01
CHK HIW	SCALE NONE
DRAWING NUMBER: 37847-74	
SHT 1 OF 1	
SIZE A	

2

1

D10100DA/20