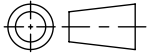
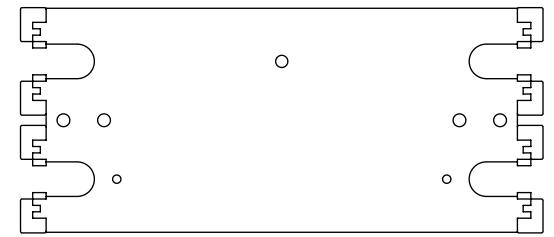
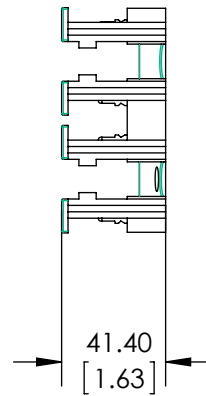
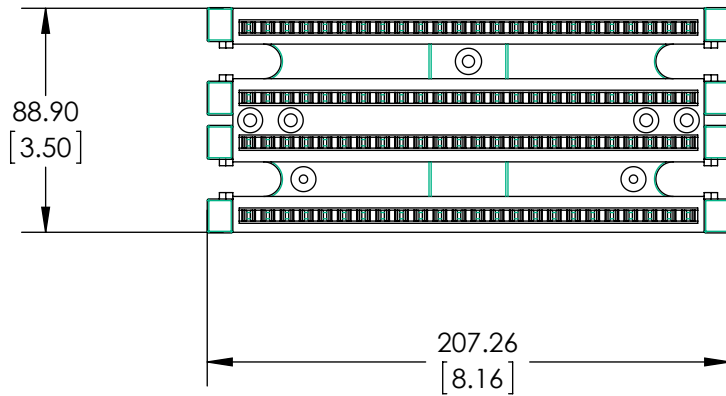
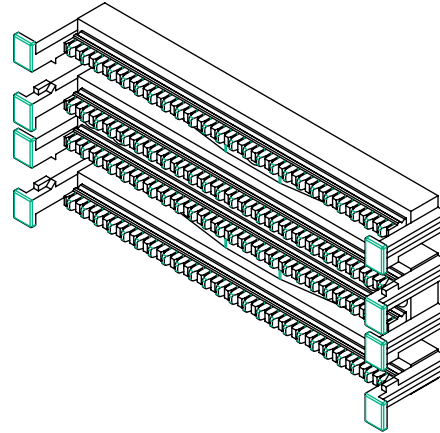
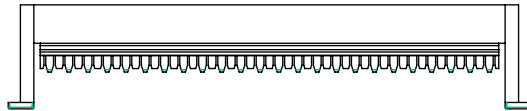


SW2014



Revision level			Revision Record	Changed	Date	Approved	Date
Drawing	State	Part					
00.0	Design Release		SEE ECN# 013472	GRW	6/17/2016	KAC	6/17/2016



Material
POLYCARBONATE

Units: **millimeters**
Dimension without tolerances details to:
.XXX = ±.013
.XX = ±.13
.X = ±.3
None = ±.8
∠ = ±0.5°
Dimension Formatted mm/[in]

The copyright of this drawing is reserved by HellermannTyton. It is issued on condition that it is not reproduced, copied, or disclosed to a third party, either wholly or in part, without the consent of HellermannTyton.

Drawn	GRW	6/16/2016
Approved	KAC	6/16/2016

HellermannTyton
North America
Email: corp@htamericas.com
Web: www.hellermann.tyton.com

Article/Type-No 853-19230 / T110WB96

Title **CAT6 96 PAIR 110 WIRING BLOCK WITHOUT LEGS**

Drawing-No PRODUCTION : Phase
16-1247-001-CSU

Scale 1:1
Project Number PRP 16-1247
Format AH
Sheet 1/1