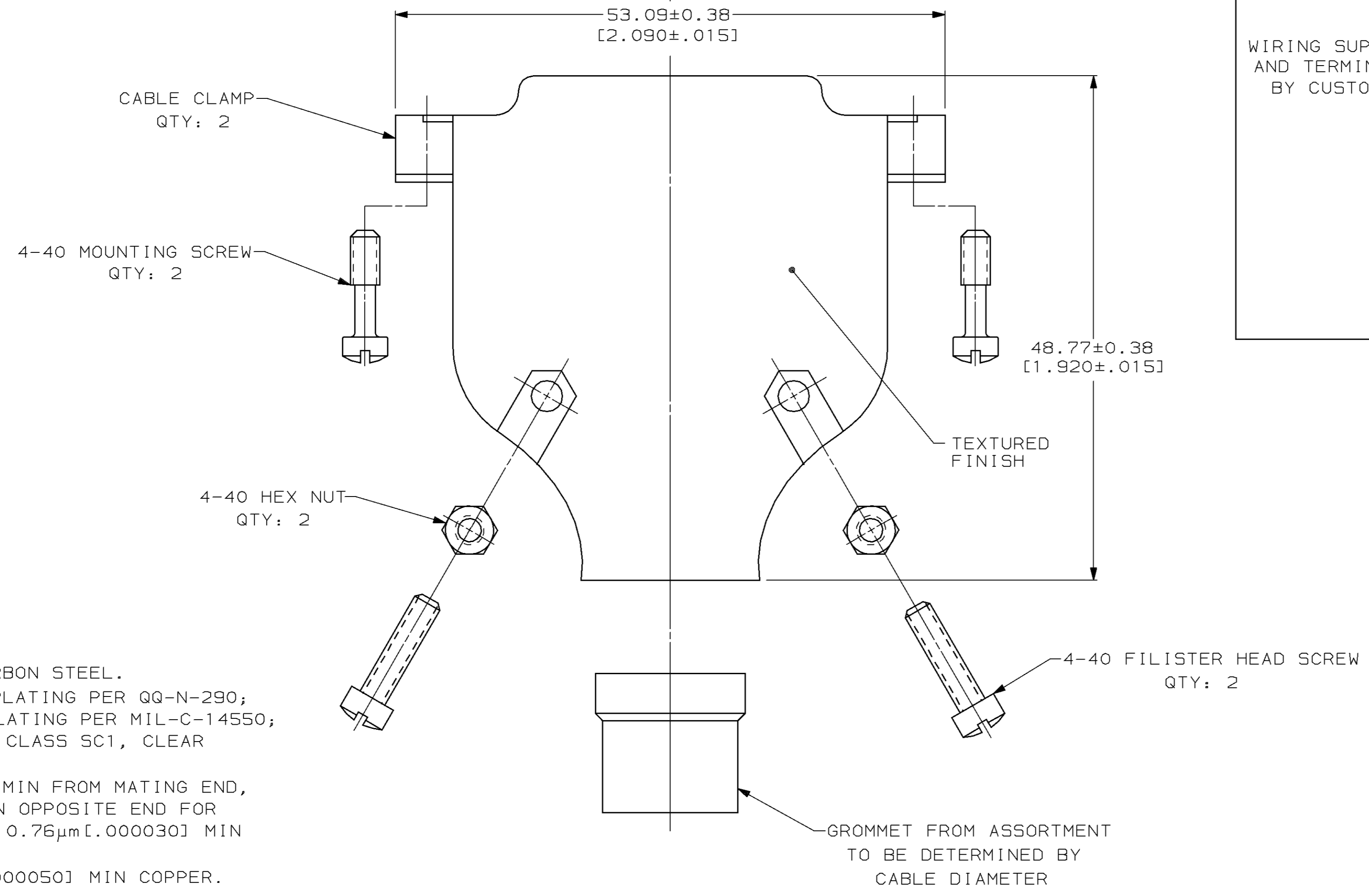
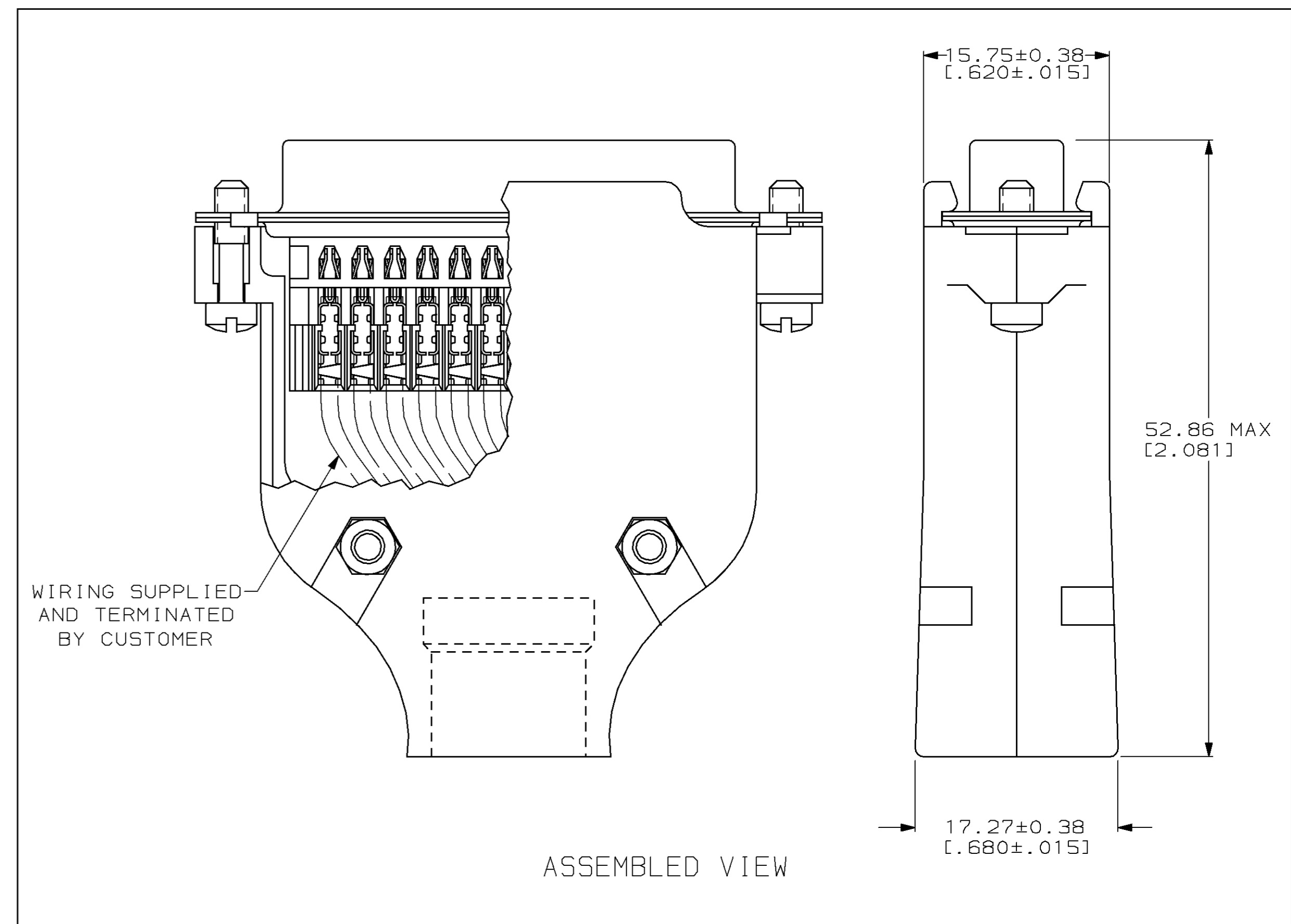
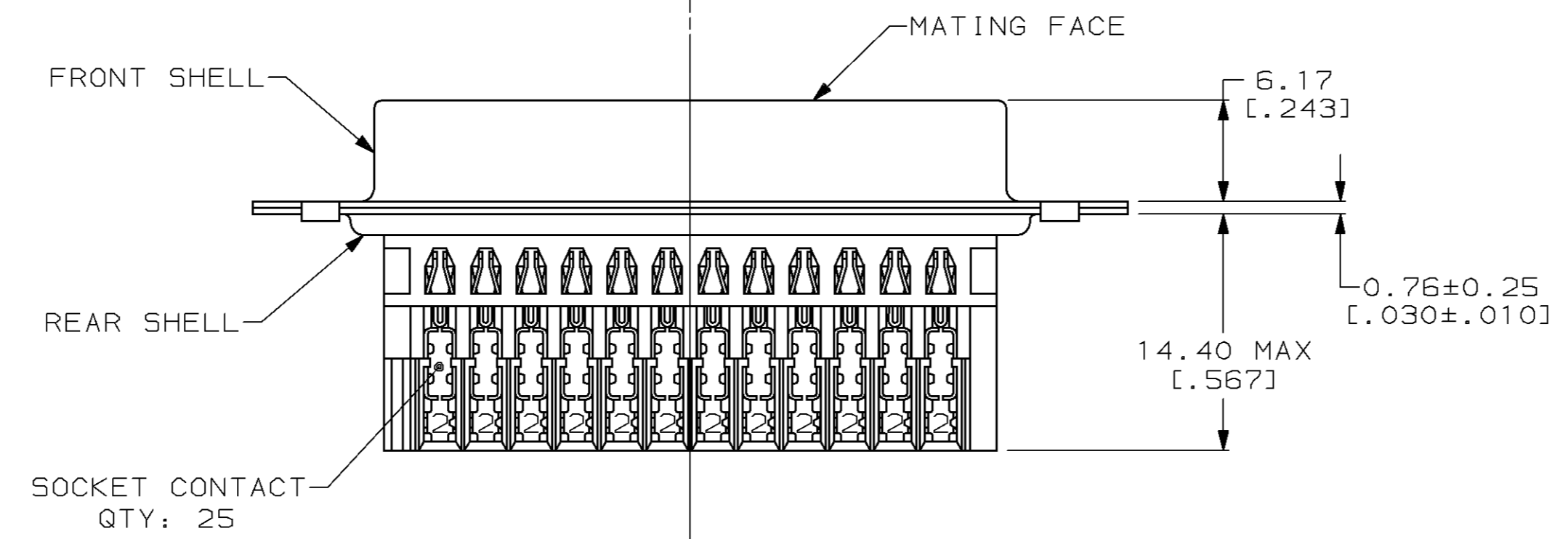
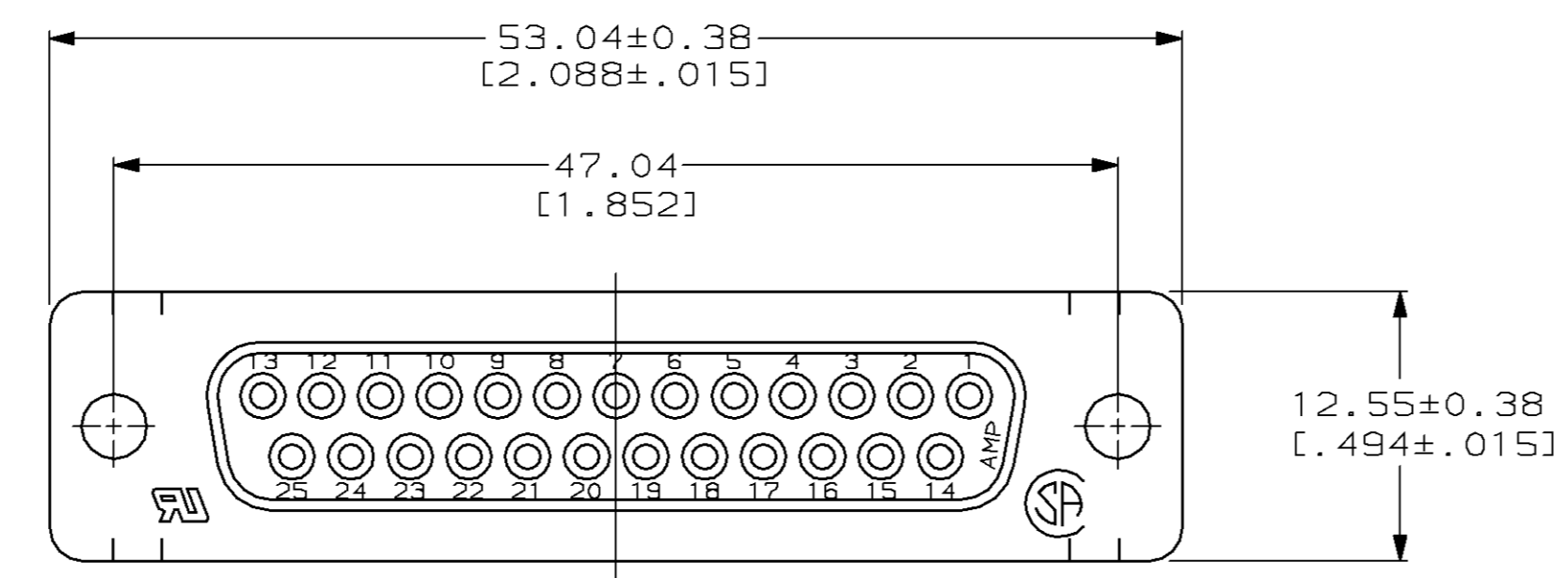
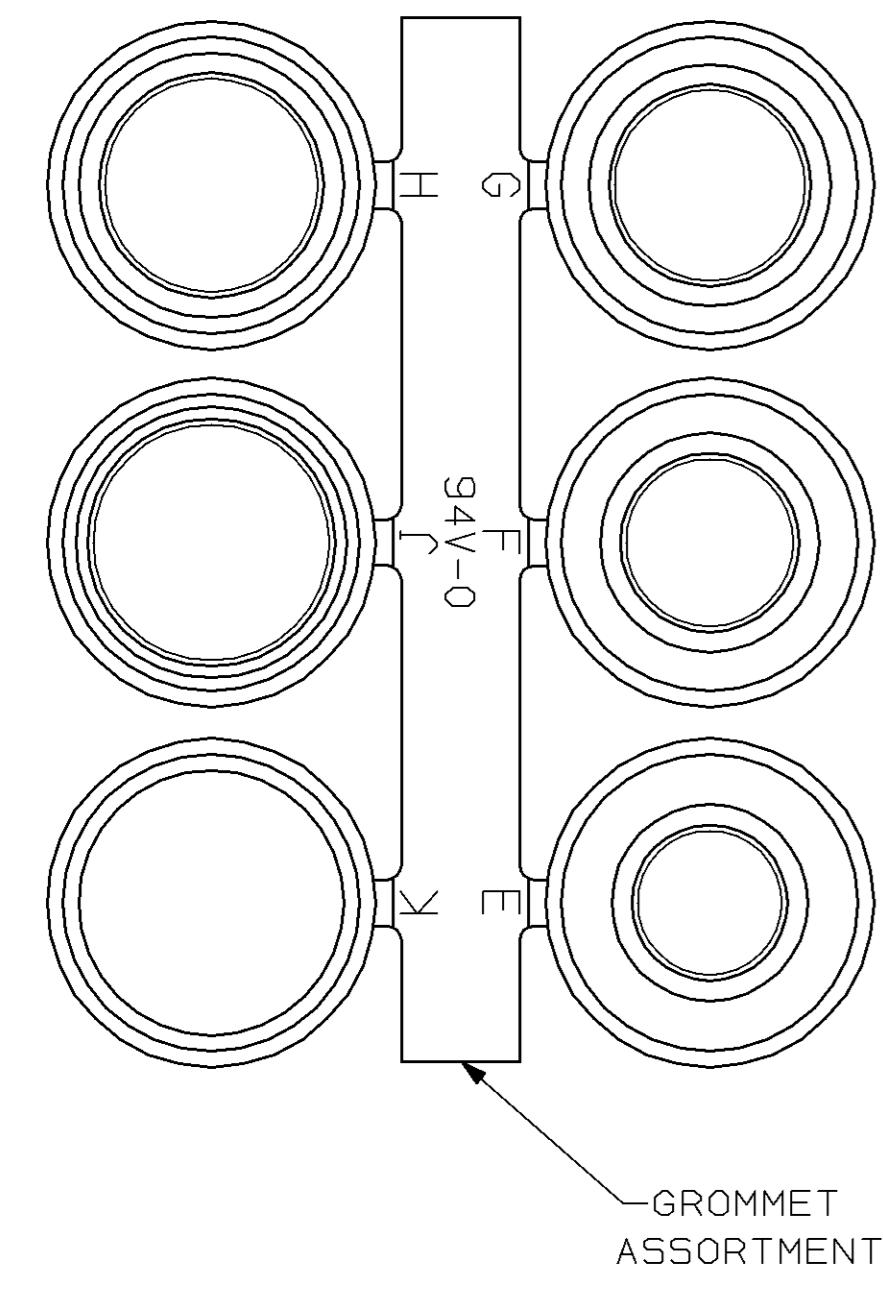


LOC		DIST		P		F		ZONE		LTR		REVISIONS			
BD			48									DESCRIPTION	DATE	APPD	
												0	RELEASED PER NPR 2503	1-22-90	-
												A	REV PER EC 0020-117-93	03/17/93	SB
												B	REV PER EC 0020-309-95	05/04/95	JS
												C	REV PER EC 0020-881-95	25 AUG 95	JS



1. CONTACTS ACCEPT 22-26 AWG RANGE.
2. POLYESTER OR NYLON, GLASS FILLED, UL 94V-0 RATED, BLACK.
3. PVC, UL 94V-0 RATED, BLACK.
4. PHOSPHOR BRONZE PER ASTM B 103.
5. CARBON STEEL.
6. CABLE CLAMPS: ZINC; SCREWS & NUTS: CARBON STEEL.
7. GOLD PLATING PER MIL-G-45204; NICKEL PLATING PER QQ-N-290; TIN PLATING PER MIL-T-10727; COPPER PLATING PER MIL-C-14550; ZINC PLATING PER ASTM B633, TYPE III, CLASS SC1, CLEAR CHROMATE.
8. GOLD FLASH FOR A LENGTH OF 2.54 [0.100] MIN FROM MATING END, 2.54µm [0.000100] MIN TIN OR TIN-LEAD ON OPPOSITE END FOR A LENGTH OF 6.60 [0.260] MIN, BOTH OVER 0.76µm [0.000030] MIN NICKEL ON ENTIRE CONTACT.
9. 5.08µm [0.000200] MIN TIN OVER 1.27µm [0.000050] MIN COPPER.
10. MOUNTING SCREWS & NUTS: 3.81µm [0.000150] MIN ZINC; FILISTER HEAD SCREWS: ZINC.

DO NOT SCALE PRINT. UNLESS SPECIFIED DIMENSIONS IN mm [INCHES]		DR 1-22-90 W.G. LENKER		AMP INCORPORATED Harrisburg, Pa. 17105	
TOLERANCES: ON ;		CHK 6-4-90 R STONE			
2 PLC DEC ± 0.13 [0.005]		APPD 6-5-90 B TAYLOR		NAME RECEPTACLE KIT, UNASSEMBLED, SIZE 3, 25 POSITION, METAL SHELL, AMPLIMITE® HDE-20	
3 PLC DEC ± -		APPD 6-6-90 J ASSINI		PRODUCT SPEC 108-40011	
ANGLES ± -		FINISH		APPLICATION SPEC 114-40003	
MATERIAL		CONTACTS: △ SHELLS: △		SIZE D 00779	
HOUSING: △ GROMMETS: △		SHELLS: △ HARDWARE: △		CAGE CODE 00779	
CONTACTS: △ SHELLS: △		HARDWARE: △		DRAWING NO 749814-3	
WEIGHT -		SCALE 3:1		SHEET 1 OF 1	