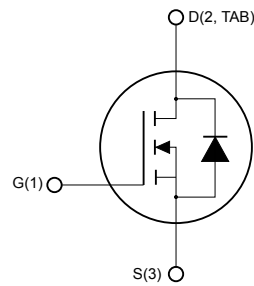
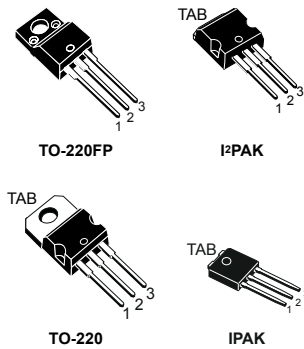


N-channel 600 V, 280 mΩ typ., 11 A MDmesh II Power MOSFETs
in a TO-220FP, I²PAK, TO-220 and IPAK packages



NG1D2TS3



Features

Order codes	V _{DS}	R _{DS(on)} max.	I _D
STF13NM60N	600 V	360 mΩ	11 A
STI13NM60N			
STP13NM60N			
STU13NM60N			

- 100% avalanche tested
- Low input capacitance and gate charge
- Low gate input resistance

Applications

- Switching applications

Description

These devices are N-channel Power MOSFETs developed using the second generation of MDmesh technology. These revolutionary Power MOSFETs associate a vertical structure to the company's strip layout to yield one of the world's lowest on-resistance and gate charge. They are therefore suitable for the most demanding high-efficiency converters.

Product status link

[STF13NM60N](#)

[STI13NM60N](#)

[STP13NM60N](#)

[STU13NM60N](#)

1 Electrical ratings

Table 1. Absolute maximum ratings

Symbol	Parameter	Value		Unit
		TO-220FP	I ² PAK, TO-220, IPAK	
V _{DS}	Drain-source voltage	600		V
V _{GS}	Gate-source voltage	±25		V
I _D	Drain current (continuous) at T _C = 25 °C	11 ⁽¹⁾	11	A
	Drain current (continuous) at T _C = 100 °C	6.9 ⁽¹⁾	6.9	
I _{DM} ⁽²⁾	Drain current pulsed	44 ⁽¹⁾	44	A
P _{TOT}	Total power dissipation at T _C = 25 °C	25	90	W
dv/dt ⁽³⁾	Peak diode recovery voltage slope	15		V/ns
V _{ISO}	Insulation withstand voltage (RMS) from all three leads to external heat sink (t = 1 s, T _C = 25 °C)	2.5		kV
T _J	Operating junction temperature range	-55 to 150		°C
T _{stg}	Storage temperature range			°C

1. Limited by maximum junction temperature.
2. Pulse width limited by safe operating area.
3. I_{SD} ≤ 11 A, di/dt ≤ 400 A/μs, V_{DD} = 80% V_{(BR)DSS}.

Table 2. Thermal data

Symbol	Parameter	Value			Unit
		TO-220FP	I ² PAK, TO-220	IPAK	
R _{thj-case}	Thermal resistance junction-case	5	1.39		°C/W
R _{thj-a}	Thermal resistance junction-ambient	62.5		100	°C/W

Table 3. Avalanche characteristics

Symbol	Parameter	Value	Unit
I _{AS}	Avalanche current, repetitive or not repetitive (pulse width limited by T _J max)	3.5	A
E _{AS}	Single-pulse avalanche energy (starting T _J = 25 °C, I _D = I _{AS} , V _{DD} = 50 V)	200	mJ

2 Electrical characteristics

($T_C = 25\text{ °C}$ unless otherwise specified)

Table 4. Static

Symbol	Parameter	Test conditions	Min.	Typ.	Max.	Unit
$V_{(BR)DSS}$	Drain-source breakdown voltage	$V_{GS} = 0\text{ V}$, $I_D = 1\text{ mA}$	600			V
I_{DSS}	Zero gate voltage drain current	$V_{GS} = 0\text{ V}$, $V_{DS} = 600\text{ V}$			1	μA
		$V_{GS} = 0\text{ V}$, $V_{DS} = 600\text{ V}$, $T_C = 125\text{ °C}$ ⁽¹⁾			100	
I_{GSS}	Gate-body leakage current	$V_{DS} = 0\text{ V}$, $V_{GS} = \pm 25\text{ V}$			± 100	nA
$V_{GS(th)}$	Gate threshold voltage	$V_{DS} = V_{GS}$, $I_D = 250\text{ }\mu\text{A}$	2	3	4	V
$R_{DS(on)}$	Static drain-source on-resistance	$V_{GS} = 10\text{ V}$, $I_D = 5.5\text{ A}$		280	360	m Ω

1. Defined by design, not subject to production test.

Table 5. Dynamic

Symbol	Parameter	Test conditions	Min.	Typ.	Max.	Unit
C_{iss}	Input capacitance	$V_{DS} = 50\text{ V}$, $f = 1\text{ MHz}$, $V_{GS} = 0\text{ V}$	-	790	-	pF
C_{oss}	Output capacitance		-	60	-	pF
C_{rss}	Reverse transfer capacitance		-	3.6	-	pF
$C_{oss\text{ eq.}}^{(1)}$	Equivalent output capacitance	$V_{DS} = 0\text{ to }480\text{ V}$, $V_{GS} = 0\text{ V}$	-	135	-	pF
Q_g	Total gate charge	$V_{DD} = 480\text{ V}$, $I_D = 11\text{ A}$, $V_{GS} = 0\text{ to }10\text{ V}$ (see Figure 17. Test circuit for gate charge behavior)	-	27	-	nC
Q_{gs}	Gate-source charge		-	4	-	nC
Q_{gd}	Gate-drain charge		-	14	-	nC
R_g	Gate input resistance		$f = 1\text{ MHz}$, open drain	-	4.7	-

1. $C_{oss\text{ eq.}}$ is defined as a constant equivalent capacitance giving the same charging time as C_{oss} when V_{DS} increases from 0 to 80% V_{DSS} .

Table 6. Switching times

Symbol	Parameter	Test conditions	Min.	Typ.	Max.	Unit
$t_{d(on)}$	Turn-on delay time	$V_{DD} = 300\text{ V}$, $I_D = 5.5\text{ A}$, $R_G = 4.7\text{ }\Omega$, $V_{GS} = 10\text{ V}$	-	3	-	ns
t_r	Rise time		-	8	-	ns
$t_{d(off)}$	Turn-off delay time	(see Figure 16. Test circuit for resistive load switching times and Figure 21. Switching time waveform)	-	30	-	ns
t_f	Fall time		-	10	-	ns

Table 7. Source-drain diode

Symbol	Parameter	Test conditions	Min.	Typ.	Max.	Unit
I_{SD}	Source-drain current		-		11	A
$I_{SDM}^{(1)}$	Source-drain current (pulsed)		-		44	A
$V_{SD}^{(2)}$	Forward on voltage	$V_{GS} = 0\text{ V}$, $I_{SD} = 11\text{ A}$	-		1.5	V
t_{rr}	Reverse recovery time	$I_{SD} = 11\text{ A}$, $di/dt = 100\text{ A}/\mu\text{s}$,	-	230		ns
Q_{rr}	Reverse recovery charge	$V_{DD} = 100\text{ V}$	-	2		μC
I_{RRM}	Reverse recovery current	(see Figure 18. Test circuit for inductive load switching and diode recovery times)	-	18		A
t_{rr}	Reverse recovery time	$I_{SD} = 11\text{ A}$, $di/dt = 100\text{ A}/\mu\text{s}$,	-	290		ns
Q_{rr}	Reverse recovery charge	$V_{DD} = 100\text{ V}$, $T_J = 150\text{ }^\circ\text{C}$	-	2.5		μC
I_{RRM}	Reverse recovery current	(see Figure 18. Test circuit for inductive load switching and diode recovery times)	-	17		A

1. Pulse width is limited by safe operating area.

2. Pulse test: pulse duration = 300 μs , duty cycle 1.5%.

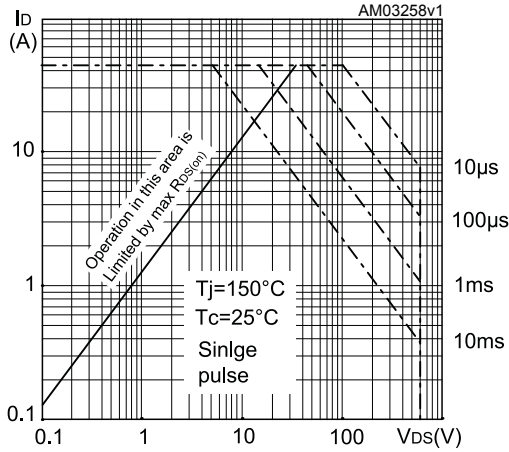
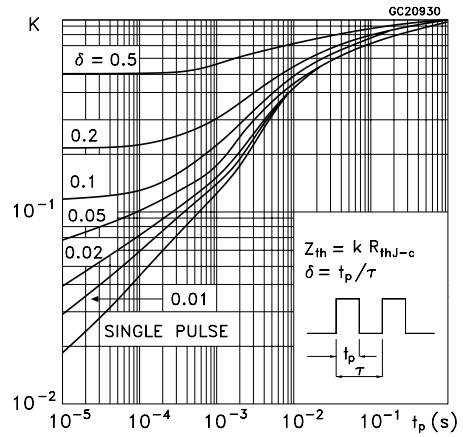
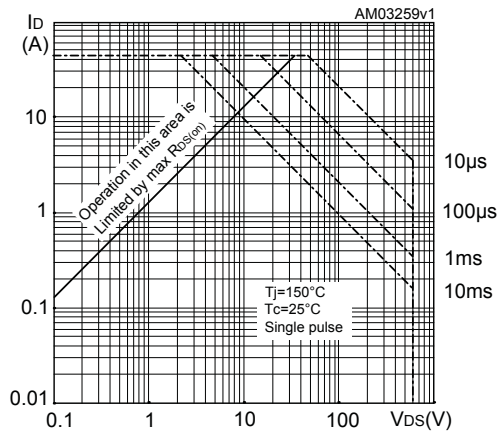
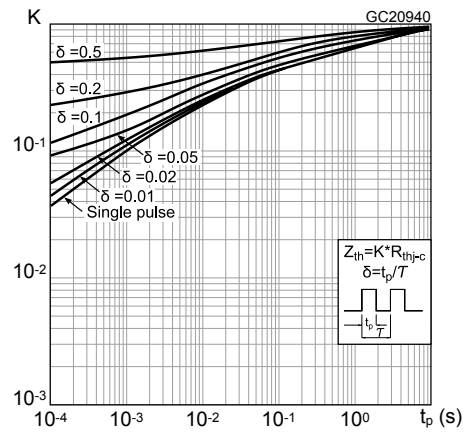
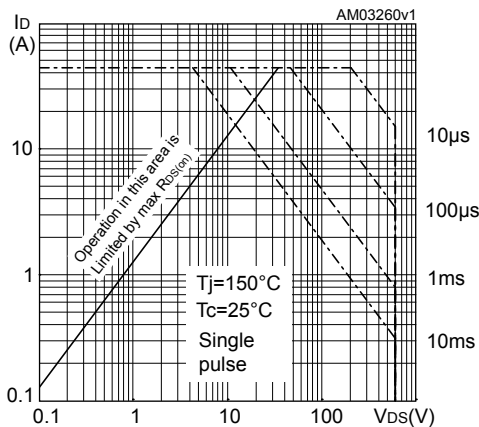
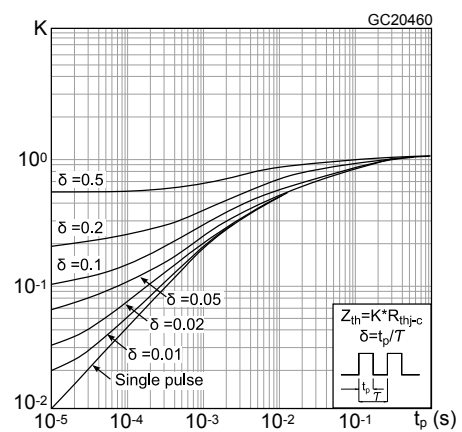
2.1 Electrical characteristics (curves)
Figure 1. Safe operating area for I²PAK and TO-220

Figure 2. Thermal impedance for I²PAK and TO-220

Figure 3. Safe operating area for TO-220FP

Figure 4. Thermal impedance for TO-220FP

Figure 5. Safe operating area for IPAK

Figure 6. Thermal impedance for IPAK


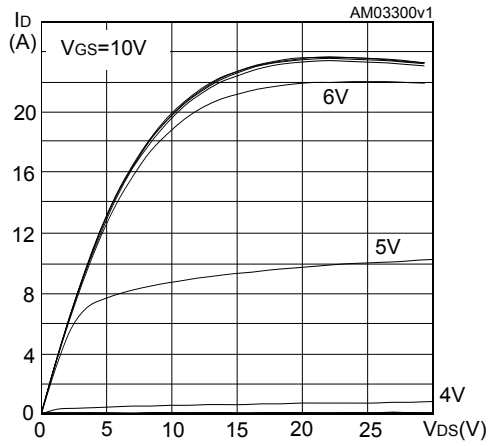
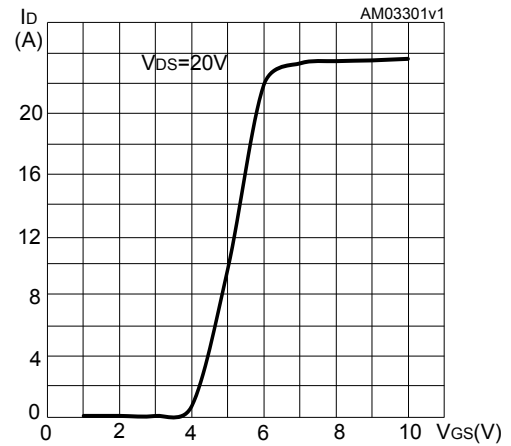
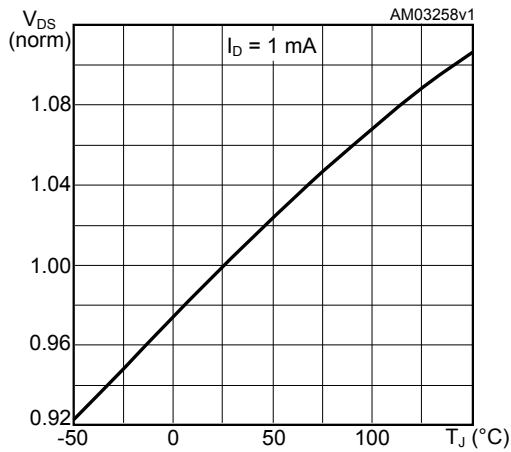
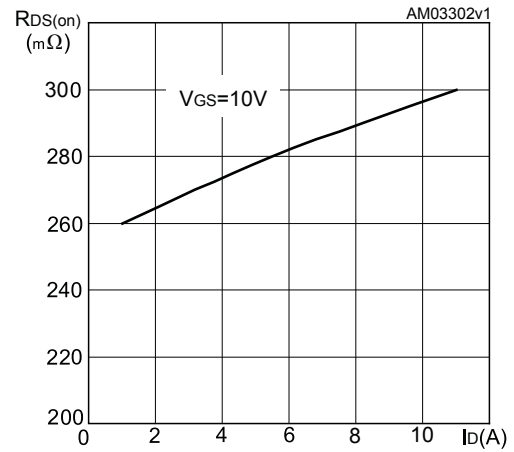
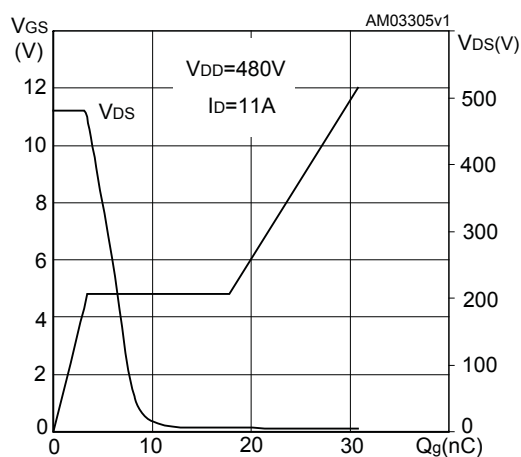
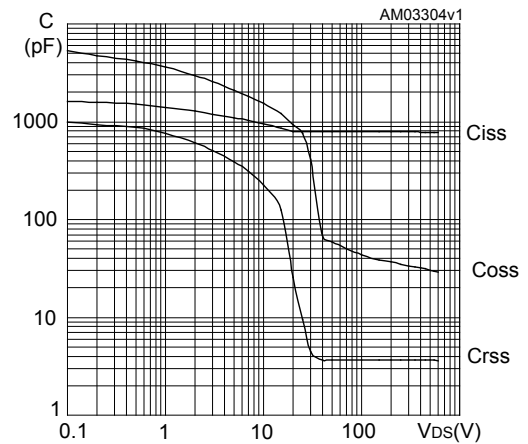
Figure 7. Output characteristics

Figure 8. Transfer characteristics

Figure 9. Normalized V_{DS} vs temperature

Figure 10. Static drain-source on-resistance

Figure 11. Gate charge vs gate-source voltage

Figure 12. Capacitance variations


Figure 13. Normalized gate threshold voltage vs temperature

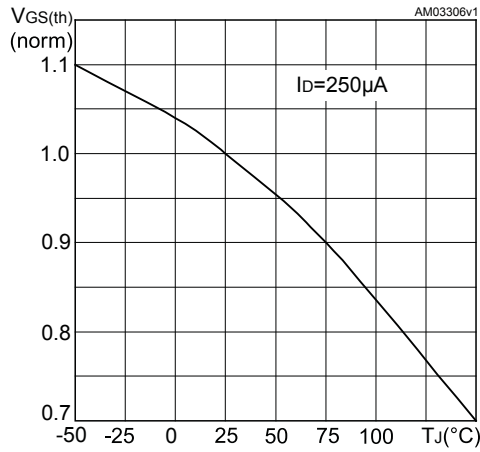


Figure 14. Normalized on resistance vs temperature

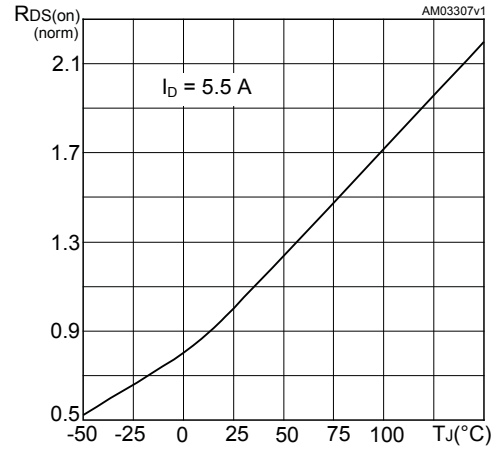
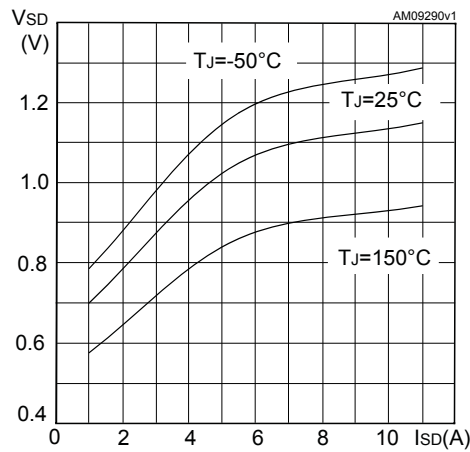
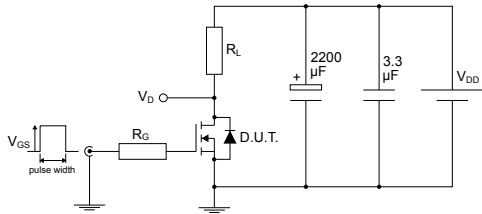


Figure 15. Source-drain diode forward characteristics



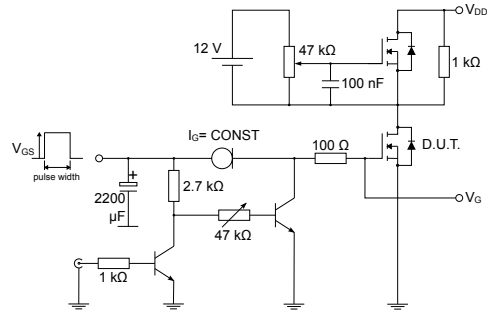
3 Test circuits

Figure 16. Test circuit for resistive load switching times



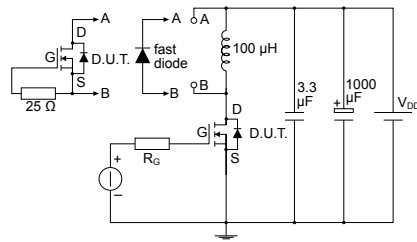
AM01468v1

Figure 17. Test circuit for gate charge behavior



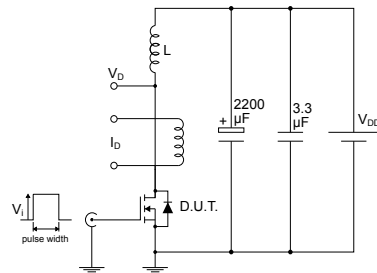
AM01469v1

Figure 18. Test circuit for inductive load switching and diode recovery times



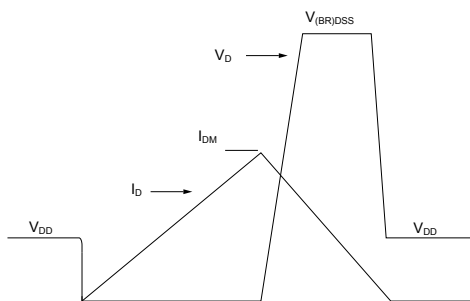
AM01470v1

Figure 19. Unclamped inductive load test circuit



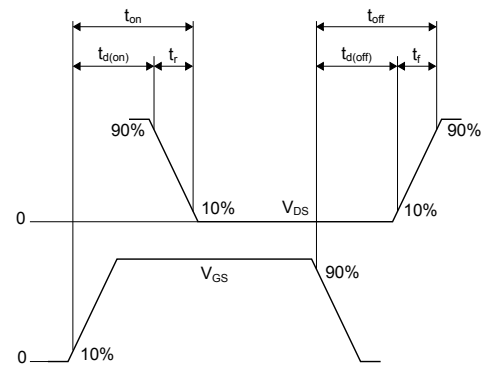
AM01471v1

Figure 20. Unclamped inductive waveform



AM01472v1

Figure 21. Switching time waveform



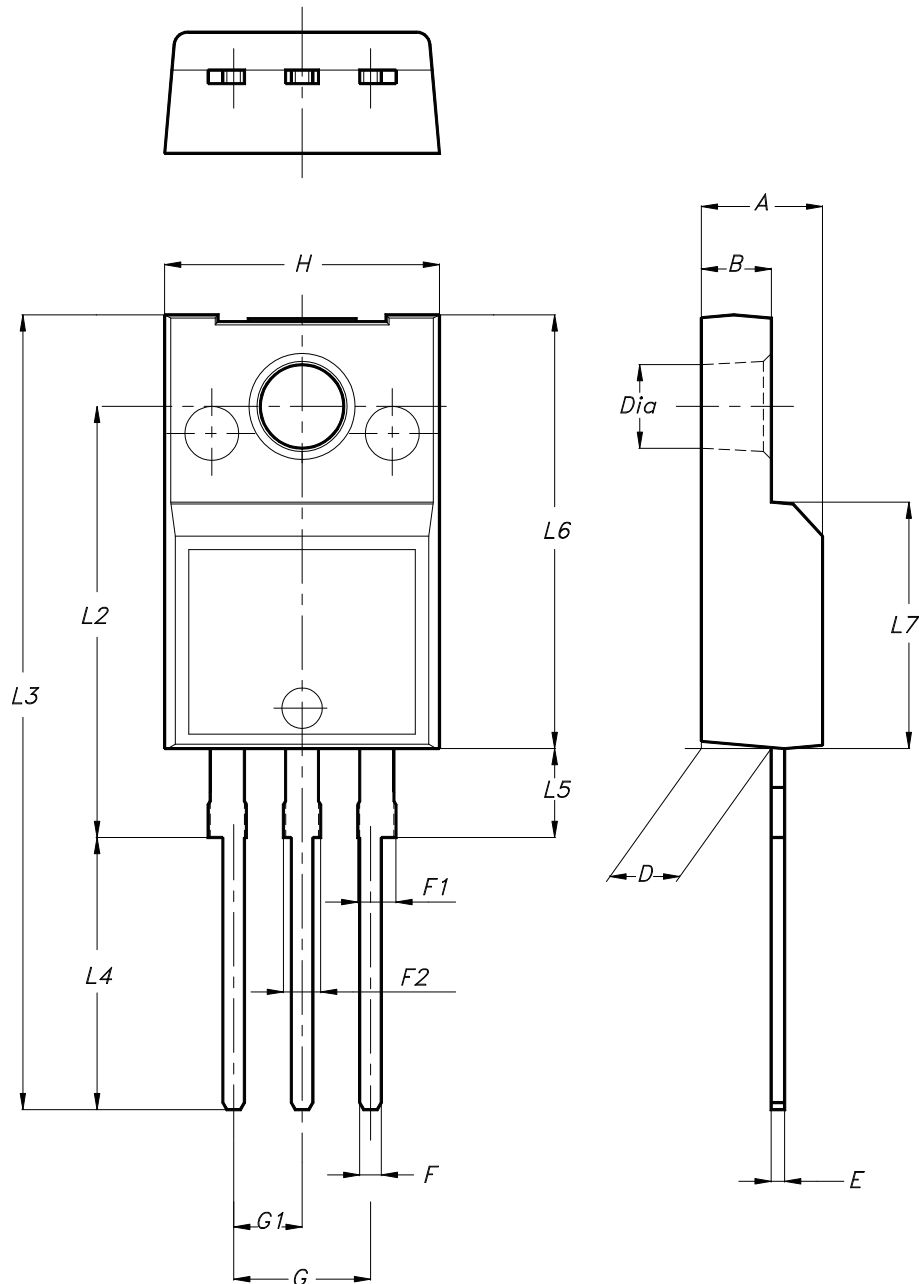
AM01473v1

4 Package information

In order to meet environmental requirements, ST offers these devices in different grades of **ECOPACK** packages, depending on their level of environmental compliance. ECOPACK specifications, grade definitions and product status are available at: www.st.com. ECOPACK is an ST trademark.

4.1 TO-220FP package information

Figure 22. TO-220FP package outline



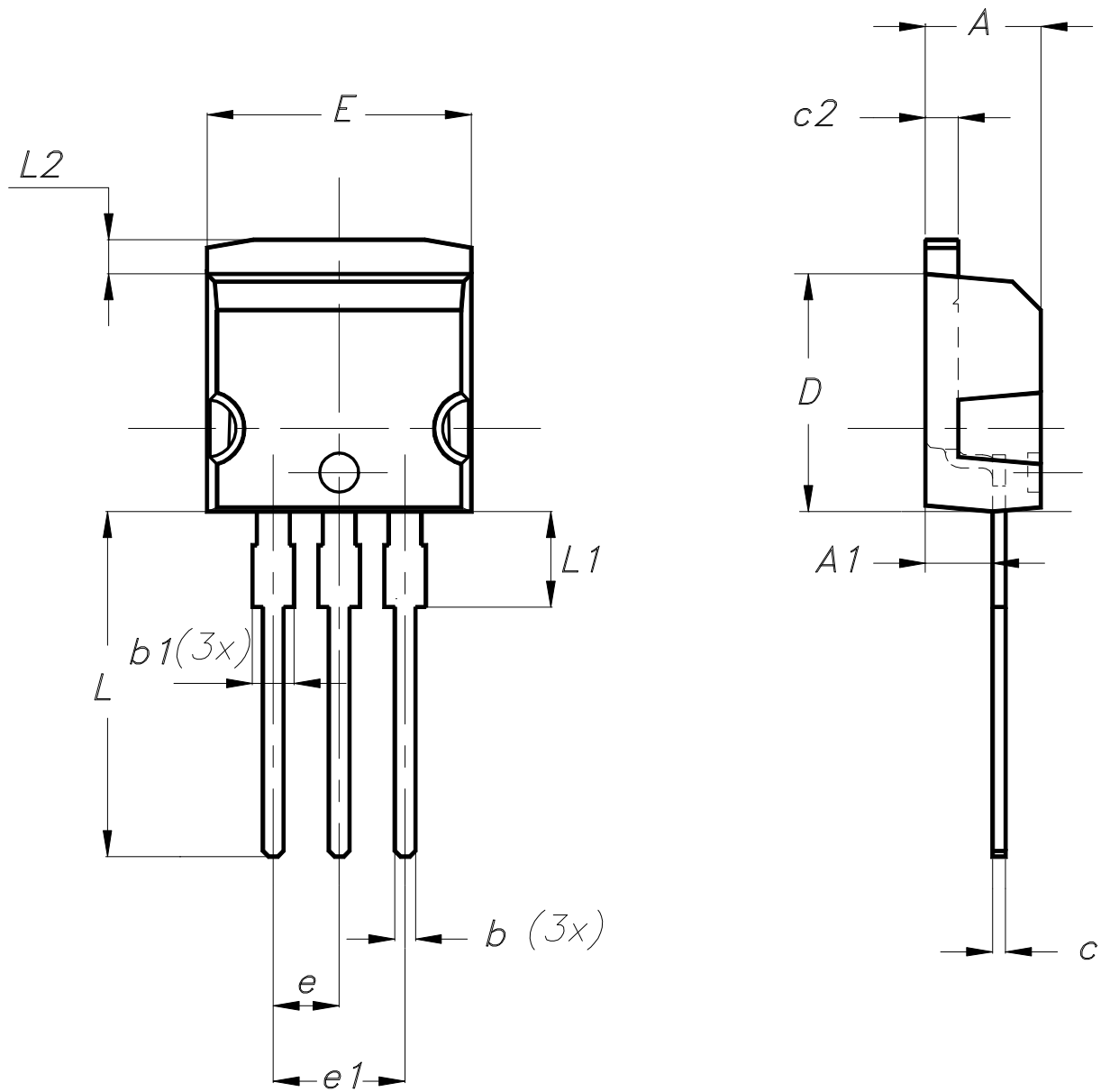
7012510_Rev_13_B

Table 8. TO-220FP package mechanical data

Dim.	mm		
	Min.	Typ.	Max.
A	4.40		4.60
B	2.50		2.70
D	2.50		2.75
E	0.45		0.70
F	0.75		1.00
F1	1.15		1.70
F2	1.15		1.70
G	4.95		5.20
G1	2.40		2.70
H	10.00		10.40
L2		16.00	
L3	28.60		30.60
L4	9.80		10.60
L5	2.90		3.60
L6	15.90		16.40
L7	9.00		9.30
Dia	3.00		3.20

4.2 I²PAK package information

Figure 23. I²PAK package outline



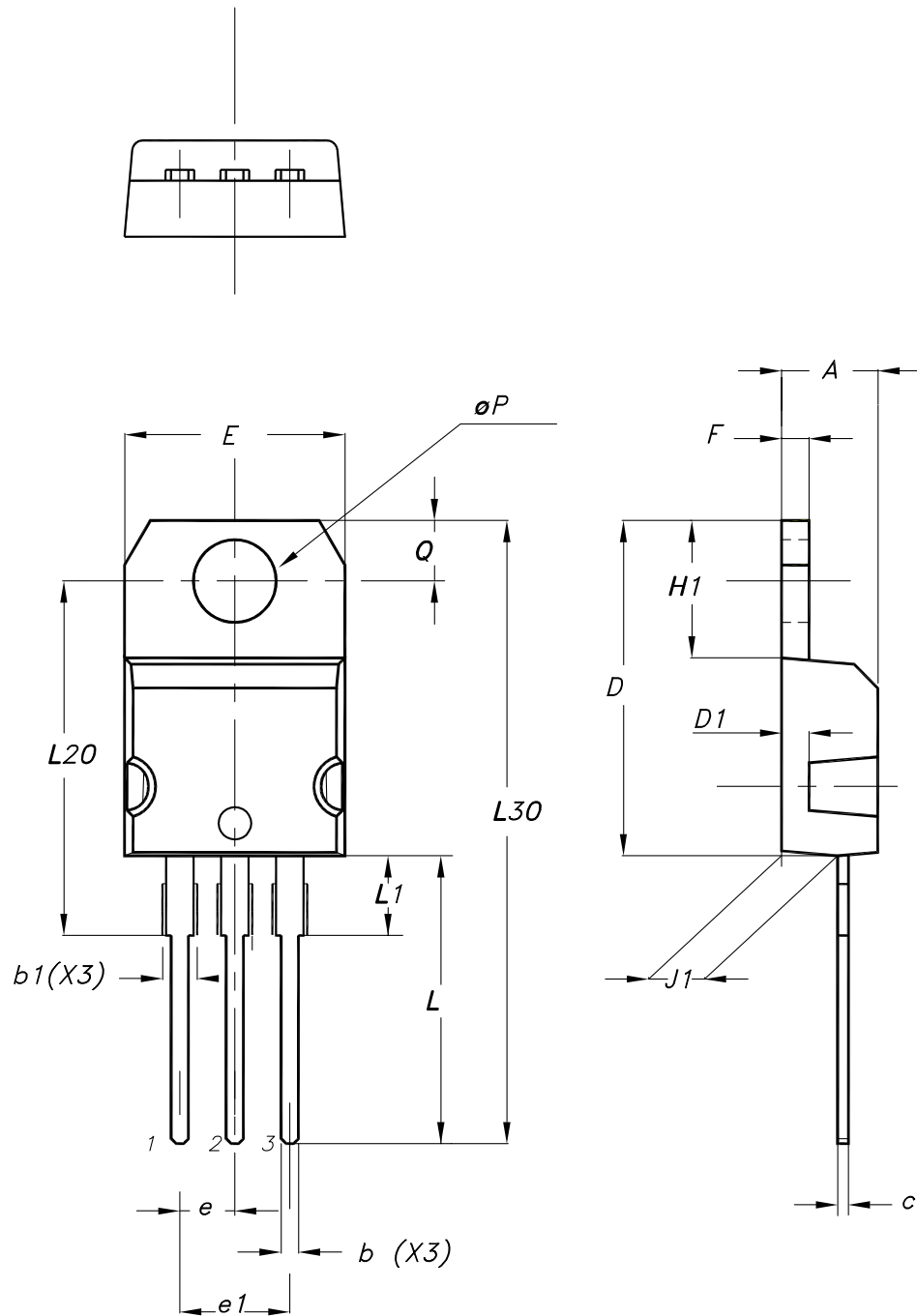
0004982_Rev_9

Table 9. I²PAK package mechanical data

Dim.	mm		
	Min.	Typ.	Max.
A	4.40	-	4.60
A1	2.40	-	2.72
b	0.61	-	0.88
b1	1.14	-	1.70
c	0.49	-	0.70
c2	1.23	-	1.32
D	8.95	-	9.35
e	2.40	-	2.70
e1	4.95	-	5.15
E	10.00	-	10.40
L	13.00	-	14.00
L1	3.50	-	3.93
L2	1.27	-	1.40

4.3 TO-220 type A package information

Figure 24. TO-220 type A package outline



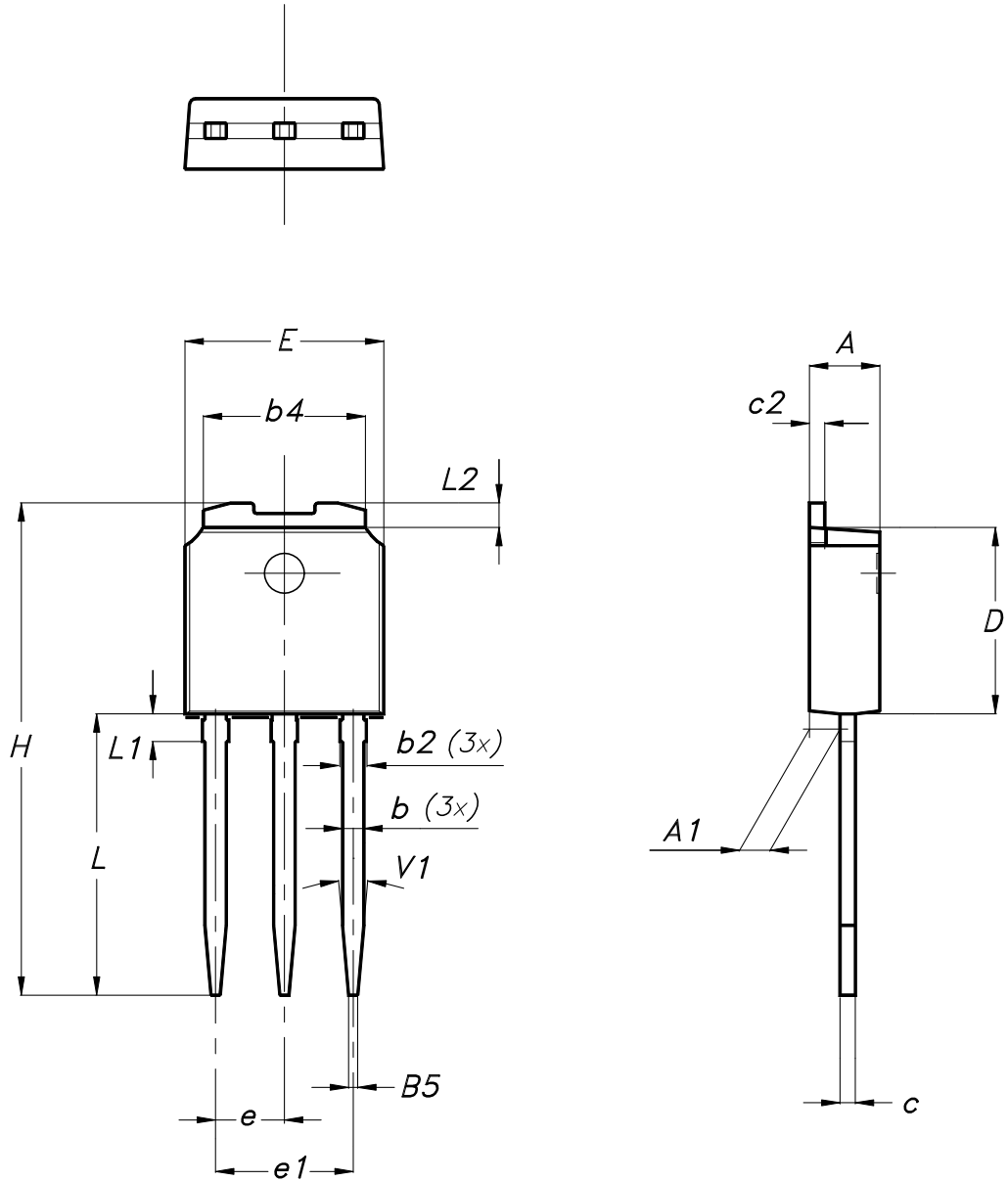
0015988_typeA_Rev_23

Table 10. TO-220 type A package mechanical data

Dim.	mm		
	Min.	Typ.	Max.
A	4.40		4.60
b	0.61		0.88
b1	1.14		1.55
c	0.48		0.70
D	15.25		15.75
D1		1.27	
E	10.00		10.40
e	2.40		2.70
e1	4.95		5.15
F	1.23		1.32
H1	6.20		6.60
J1	2.40		2.72
L	13.00		14.00
L1	3.50		3.93
L20		16.40	
L30		28.90	
øP	3.75		3.85
Q	2.65		2.95
Slug flatness		0.03	0.10

4.4 IPAK (TO-251) type A package information

Figure 25. IPAK (TO-251) type A package outline



0068771_IK_typeA_rev15

Table 11. IPAK (TO-251) type A package mechanical data

Dim.	mm		
	Min.	Typ.	Max.
A	2.20		2.40
A1	0.90		1.10
b	0.64		0.90
b2			0.95
b4	5.20		5.40
B5		0.30	
c	0.45		0.60
c2	0.48		0.60
D	6.00		6.20
E	6.40		6.60
e		2.28	
e1	4.40		4.60
H		16.10	
L	9.00		9.40
L1	0.80		1.20
L2		0.80	1.00
V1		10°	

5 Ordering information

Table 12. Order codes

Order codes	Marking	Package	Packing
STF13NM60N	13NM60N	TO-220FP	Tube
STI13NM60N		I ² PAK	
STP13NM60N		TO-220	
STU13NM60N		IPAK	

Revision history

Table 13. Document revision history

Date	Revision	Changes
29-Feb-2009	1	First release
13-Jan-2010	2	<ul style="list-style-type: none"> – Added new package, mechanical data: TO-247 – Added new package, mechanical data: D²PAK
08-Nov-2010	3	<ul style="list-style-type: none"> – Modified <i>Figure 4</i> – Added new package, mechanical data: I²PAK
18-Jan-2012	4	<ul style="list-style-type: none"> – Added new package, mechanical data: IPAK – Minor text changes
14-Nov-2012	5	<p>The part numbers STB13NM60N and STD13NM60N have been moved to a separate datasheet.</p> <p><i>Section 4: Package mechanical data</i> has been updated.</p>
26-Oct-2020	6	<p>The part number STW13NM60N have been moved to a separate datasheet and the document has been updated accordingly.</p> <p>Updated cover page.</p> <p>Updated Section 1 Electrical ratings.</p> <p>Updated Table 4. Static and Table 7. Source-drain diode.</p> <p>Updated Section 4 Package information.</p> <p>Added Section 5 Ordering information.</p> <p>Minor text changes.</p>

Contents

1	Electrical ratings	2
2	Electrical characteristics	3
2.1	Electrical characteristics (curves)	5
3	Test circuits	8
4	Package information	9
4.1	TO-220FP package information	9
4.2	I ² PAK package information	11
4.3	TO-220 type A package information	13
4.4	IPAK (TO-251) type A package information	15
5	Ordering information	17
	Revision history	18



IMPORTANT NOTICE – PLEASE READ CAREFULLY

STMicroelectronics NV and its subsidiaries (“ST”) reserve the right to make changes, corrections, enhancements, modifications, and improvements to ST products and/or to this document at any time without notice. Purchasers should obtain the latest relevant information on ST products before placing orders. ST products are sold pursuant to ST’s terms and conditions of sale in place at the time of order acknowledgement.

Purchasers are solely responsible for the choice, selection, and use of ST products and ST assumes no liability for application assistance or the design of Purchasers’ products.

No license, express or implied, to any intellectual property right is granted by ST herein.

Resale of ST products with provisions different from the information set forth herein shall void any warranty granted by ST for such product.

ST and the ST logo are trademarks of ST. For additional information about ST trademarks, please refer to www.st.com/trademarks. All other product or service names are the property of their respective owners.

Information in this document supersedes and replaces information previously supplied in any prior versions of this document.

© 2020 STMicroelectronics – All rights reserved