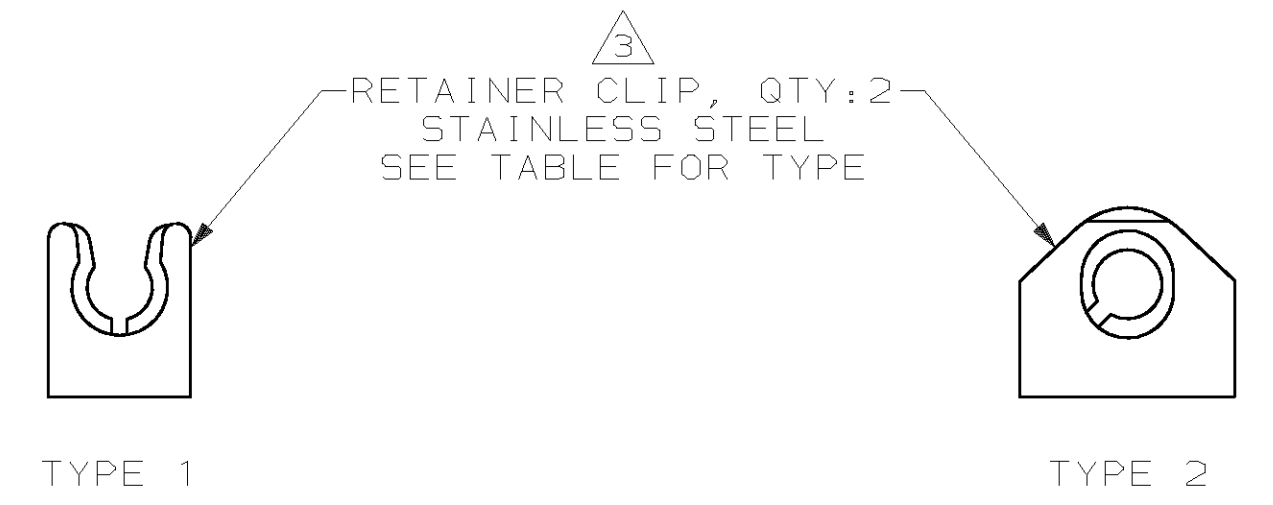
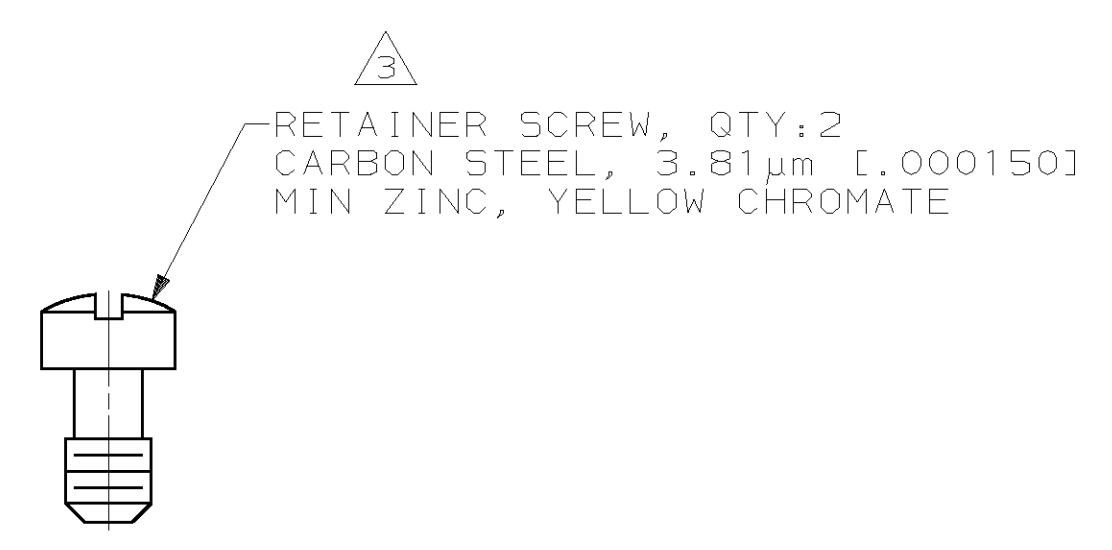
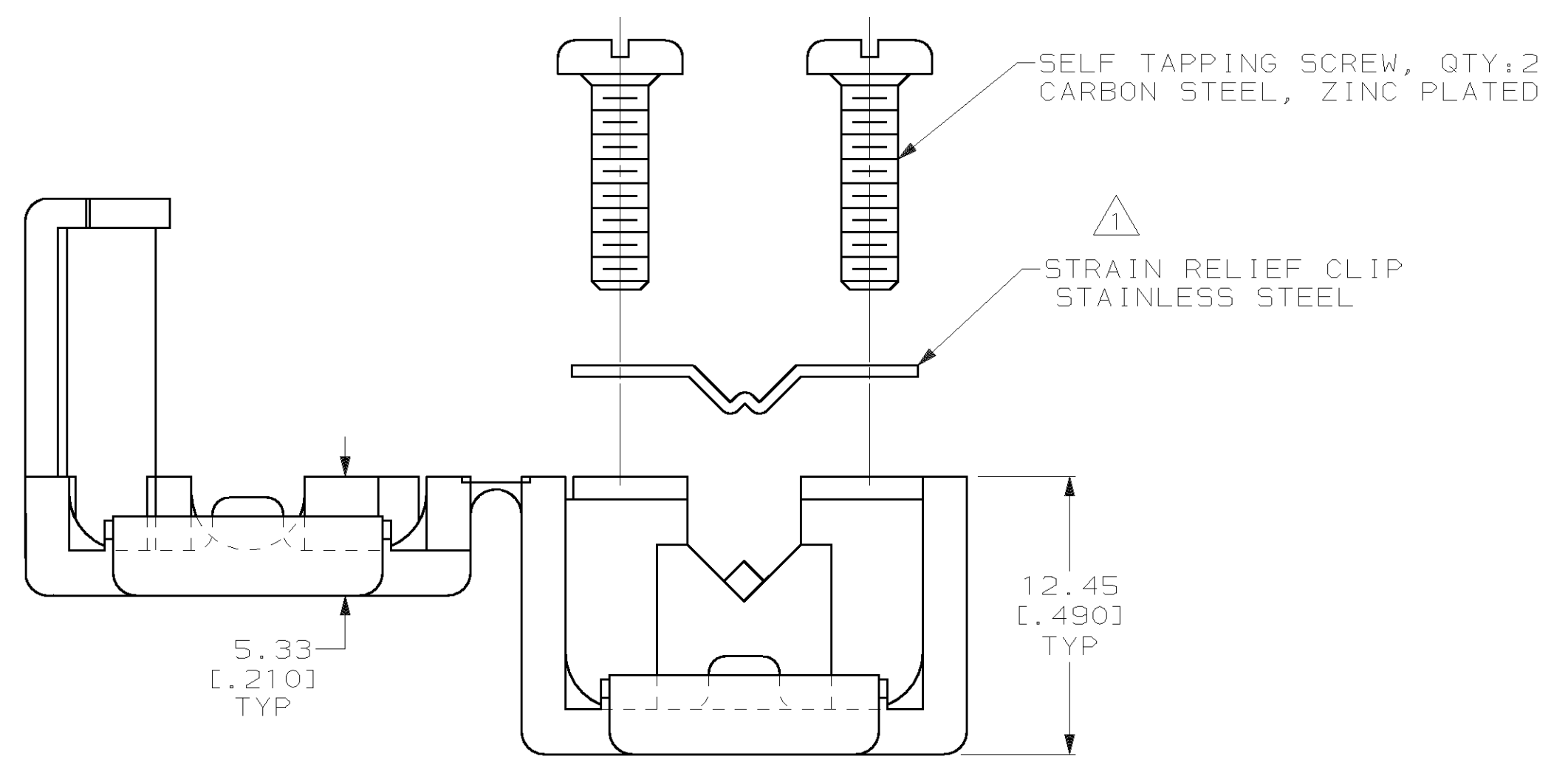
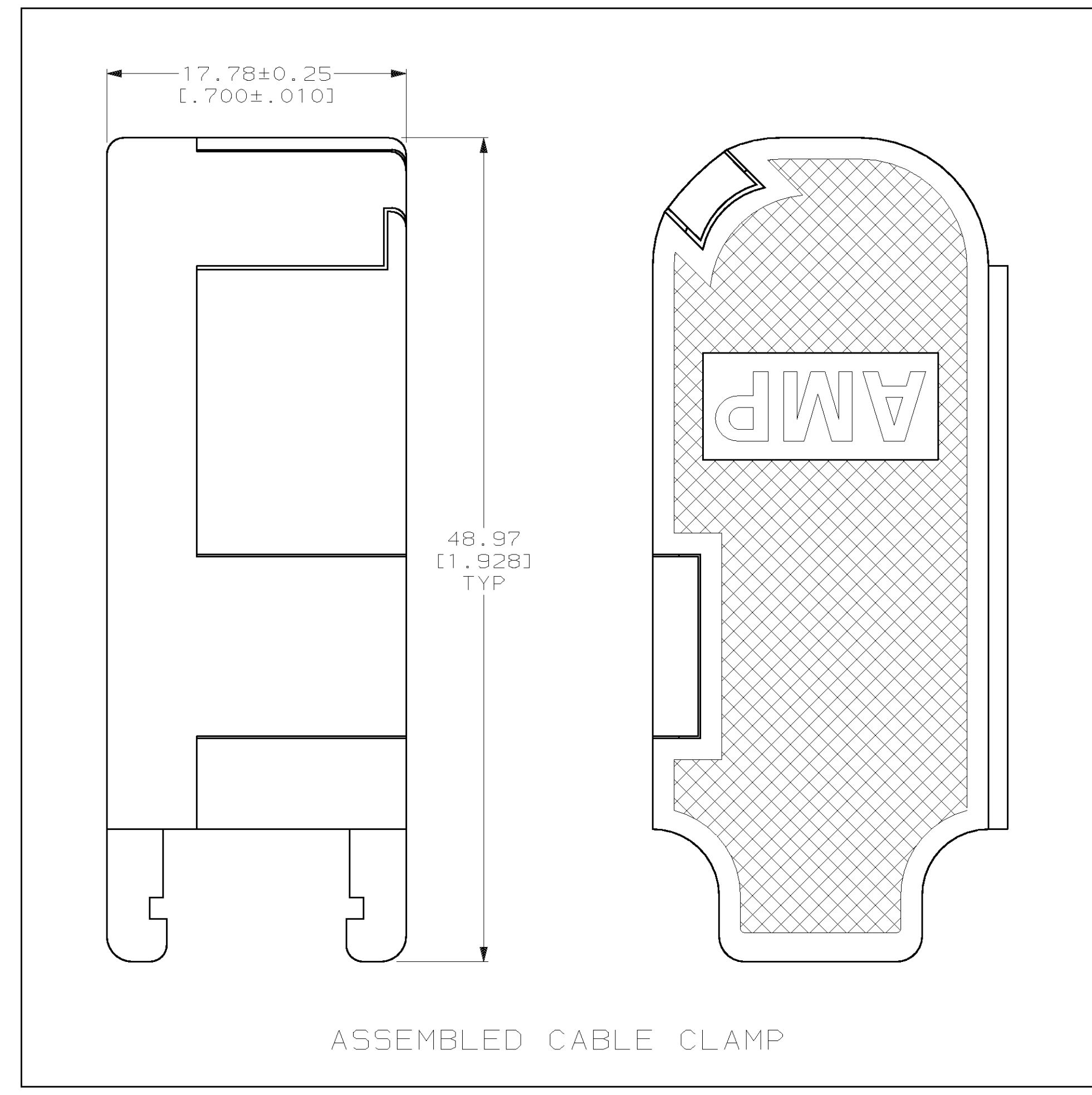
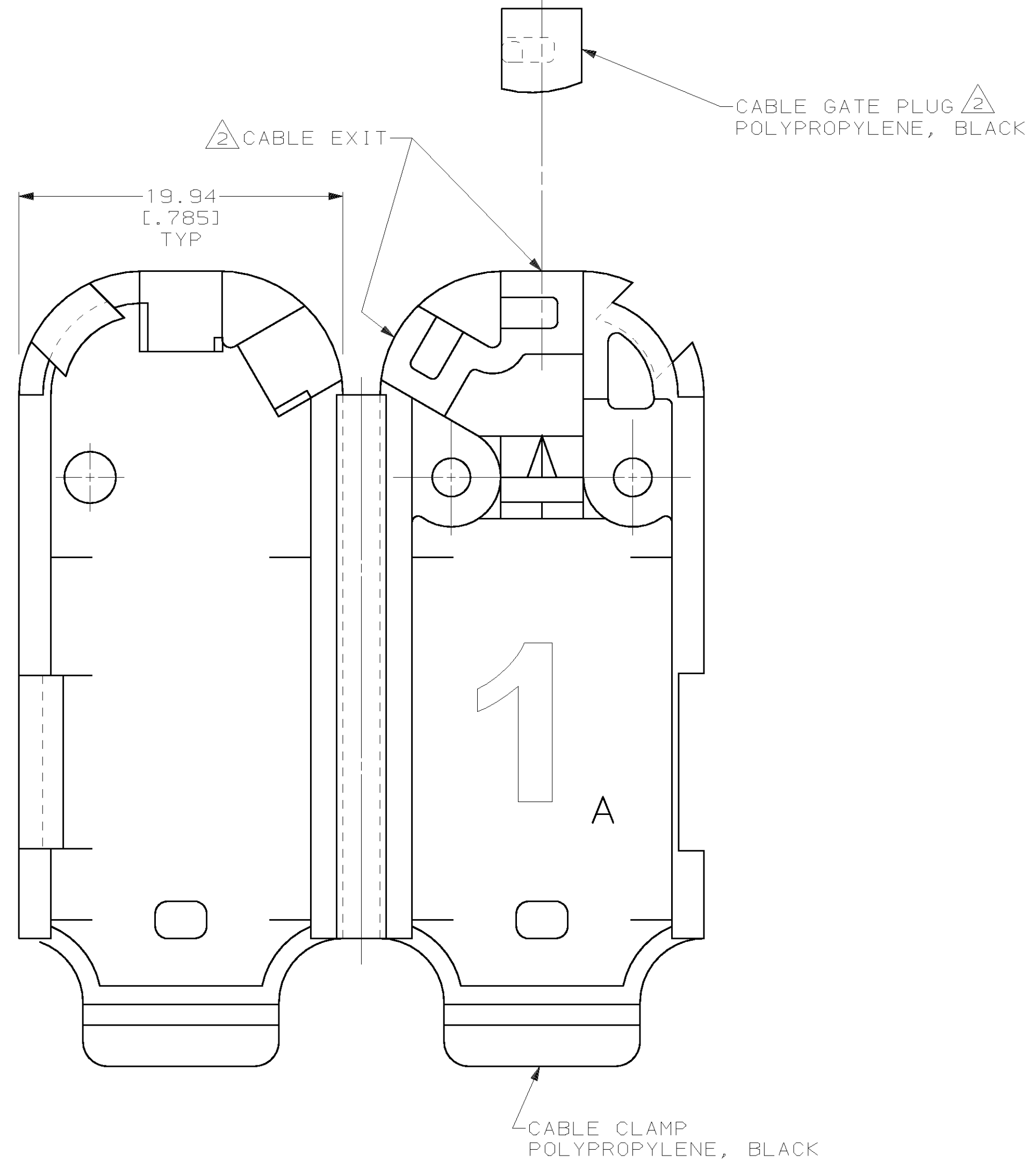


LOC		DIST		P		F		ZONE		LTR		REVISIONS			
GP	00											DESCRIPTION	DATE	APPD	
												J	REVISED PER EC 0513-0104-03	24FEB93	JG



OBsolete	QTY	DESCRIPTION	PART NO
	2	UNIT KIT	749914-4
	1	SMALL PACK	749914-3
	1	UNIT KIT	749914-2
	1	BULK PACKED	749914-1
		RETAINER CLIP TYPE	PACKAGING
			PART NO

- 1. CLIP CAN BE INSTALLED AS SHOWN FOR SMALL DIAMETER CABLE, OR REVERSED FOR LARGE DIAMETER CABLE.
- 2. CABLE GATE PLUG TO BE PLACED IN CABLE EXIT NOT BEING USED.
- 3. RETAINER SCREWS AND RETAINER CLIPS PROVIDED WITH THIS KIT FOR USE WITH METAL SHELL CONNECTORS.
- 4. CABLE DIAMETER RANGE = 1.90-6.35 [.075-.250].

DO NOT SCALE PRINT. UNLESS SPECIFIED DIMENSIONS IN mm [INCHES] TOLERANCES ON:		DR 11/08/89 S. WELDON		AMP INCORPORATED Harrisburg, Pa. 17105	
2 PLC DEC ± 0.13 [.005]		CHK 11-14-89 R. STONE			
3 PLC DEC ± -		APPD 11-15-89 J. WESTMAN		NAME	
ANGLES ± -		APPD 11-15-89 J. ASSINI		CABLE CLAMP KIT, UNASSEMBLED, SIZE 1, QUIK-SNAP, 120° & 180° CABLE EXIT, AMPLIMITE®	
MATERIAL		PRODUCT SPEC		SIZE	
SEE CALLOUTS		-		D 00779	
FINISH		APPLICATION SPEC		CAGE CODE	
SEE CALLOUTS		-		DRAWING NO	
WEIGHT		-		749914	
		SCALE 4:1		SHEET 1 OF 1	