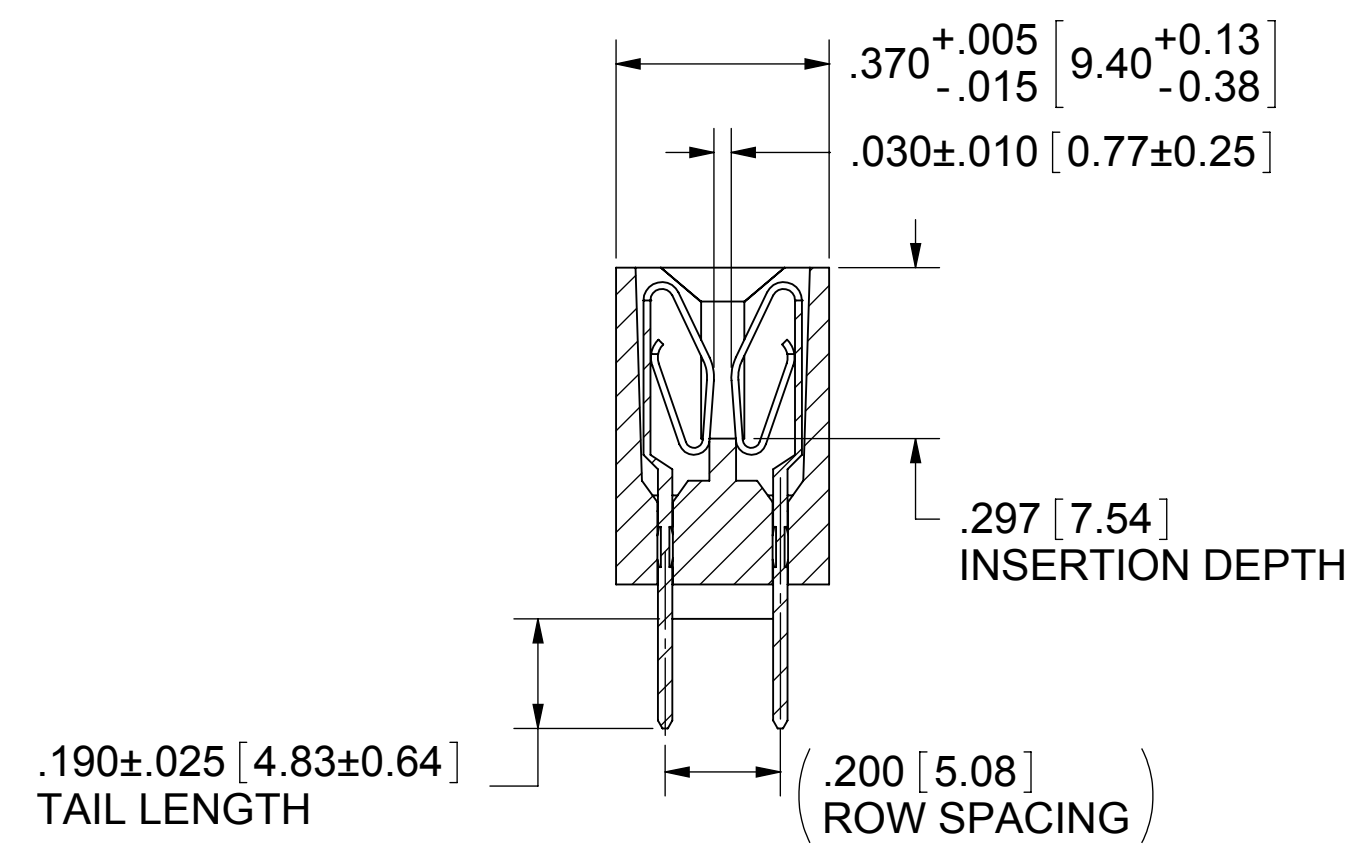
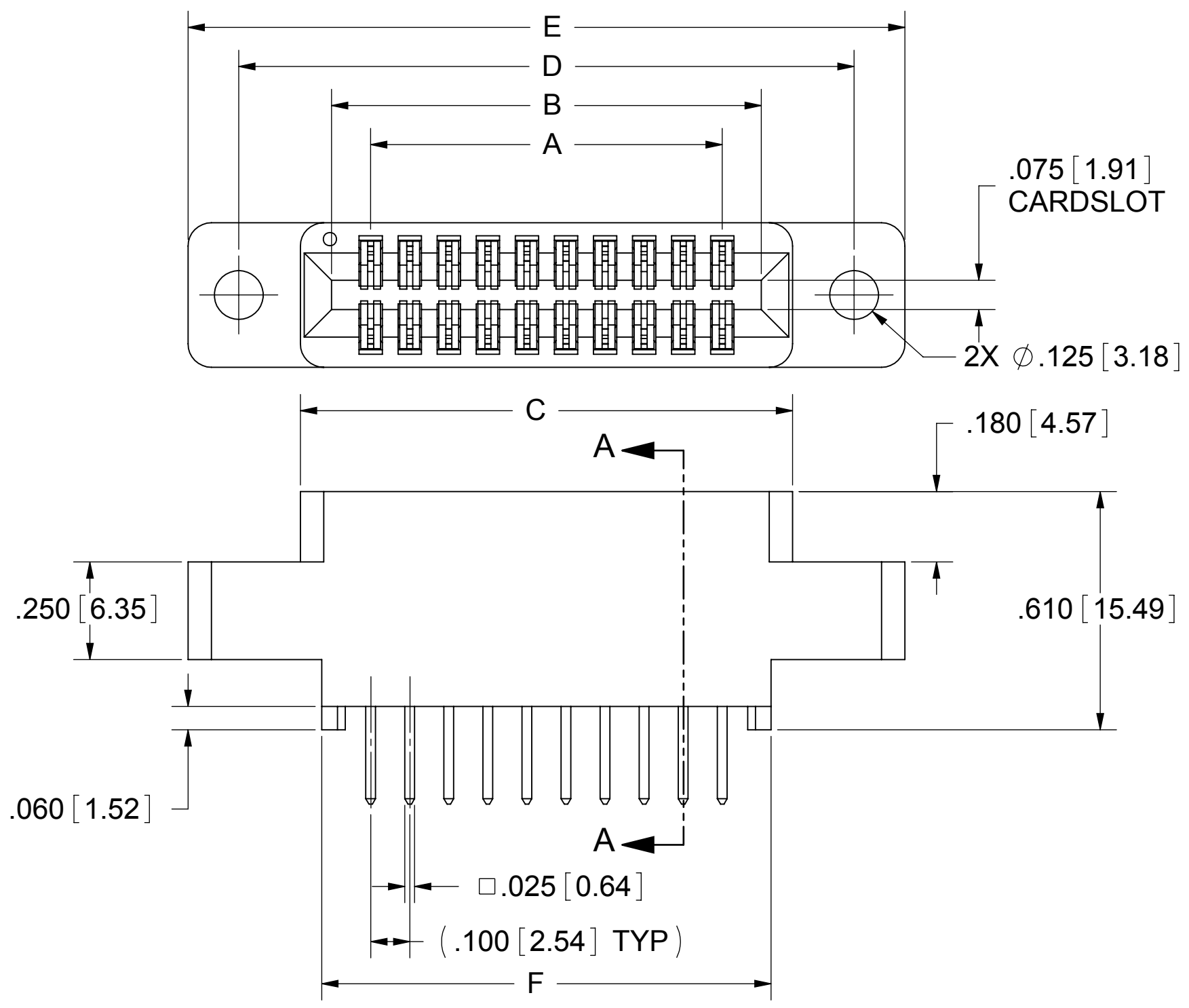
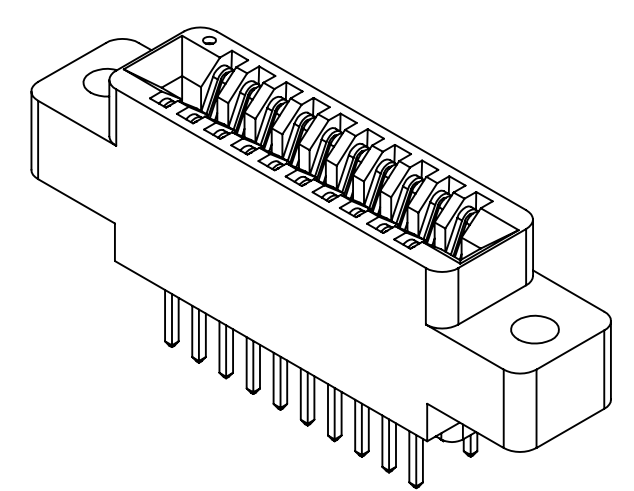
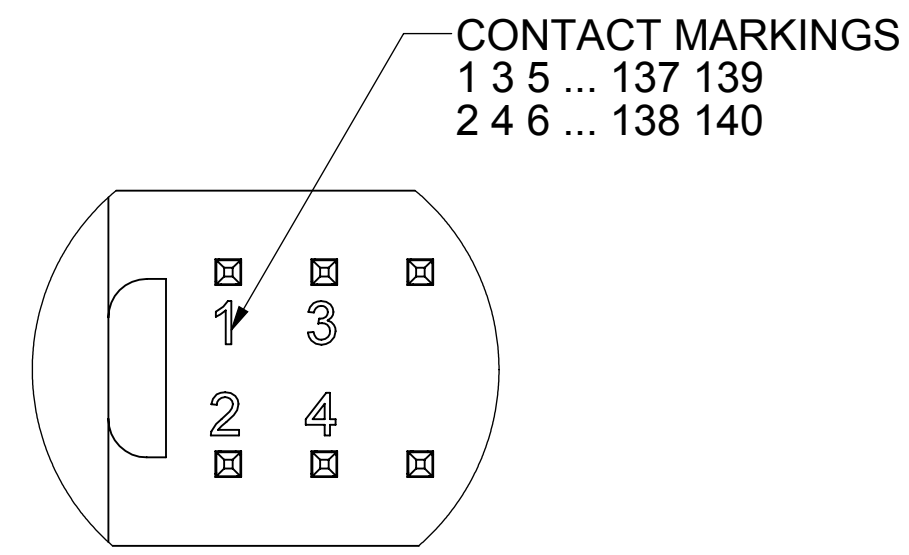
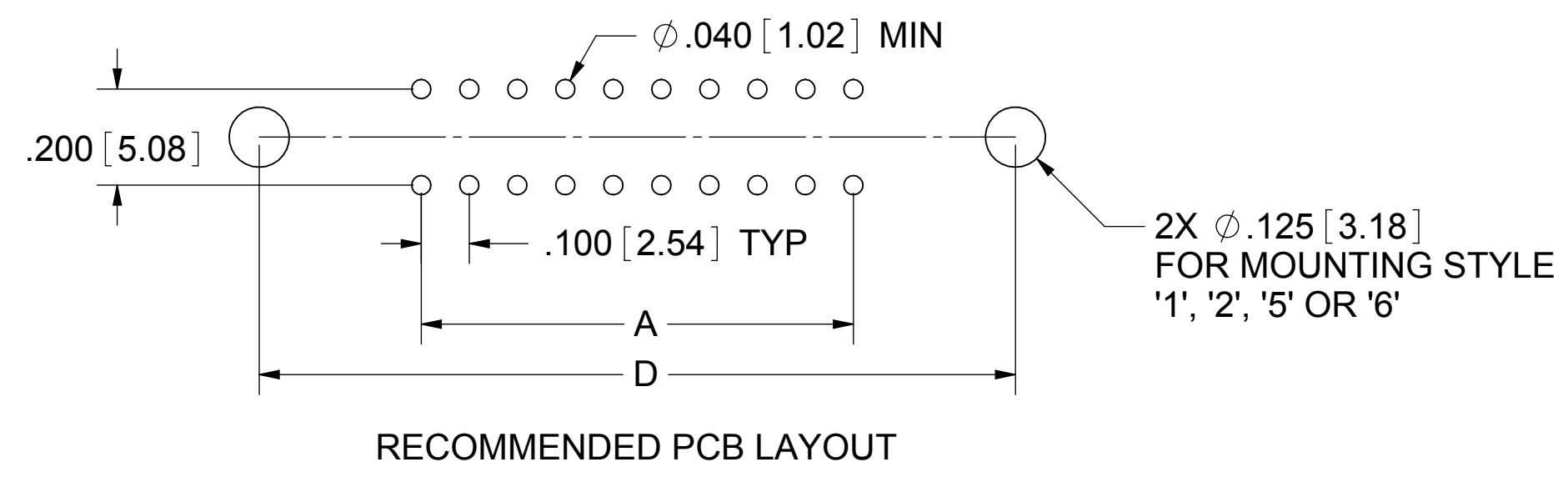


REVISIONS				
REV.	ECO. NO	DESCRIPTION	DATE	BY
A	2319	INITIAL RELEASE	05/17/11	EB
B	2451	UPDATED PN CODING TO INCLUDES MTL, PLATING OPTIONS, CORRECTED BOM TABLE, ADDED TOLERANCE ±.010 TO CONTACT GAP DIM	9/21/2011	JH



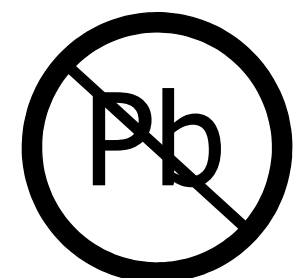
MP _ _ - 100- _ _ - DW- 5H _ _ _



- NOTES:**
1. INSULATOR MATERIAL: SEE PART NUMBER CODING.
 2. CONTACT MATERIAL: SEE PART NUMBER CODING.
 3. PLATING: SEE PART NUMBER CODING.
 4. OPERATING TEMPERATURE RATING: SEE PART NUMBER CODING.
 5. PROCESSING TEMPERATURE: SEE PART NUMBER CODING.
 6. UL FLAMABILITY RATING: 94V-0.
 7. DIELECTRIC WITHSTANDING VOLTAGE RATING: 750 VAC MIN. AT SEA LEVEL.
 8. CURRENT RATING: 3 AMP PER CONTACT.
 9. CONTACT RESISTANCE: 30 MILLIOHMS MAX.
 10. INSULATION RESISTANCE: 5000 MEGOHMS MIN.
 11. DURABILITY: 500 CYCLES MIN
 12. CONNECTOR IDENTIFICATION: PART SHALL BE MARKED WITH PART NUMBER AND LOT CODE.
 13. ACCOMMODATES BOARD THICKNESS: .062 ± .008" [1.57 ±0.20].
 14. INSERTION FORCE: 8 OZ MAX PER CONTACT PAIR WHEN USING A .062" [1.57mm]
 15. WITHDRAWAL FORCE: 1 OZ MIN. PER CONTACT PAIR USING .062" [1.57mm] PCB TEST BLADE.

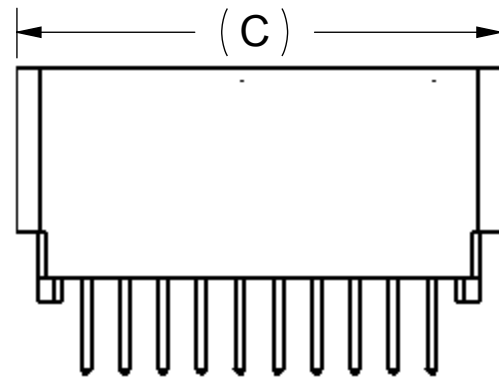
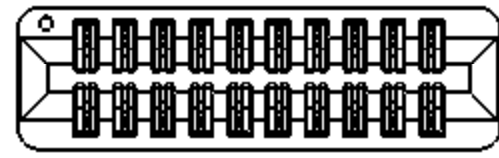
REF: _ _ C _ DRS _ (-S _ _)

CUSTOMER COPY

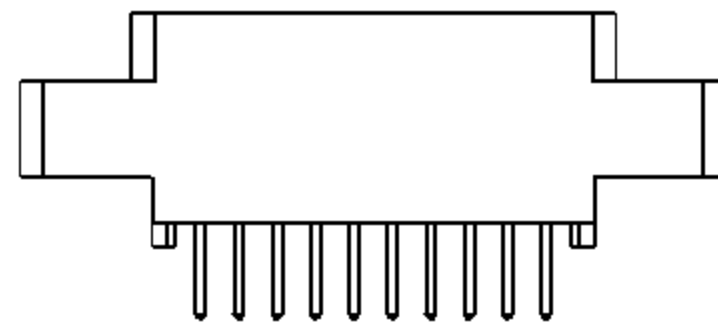
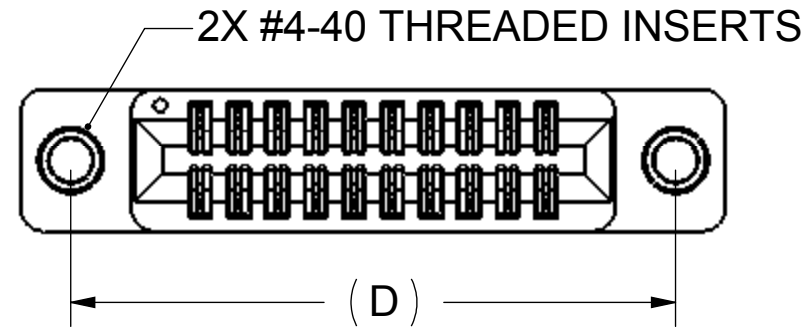


RoHS COMPLIANT

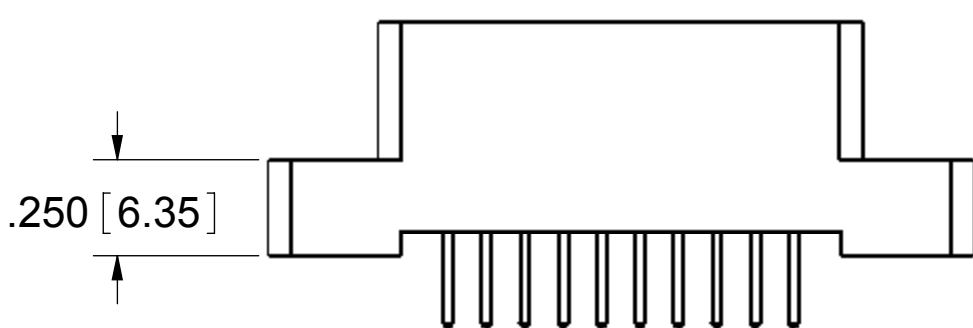
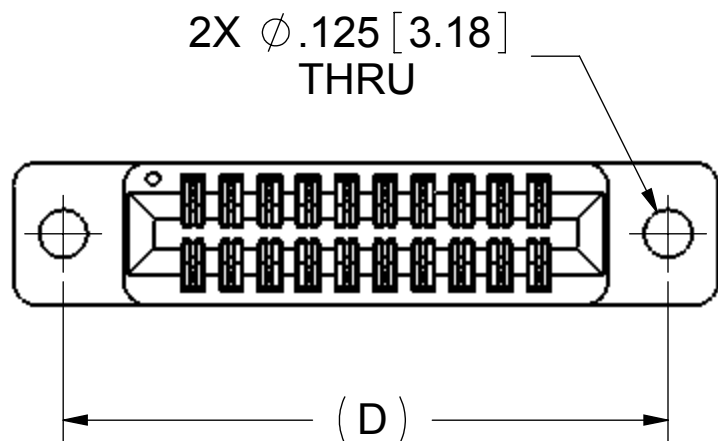
UNLESS OTHERWISE SPECIFIED: DIMENSIONS ARE IN INCHES [MM]	DRAWN	DATE	NAME	
		04/15/11	EB	
TOLERANCES: ANGULAR: ± 30' .XX=± .02 [5] .XXX=± .005 [13] .XXXX=± .0005 [013]	THE INFORMATION HEREIN CONTAINS PROPRIETARY INFORMATION OF SULLINS ELECTRONICS AND IS NOT TO BE REPRODUCED, USED OR DISCLOSED TO OTHERS FOR ANY PURPOSE EXCEPT AS SPECIFICALLY AUTHORIZED IN WRITING BY AN OFFICER OF SULLINS ELECTRONICS.			TITLE
	INTERPRET DIMENSIONS AND TOLERANCING PER: ASME Y14.5M-2009			EDGECARD, .100 CC, HP
PART NUMBER				REV
MP _ _ - 100- _ _ - DW- _ H _ _ _				B
SIZE	CAGE CODE	DWG. NO.		
C	54453	C11701		
SCALE: 3:1	SHEET 1 OF 3			



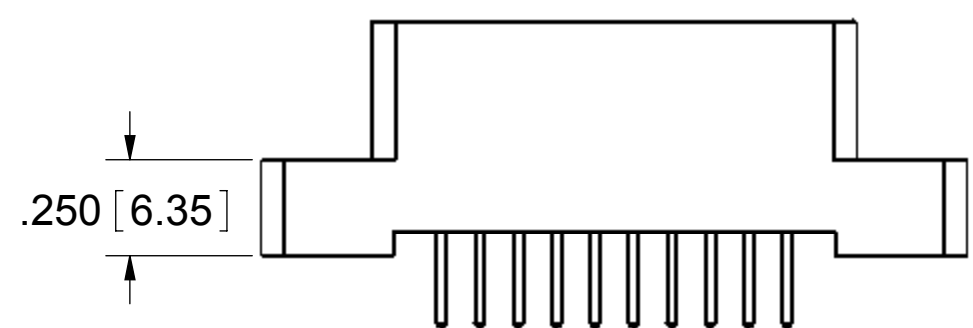
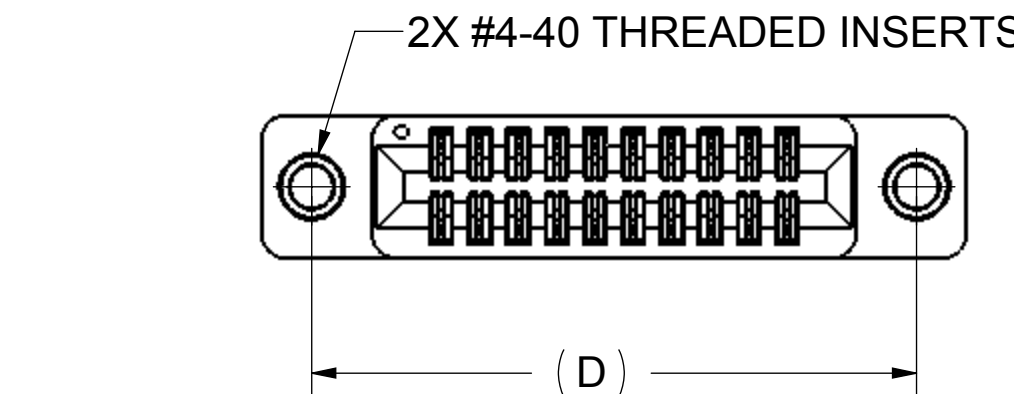
MP_100_DW-4H



MP_100_DW-6H

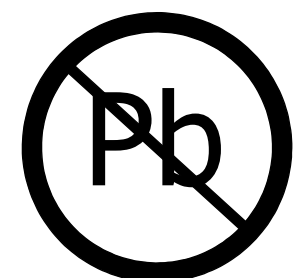


MP_100_DW-1H



MP_100_DW-2H

CUSTOMER COPY



RoHS COMPLIANT

UNLESS OTHERWISE SPECIFIED:
DIMENSIONS ARE IN INCHES [MM]
TOLERANCES: ANGULAR: ± 30'
.XX=± .02 [.5]
.XXX=± .005 [.13]
.XXXX=± .0005 [.013]
INTERPRET DIMENSIONS AND TOLERANCING PER: ASME Y14.5M-2009

DRAWN	DATE	NAME
	04/15/11	EB
<small>THE INFORMATION HEREIN CONTAINS PROPRIETARY INFORMATION OF SULLINS ELECTRONICS AND IS NOT TO BE REPRODUCED, USED OR DISCLOSED TO OTHERS FOR ANY PURPOSE EXCEPT AS SPECIFICALLY AUTHORIZED IN WRITING BY AN OFFICER OF SULLINS ELECTRONICS.</small>		

TITLE EDGE CARD, .100 CC, HP		
PART NUMBER MP_100_DW-H		
SIZE C	CAGE CODE 54453	DWG. NO. C11701
SCALE: 2:1		REV B
SHEET 2 OF 3		

PART NUMBER	POSITIONS	A±.008[±0.20]		B±.008[±0.20]		C±.015[±0.38]		D±.010[±0.25]		E±.020[±0.51]		F±.015[±0.38]	
		INCH	MM	INCH	MM	INCH	MM	INCH	MM	INCH	MM	INCH	MM
MP__-100-06-DW-_H__	6	0.500	12.70	0.700	17.78	0.860	21.84	1.175	29.85	1.435	36.45	0.750	19.05
MP__-100-07-DW-_H__	7	0.600	15.24	0.800	20.32	0.960	24.38	1.275	32.39	1.535	38.99	0.850	21.59
MP__-100-08-DW-_H__	8	0.700	17.78	0.900	22.86	1.060	26.92	1.375	34.93	1.635	41.53	0.950	24.13
MP__-100-10-DW-_H__	10	0.900	22.86	1.100	27.94	1.260	32.00	1.575	40.01	1.835	46.61	1.150	29.21
MP__-100-12-DW-_H__	12	1.100	27.94	1.300	33.02	1.460	37.08	1.775	45.09	2.035	51.69	1.350	34.29
MP__-100-13-DW-_H__	13	1.200	30.48	1.400	35.56	1.560	39.62	1.875	47.63	2.135	54.23	1.450	36.83
MP__-100-15-DW-_H__	15	1.400	35.56	1.600	40.64	1.760	44.70	2.075	52.71	2.335	59.31	1.650	41.91
MP__-100-17-DW-_H__	17	1.600	40.64	1.800	45.72	1.960	49.78	2.275	57.79	2.535	64.39	1.850	46.99
MP__-100-18-DW-_H__	18	1.700	43.18	1.900	48.26	2.060	52.32	2.375	60.33	2.635	66.93	1.950	49.53
MP__-100-20-DW-_H__	20	1.900	48.26	2.100	53.34	2.260	57.40	2.575	65.41	2.835	72.01	2.150	54.61
MP__-100-22-DW-_H__	22	2.100	53.34	2.300	58.42	2.460	62.48	2.775	70.49	3.035	77.09	2.350	59.69
MP__-100-24-DW-_H__	24	2.300	58.42	2.500	63.50	2.660	67.56	2.975	75.57	3.235	82.17	2.550	64.77
MP__-100-25-DW-_H__	25	2.400	60.96	2.600	66.04	2.760	70.10	3.075	78.11	3.335	84.71	2.650	67.31
MP__-100-28-DW-_H__	28	2.700	68.58	2.900	73.66	3.060	77.72	3.375	85.73	3.635	92.33	2.950	74.93
MP__-100-29-DW-_H__	29	2.800	71.12	3.000	76.20	3.160	80.26	3.475	88.27	3.735	94.87	3.050	77.47
MP__-100-30-DW-_H__	30	2.900	73.66	3.100	78.74	3.260	82.80	3.575	90.81	3.835	97.41	3.150	80.01
MP__-100-31-DW-_H__	31	3.000	76.20	3.200	81.28	3.360	85.34	3.675	93.35	3.935	99.95	3.250	82.55
MP__-100-35-DW-_H__	35	3.400	86.36	3.600	91.44	3.760	95.50	4.075	103.51	4.335	110.11	3.650	92.71
MP__-100-36-DW-_H__	36	3.500	88.90	3.700	93.98	3.860	98.04	4.175	106.05	4.435	112.65	3.750	95.25
MP__-100-40-DW-_H__	40	3.900	99.06	4.100	104.14	4.260	108.20	4.575	116.21	4.835	122.81	4.150	105.41
MP__-100-43-DW-_H__	43	4.200	106.68	4.400	111.76	4.560	115.82	4.875	123.83	5.135	130.43	4.450	113.03
MP__-100-44-DW-_H__	44	4.300	109.22	4.500	114.30	4.660	118.36	4.975	126.37	5.235	132.97	4.550	115.57
MP__-100-49-DW-_H__	49	4.800	121.92	5.000	127.00	5.160	131.06	5.475	139.07	5.735	145.67	5.050	128.27
MP__-100-50-DW-_H__	50	4.900	124.46	5.100	129.54	5.260	133.60	5.575	141.61	5.835	148.21	5.150	130.81
MP__-100-55-DW-_H__	55	5.400	137.16	5.600	142.24	5.760	146.30	6.075	154.31	6.335	160.91	5.650	143.51
MP__-100-60-DW-_H__	60	5.900	149.86	6.100	154.94	6.260	159.00	6.575	167.01	6.835	173.61	6.150	156.21
MP__-100-61-DW-_H__	61	6.000	152.40	6.200	157.48	6.360	161.54	6.675	169.55	6.935	176.15	6.250	158.75
MP__-100-65-DW-_H__	65	6.400	162.56	6.600	167.64	6.760	171.70	7.075	179.71	7.335	186.31	6.650	168.91
MP__-100-70-DW-_H__	70	6.900	175.26	7.100	180.34	7.260	184.40	7.575	192.41	7.835	199.01	7.150	181.61

PART NUMBER CODING

MP - 100 - DW - H

CONTACT MATERIAL

OMIT= PHOSPHOR BRONZE (SEE TABLE 2)
Y= BERYLLIUM COPPER (SEE TABLE 3)

PLATING MODIFICATION CODE (SEE TABLE 1)

MOUNTING STYLE

1= .125" DIA. CLEARANCE HOLES
2= #4-40 THREADED INSERT
4= NO MOUNTING EARS
5= RAISED WITH .125" DIA. CLEARANCE HOLES
6= RAISED WITH #4-40 THREADED INSERT

NUMBER OF POSITIONS (CONTACTS PER ROW)

INSULATOR MATERIAL

0= PBT, BLUE
2= PBT, GREEN
3= PBT, BLACK
1= PPS, BROWN
5= PPS, BLACK
6= PPS, GREEN
7= PPS, BROWN

PLATING (SEE TABLE 1)

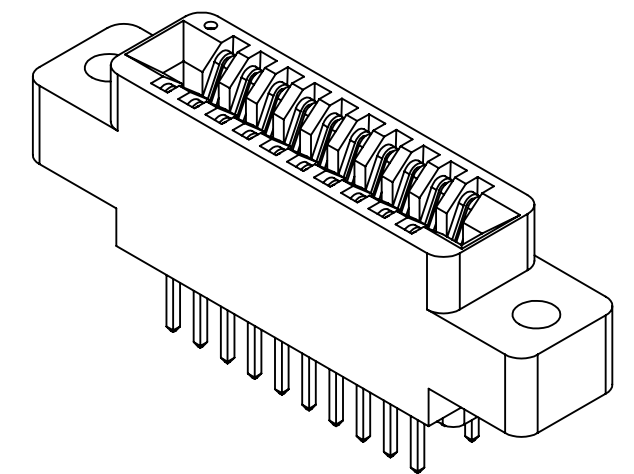


TABLE 2 (PHOSPHOR BRONZE CONTACTS):

INSULATOR MATERIAL CODE	OPERATING TEMPERATURE	PROCESSING TEMPERATURE
0, 2, 3	-65°C TO +125°C	260°C FOR 10 SEC MAX (230°C, 30 SEC)
1, 5, 6, 7	-65°C TO +125°C	260°C FOR 120 SEC MAX

TABLE 3 (BERYLLIUM COPPER CONTACTS):

INSULATOR MATERIAL CODE	OPERATING TEMPERATURE	PROCESSING TEMPERATURE
0, 2, 3	-65°C TO +125°C	260°C FOR 10 SEC MAX (230°C, 30 SEC)
1, 5, 6, 7	-65°C TO +150°C	260°C FOR 120 SEC MAX

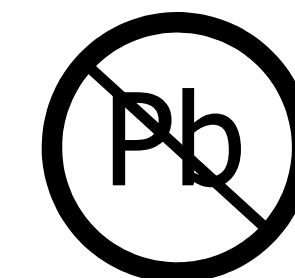
TABLE 1 (PLATING):

ALL PLATINGS HAVE .000050" NICKEL UNDERPLATE

	CONTACT SURFACE	TERMINATION	PLATING MODIFICATION CODE
MP	.000010" GOLD OVERALL		OMIT
	.000030" GOLD	.000010" GOLD OVERALL	G
MPSL	.000010" GOLD	.000100" PURE TIN, MATTE	K
	.000030" GOLD	.000100" PURE TIN, MATTE	GK
MPL	.000100" PURE TIN, MATTE OVERALL		K

(MPL PLATING AVAILABLE WITH PHOSPHOR BRONZE CONTACTS ONLY)

CUSTOMER COPY



RoHS COMPLIANT

UNLESS OTHERWISE SPECIFIED: DIMENSIONS ARE IN INCHES [MM]	DRAWN	DATE	NAME	
		04/15/11	EB	
TOLERANCES: ANGULAR: ± 30' .XX=± .02 [.5] .XXX=± .005 [.13] .XXXX=± .0005 [.013]	THE INFORMATION HEREIN CONTAINS PROPRIETARY INFORMATION OF SULLINS ELECTRONICS AND IS NOT TO BE REPRODUCED, USED OR DISCLOSED TO OTHERS FOR ANY PURPOSE EXCEPT AS SPECIFICALLY AUTHORIZED IN WRITING BY AN OFFICER OF SULLINS ELECTRONICS.			TITLE
	INTERPRET DIMENSIONS AND TOLERANCING PER: ASME Y14.5M-2009			EDGECARD, .100 CC, HP
PART NUMBER		SIZE	CAGE CODE	DWG. NO.
MP__-100-__-DW-_H__		C	54453	C11701
SCALE: 2:1		REV		B
		SHEET 3 OF 3		