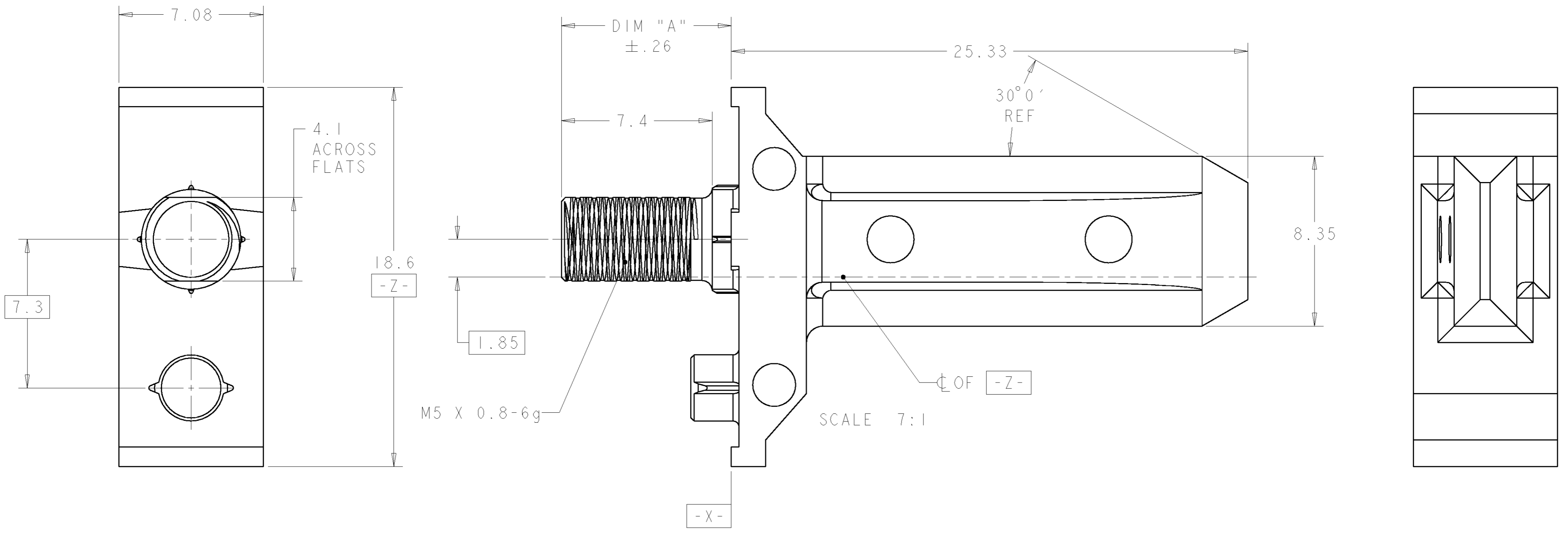


THIS DRAWING IS UNPUBLISHED. RELEASED FOR PUBLICATION 20
 © COPYRIGHT 20 BY TYCO ELECTRONICS CORPORATION. ALL RIGHTS RESERVED.

LOC	DIST	REVISIONS					
CG	00	P	LTR	DESCRIPTION	DATE	DWN	APVD
		B		REV PER ECO-06-025222	27OCT2006	BC	GG
		BI		REV PER ECO-07-018424	04SEP2007	BC	GG



M5 X 0.8-6g

SCALE 7:1

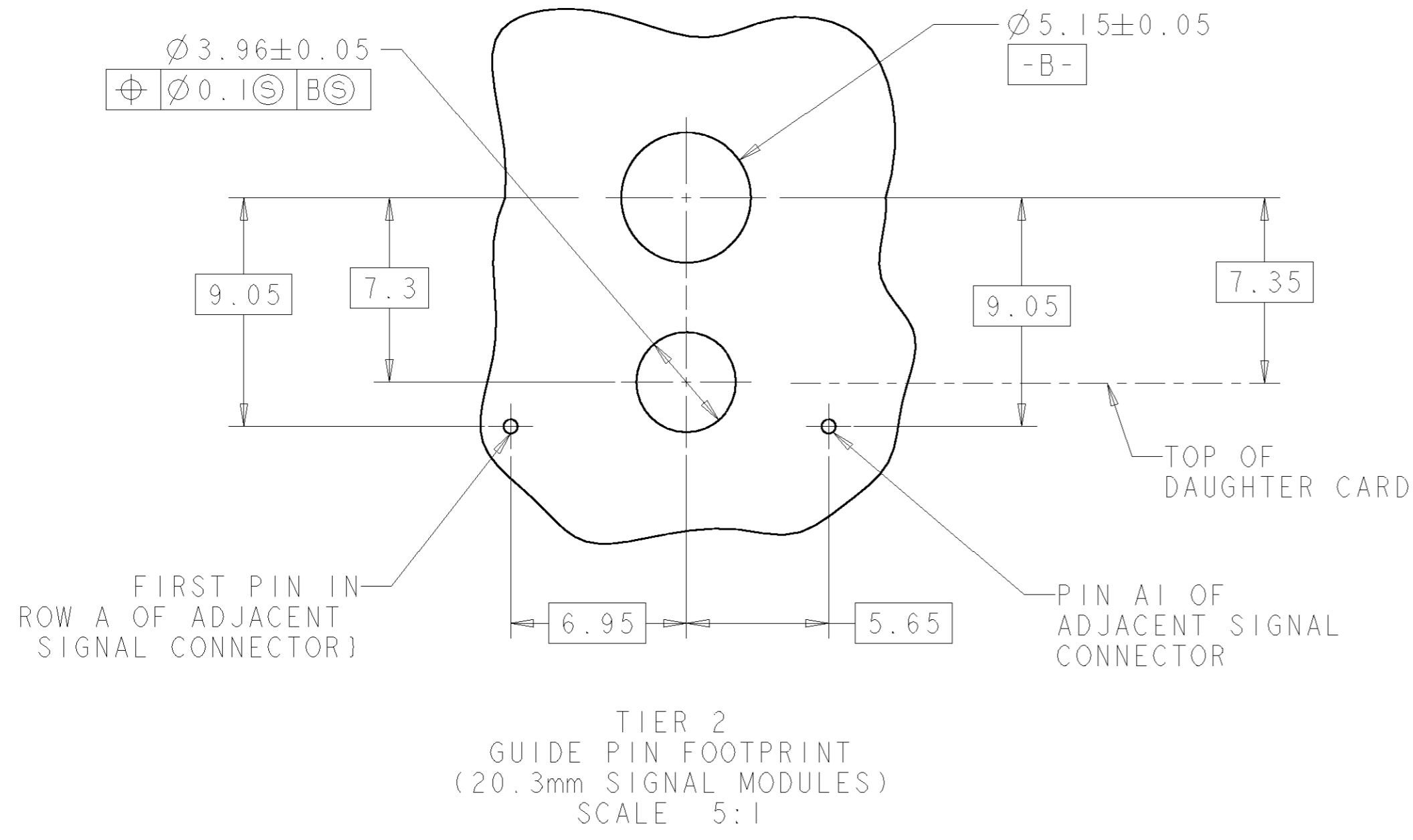
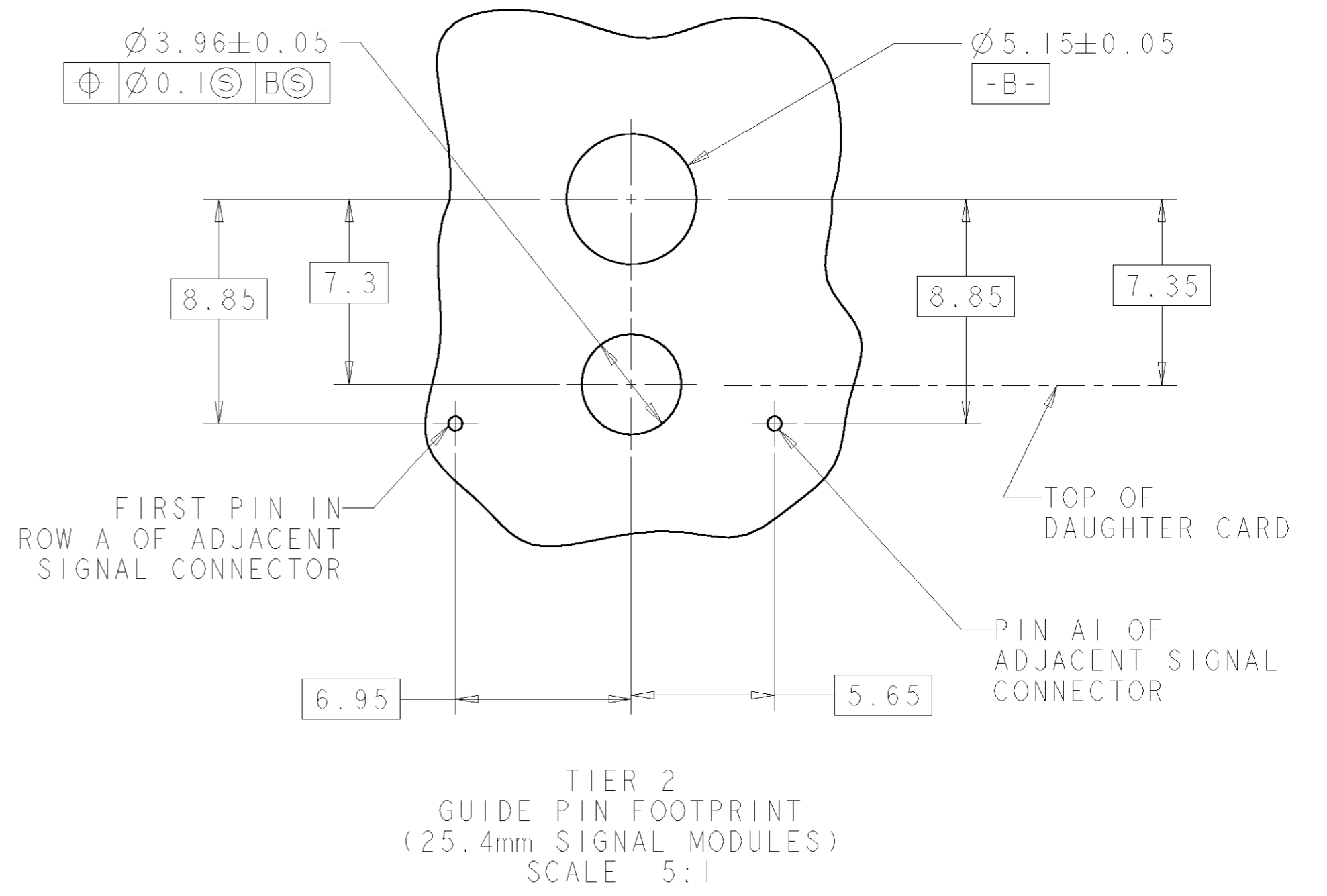
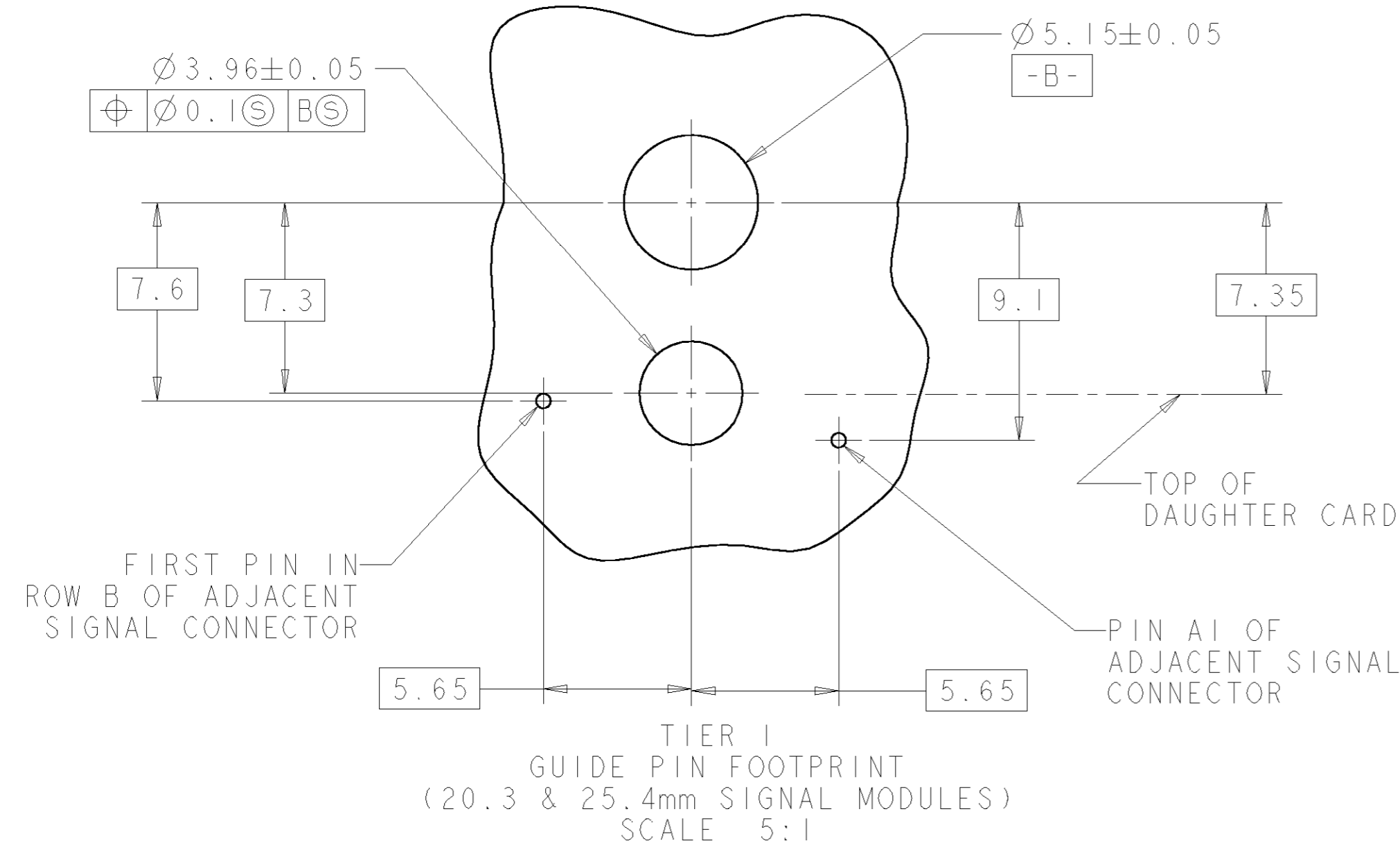
	13.10	③	1-1410710-4
	11.60	③	1-1410710-3
	10.00	③	1-1410710-2
	8.72	③	1-1410710-1
④	13.10	②	1410710-4
④	11.60	②	1410710-3
④	10.00	②	1410710-2
④	8.72	②	1410710-1
	DIM "A"	FINISH	PART NUMBER

- ① MATERIAL: ZINC ALLOY
- ② FINISH: HEXAVALENT CHROMATE.
- ③ FINISH: TRIVALENT CHROMIUM.
- ④ OBSOLETE PART NUMBER.

THIS DRAWING IS A CONTROLLED DOCUMENT FOR TYCO ELECTRONICS CORPORATION. IT IS SUBJECT TO CHANGE AND THE CONTROLLING ENGINEERING ORGANIZATION SHOULD BE CONTACTED FOR THE LATEST REVISION.		DWN E. MORANA 08JUL002	Tyco Electronics Harrisburg, PA 17105-3608	
DIMENSIONS: mm		CHK G. GRIFFITH 04SEP2007	NAME 7.2mm GUIDE MODULE BACKPLANE CONNECTOR, MultiGig	
TOLERANCES UNLESS OTHERWISE SPECIFIED: 0 PLC ± 1 PLC ±0.1 2 PLC ±.13 3 PLC ±.013 4 PLC ±0.0001 ANGLES ±0.30°		APVD G. GRIFFITH 04SEP2007	PRODUCT SPEC -	
MATERIAL		APPLICATION SPEC -	SIZE A2	
		WEIGHT -	CAGE CODE 00779	
		CUSTOMER DRAWING	DRAWING NO 1410710	
			RESTRICTED TO -	
			SCALE 5:1 SHEET 1 OF 2 REV B1	

THIS DRAWING IS UNPUBLISHED. RELEASED FOR PUBLICATION 20
 © COPYRIGHT 20 BY TYCO ELECTRONICS CORPORATION. ALL RIGHTS RESERVED.

LOC	DIST	REVISIONS					
CG	00	P	LTR	DESCRIPTION	DATE	DWN	APVD
		-		SEE SHEET 1			



THIS DRAWING IS A CONTROLLED DOCUMENT FOR TYCO ELECTRONICS CORPORATION. IT IS SUBJECT TO CHANGE AND THE CONTROLLING ENGINEERING ORGANIZATION SHOULD BE CONTACTED FOR THE LATEST REVISION.		DWN F. MORANA 08JUL002	Tyco Electronics Harrisburg, PA 17105-3608	
DIMENSIONS: mm		CHK G. GRIFFITH 04SEP2007	NAME 7.2mm GUIDE MODULE BACKPLANE CONNECTOR, MultiGig	
TOLERANCES UNLESS OTHERWISE SPECIFIED: 0 PLC \pm .1 1 PLC \pm 0.1 2 PLC \pm .13 3 PLC \pm .013 4 PLC \pm 0.0001 ANGLES \pm 0.30°		APVD G. GRIFFITH 04SEP2007	SIZE A2	
MATERIAL -		FINISH -	CAGE CODE 00779	DRAWING NO. 1410710
-		PRODUCT SPEC -	RESTRICTED TO -	SCALE 5:1
-		APPLICATION SPEC -	SHEET 2 OF 2	
-		WEIGHT -	REV B1	
-		CUSTOMER DRAWING		