



SERIES 02

RAISING THE BAR
MP - COUNT ON IT

Push-to-Reset Circuit Breaker

Small Package

UL489 Protector

Cadmium - Free

High Capacity 5000AIC



SUPERIOR CIRCUIT PROTECTION

www.mechprod.com

Series 02 Overview

FEATURES:

- AC/DC ratings from 5 to 30A
- UL, CSA, VDE, CCC
- Single pole circuit protection
- ROHS Compliance - Cd free
- High capacity in a small package
- Double-break contact mechanism
- Withstands short circuit conditions as high as 5kA



Series 02 Specifications

Standard Amp Ratings	Model 252: 15A and 20A Model 600: 5A*, 7A*, 10A, 15A and 20A Model 601: 30A
Maximum Voltage Ratings	Model 252: 120VAC Model 600: 277VAC/32VDC Model 601: 277VAC
Ultimate Trip	Must hold 100% at 25C / 77F, Must trip at 135% within 1 hour
Dielectric Strength	1500VAC Minimum
Interrupt Capacity (UL489 and UL1077)	Model 252: 5,000A/120VAC per UL489 Model 600: 5,000A/277VAC per UL1077, 1,000A/120VAC per UL1077 Model 601: 5,000/277VAC per UL1077
Inrush Capacity	Will not trip at 35X rated current for 1/2 cycle (0.008 sec.)
Bushing Torque	10 in-lbs
Regulatory Approvals	
Model 252	UL - Recognized per UL489 (File #14942) suitable for branch circuit protection CSA - Certified per C22.2 No. 5 (File #LR13089) VDE - Certified to IEC STD 60934 (License #40011788) CCC - CQC STD GB17701-2008 (Certificate #2005010307139109)
Model 600	UL -Recognized per UL1077 (File #E27727) CSA - Certified per C22.2 No. 235 (File #LR27156) VDE - Certified to IEC STD 60934 (License #40011788) CCC-CQC STD GB17701-2008 (Certificate #2005010307139109)
Model 601	UL - Recognized per UL1077 (File #E27727) CSA -Certified per C22.2 No. 235 (File #LR27156) CCC - CQC STD GB17701-2008 (Certificate #2005010307139109)

Ambient Temperature Correction Factor

Current Rating	°F	32	77	104	122	140
	°C	0	25	40	50	60
5 & 7A		0.84	1.00	1.15	1.3	1.53
10 to 30A		0.88	1.00	1.11	1.2	1.32

Factors are typical for amperages listed

Voltage Drop

Model	Ampere Range	Voltage Drop
252	15A & 20A	0.25V
600	5 & 7A	0.35V
	10 & 20A	0.25V
601	30A	0.15V

Overload Trip Time Data (in seconds)

Current Rating	200%	300%	400%	500%	600%	800%	1000%
5 - 7 A	5 - 20	1.7 - 6.4	0.9 - 3.1	0.5 - 1.9	0.35 - 1.4	0.2 - 0.76	0.17 - 0.53
10 - 30 A	5 - 30	1.8 - 10	0.9 - 5	0.5 - 3.3	0.38 - 2.3	0.2 - 1.3	0.15 - 0.9

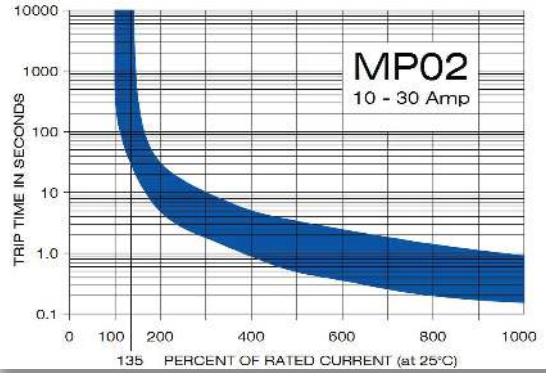
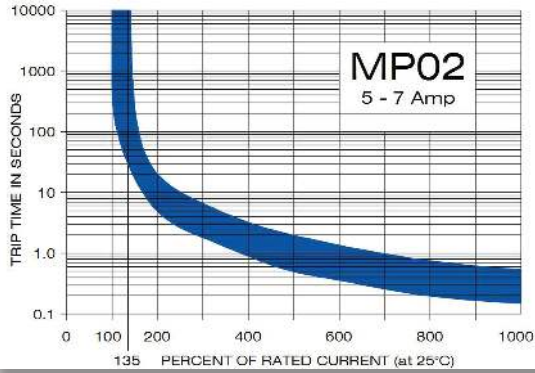


1112 N. Garfield St. Lombard, IL 60148 helpme@mechprod.com
phone 630 | 953 | 4100 fax 630 | 953 | 4110 www.mechprod.com

Specifications subject to change

QC-4001-D

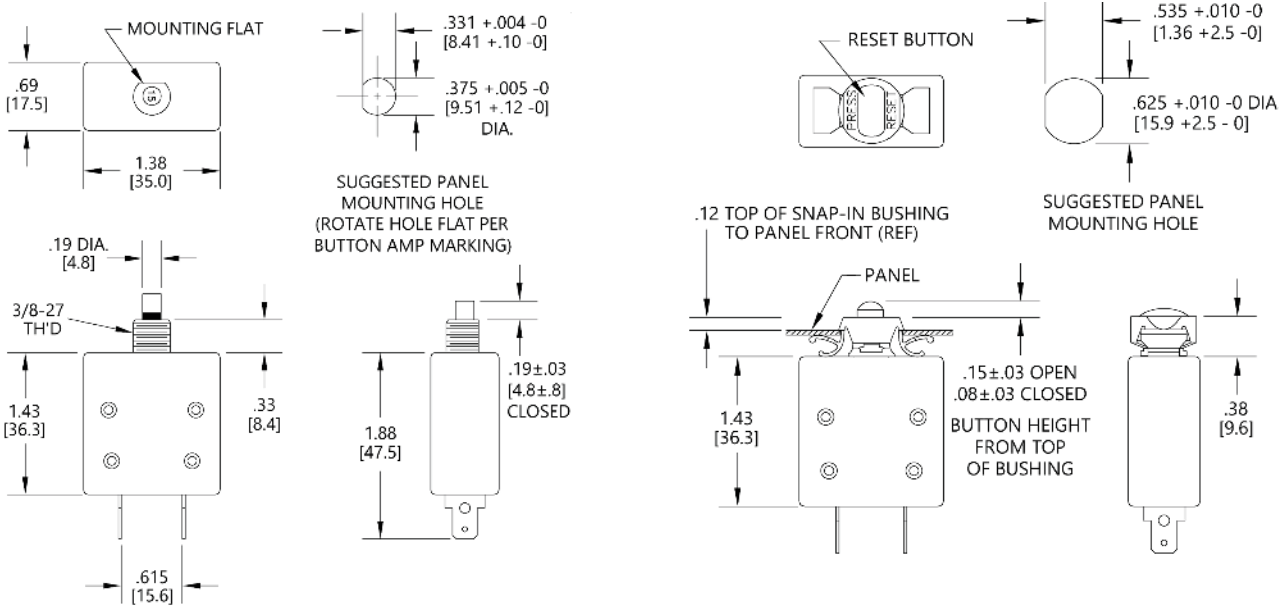
Series 02 Operating Characteristics



Trip curves presented are based on typical samples and are for reference.
Please consult the factory for more specific application information.
Trip curves are specified at 25°C / 77°F

Series 02 Physical Configuration

Case Sizes: Models 252 - 600 (See Part Numbering Guide)

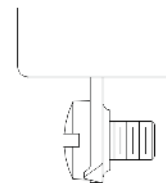


Note: All dimensions are in inches [mm]

Mounting Hardware (See Part Numbering Guide)



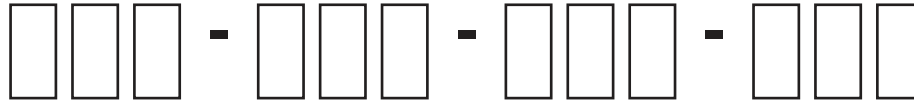
Standard terminals on Model 601



Model 601, rated at 30A comes with standard #10-32 screw terminals

Series 02 Part Numbering Guide

P/N:



Code	Model	Code	Variation	Code	Amp Ratings	Code	Hardware
252	UL489 recognized, CSA certified 5,000A interrupt @ 120VAC	001	3/8" -27 dia. Threaded mounting bushing w/ anti-rotation flat. 0.250" quick-connect terminals. White Actuator with trip indicator	150	15.0A	50	Palnut / Knurlnut / Name Plate
		041	3/8" -27 dia. Threaded mounting bushing w/ anti-rotation flat. 0.250" quick-connect terminals. Terminals bent outbound 90 degrees White Actuator with trip indicator	200	20.0A	51	Palnut / Knurlnut
		401	3/8" -27 dia. Threaded mounting bushing w/ anti-rotation flat. 0.250" quick-connect terminals. White Actuator with trip indicator. Black ampere rating marking on actuator			54	Hexnut / Hexnut
		017	Snap-in bushing white w/anti-rotation flat. 0.250" quick-connect terminals. White Actuator			94	Hexnut / Name plate
		018	Snap-in bushing black w/anti-rotation flat. 0.250" quick-connect terminals. Black Actuator				
600	UL1077 recognized, CSA certified: 5,000A interrupt @ 277VAC 1,000A interrupt @ 32VDC	001	3/8" -27 dia. Threaded mounting bushing w/ anti-rotation flat. 0.250" quick-connect terminals. White Actuator with trip indicator	050	5.0A*		
		011	3/8" -27 dia. Threaded mounting bushing w/ anti-rotation flat. 0.250" quick-connect terminals. White actuator with trip indicator. Black ampere rating marking on actuator	070	7.0A*		
		017	3/8" -27 dia. Threaded mounting bushing w/ anti-rotation flat. 0.250" quick-connect terminals. Terminals bent outbound 90 degrees. White actuator with trip indicator	100	10.0A		
601	UL1077 recognized, CSA certified: 5,000A interrupt @ 277VAC	001	3/8" -27 dia. Threaded mounting bushing w/ anti-rotation flat. #10-32 UNF screw terminals. White Actuator with trip indicator	150	15.0A		
				200	20.0A		
				300	30.0A		

*Contact Factory for amperage ratings 5-7A

