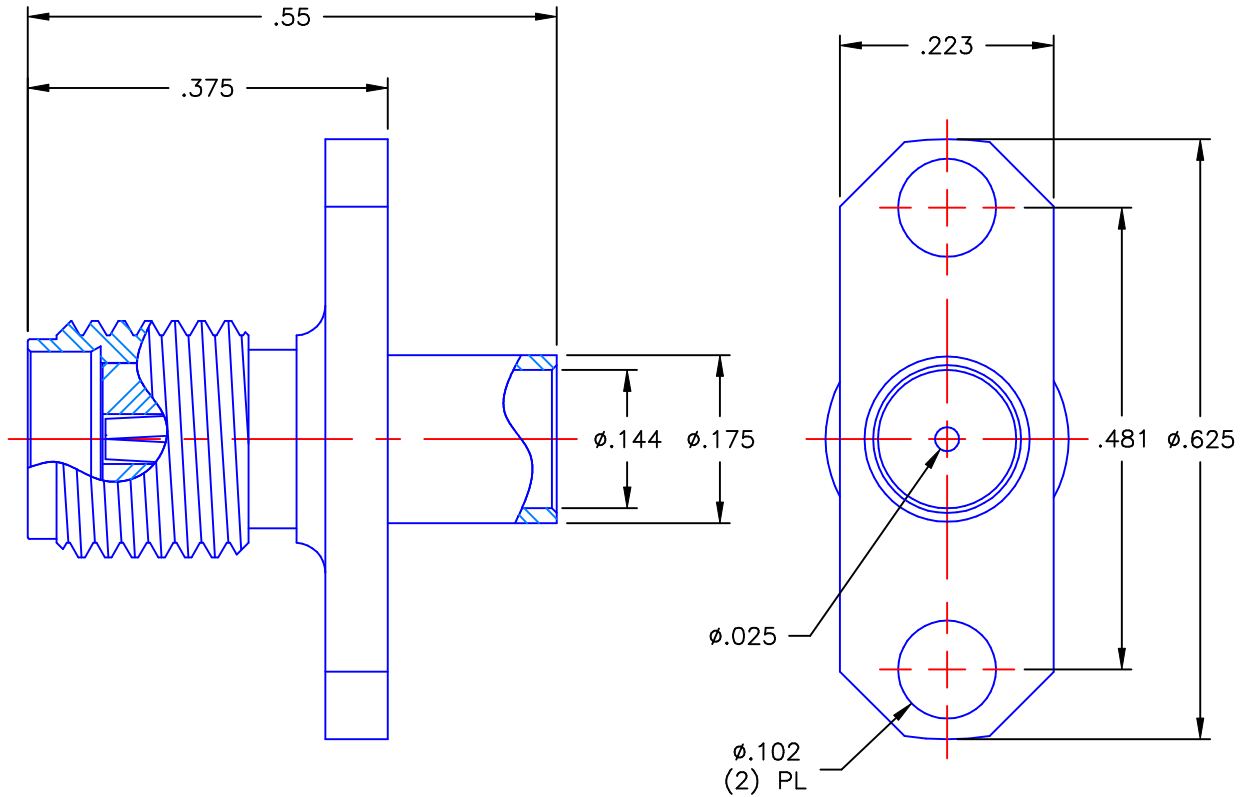


REVISIONS			
REV	DESCRIPTION	DATE	APPROVED
A	INITIAL RELEASE	08/17/10	A.D.M.




NOTES:

MATERIALS:

1. BODY = STAINLESS STEEL PER ASTM A582, ALLOY 303, CONDITION "A".
2. INSULATOR = VIRGIN WHITE TEFLON PER ASTM D1710, GRADE 1, TYPE I, CLASS "B".
3. CONTACT = BERYLLIUM COPPER PER ASTM B196, ALLOY C17300, TEMPER TD04.

FINISHES:

1. BODY = GOLD PLATE PER MIL-G-45204, TYPE II, CLASS 0, GRADE C, OVER .000050 TO .00010 STRESS FREE NICKEL PER QQ-N-290.
2. CONTACT = GOLD PLATE PER MIL-G-45204, TYPE II, CLASS 1, GRADE C, OVER .00010 TO .00020 STRESS FREE SULFAMATE NICKEL PER QQ-N-290.

UNLESS OTHERWISE SPECIFIED DIMENSIONS ARE IN INCHES TOLERANCES ON	DWN:	DATE	 Property of Radiall This document cannot be reproduced or communicated to a third party without prior written permission of RADIALL.			
	A.D.M.	08/17/10				
	DECIMAL	ANGLE	CHKD:	DATE	SMA STRAIGHT PANEL JACK 2 HOLE FLANGE MOUNT DIRECT SOLDER ATTACHMENT FOR .141 S\R & SIMILAR CABLES	
		D.N.	08/17/10			
		APVD:	DATE			
REFERENCE:	MATERIALS & FINISHES:		SIZE	FSCM NO.	DWG NO.	REV
ORIGINATOR: A.D.M. DATE: 08/17/10	SEE NOTES		A	19505	9441-1083-009	A
			SCALE 5:1	THIRD ANGLE PROJECTION		SHEET 1 OF 1

9441-1083-009