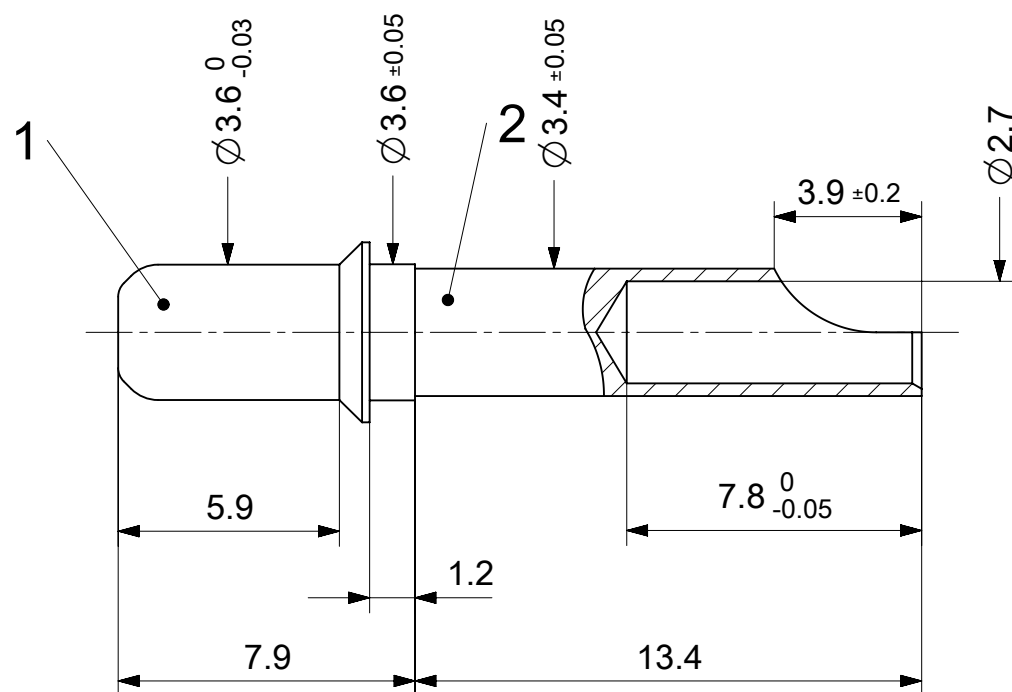


2:1



RoHS compliant
by exemption

1731121230	FMP146P103I	103
1731121231	FMP146P180I	180
Material Number	FCT Part Number	Material + Finish See extra sheet

UNLESS OTHERWISE SPECIFIED DIMENSIONS FOR REFERENCE ONLY				REPLACEMENT FOR DOCUMENT NUMBER: FMP146P_I					
THIS DRAWING CONTAINS INFORMATION THAT IS PROPRIETARY TO MOLEX ELECTRONIC TECHNOLOGIES, LLC AND SHOULD NOT BE USED WITHOUT WRITTEN PERMISSION									
FUNCTIONAL SYMBOLS	DIMENSION UNITS	SCALE	CURRENT REV DESC:						
	$\frac{F}{A} = 0$	mm	5:1	<p>molex</p> <p>FCT 20A HIGH POWER CONTACT FOR D-SUB</p> <p>PRODUCT CUSTOMER DRAWING</p>					
	$\frac{F}{E} = 0$	GENERAL TOLERANCES (UNLESS SPECIFIED)							
	$\frac{F}{P} = 0$	ANGULAR TOL	± °						
	DIVISIONAL SYMBOLS	4 PLACES	±						
3 PLACES	±								
2 PLACES	±								
1 PLACE	±								
0 PLACES	±								
INITIAL REVISION:			EC NO: 686704	2021/04/07					
DRWN: VLOKESHA			DRWN: VLOKESHA	2021/12/02					
APPR: MTEUBEL			APPR: MTEUBEL	2021/12/02					
DRAFT WHERE APPLICABLE MUST REMAIN WITHIN DIMENSIONS			FIRST ANGLE PROJECTION	DRAWING	SERIES	DOCUMENT NUMBER	DOC TYPE	DOC PART	REVISION
				A4-SIZE	173112	1731121230	PSD	000	A

DOCUMENT STATUS	P1	RELEASE DATE	2021/12/02	10:15:21
-----------------	----	--------------	------------	----------