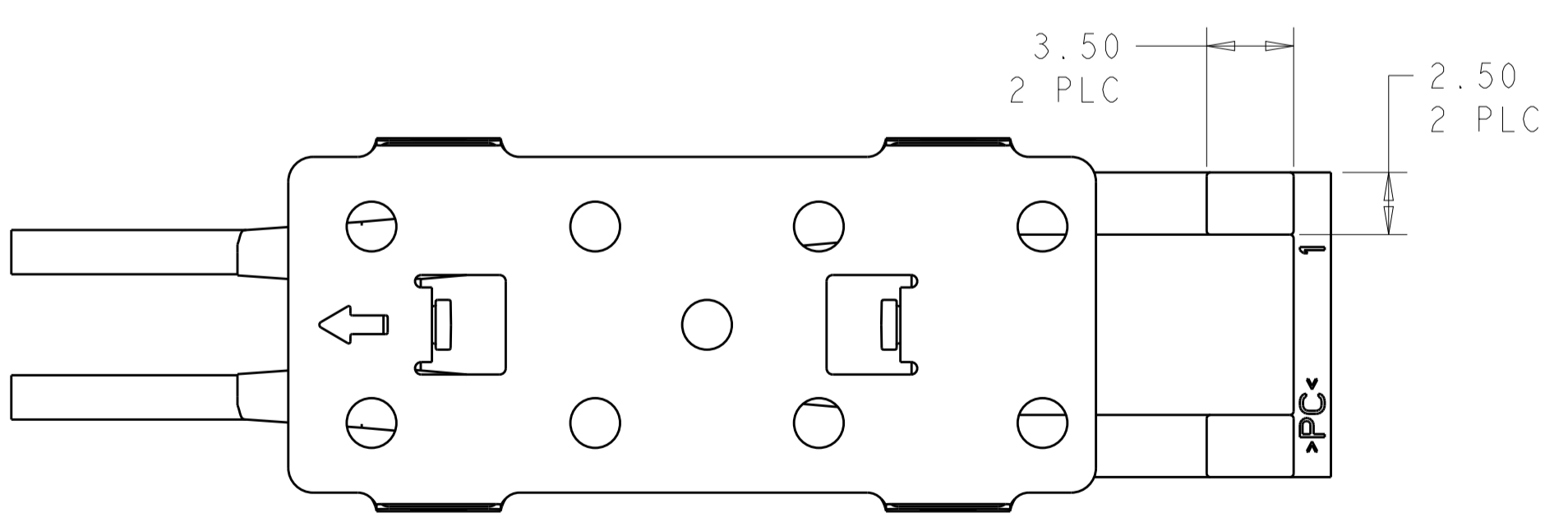
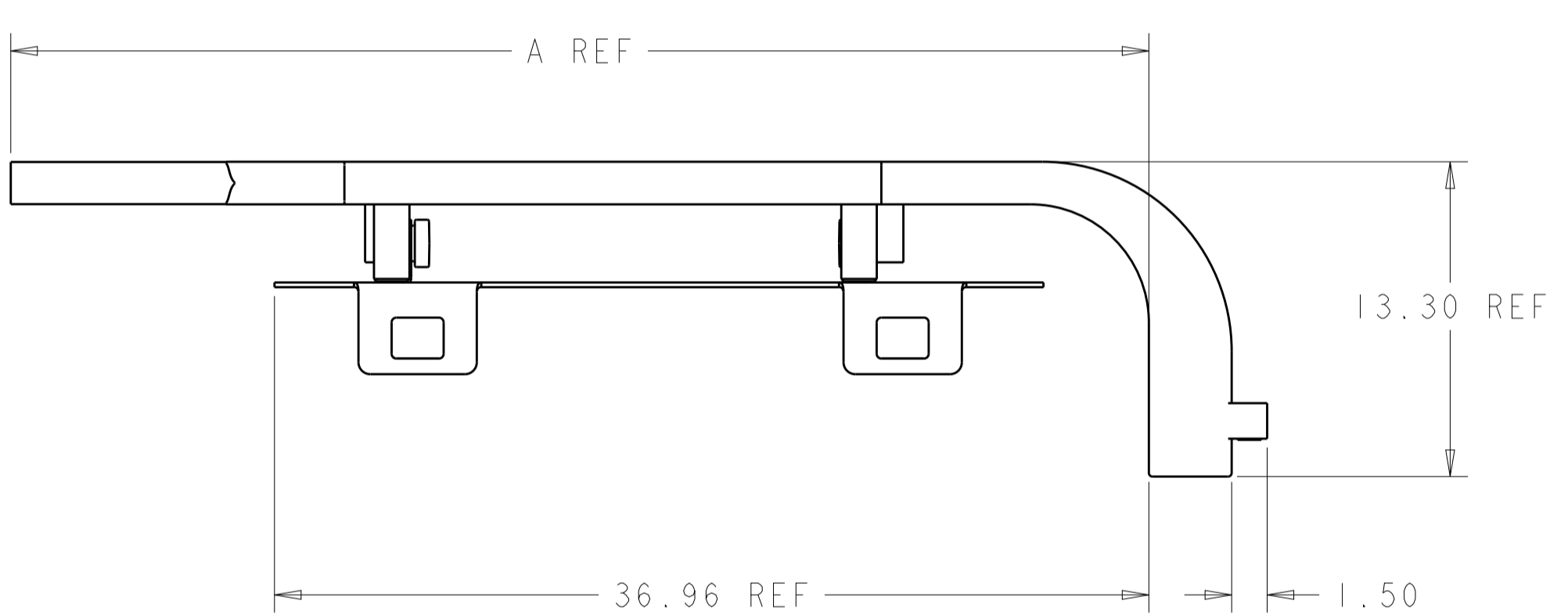
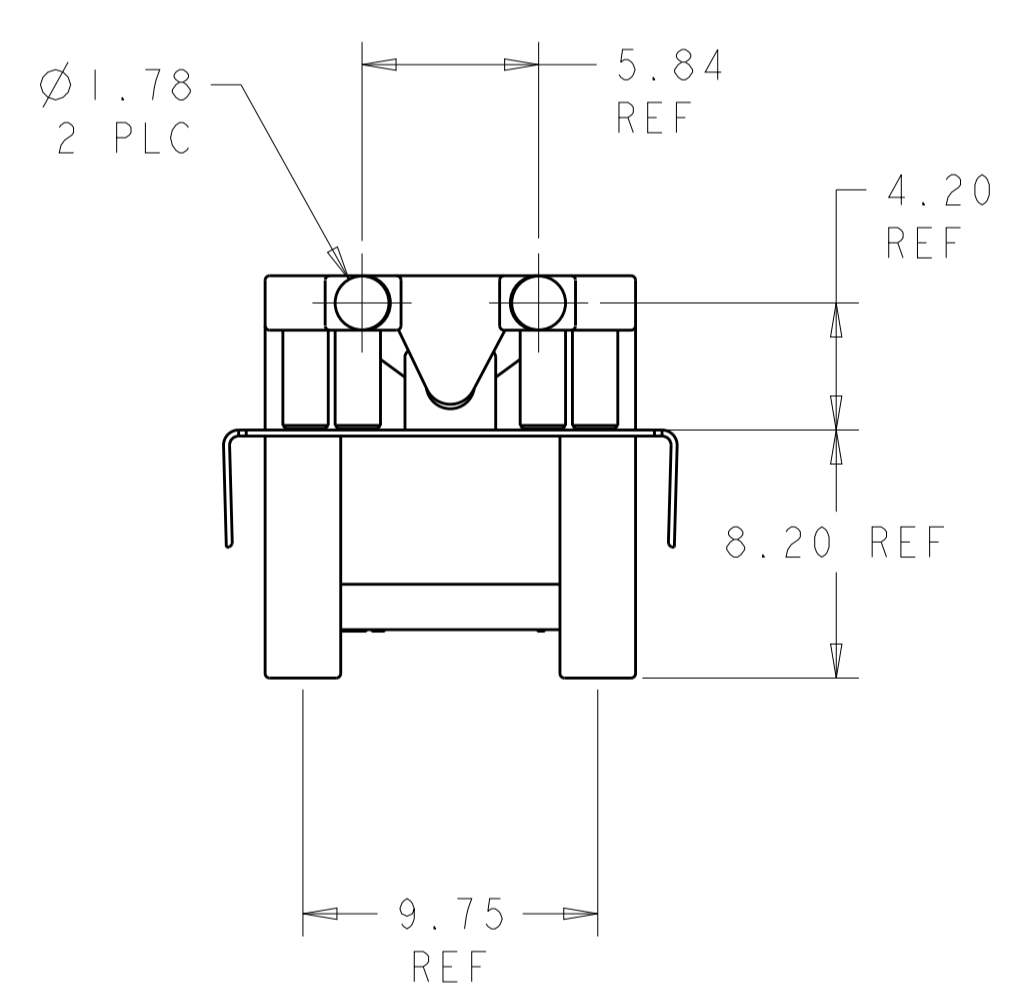
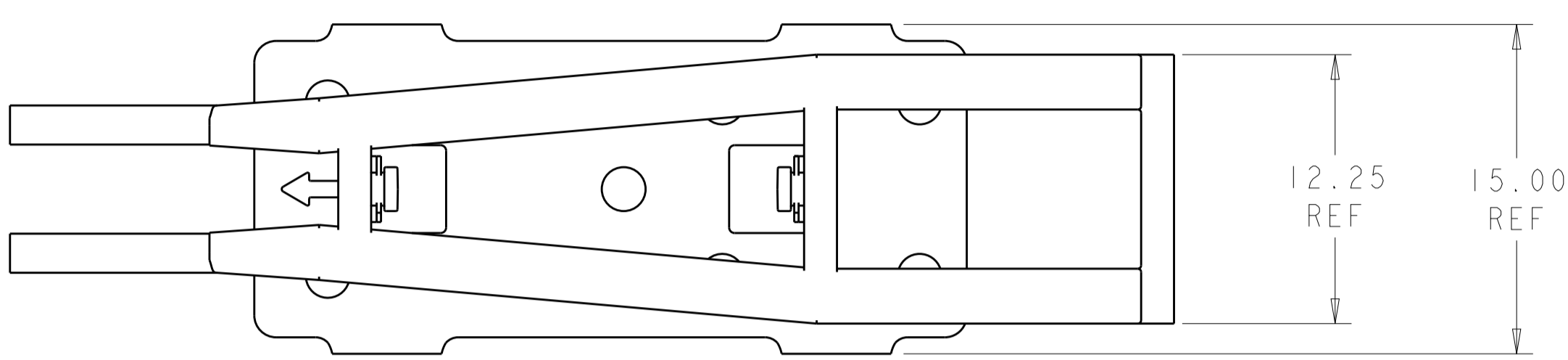
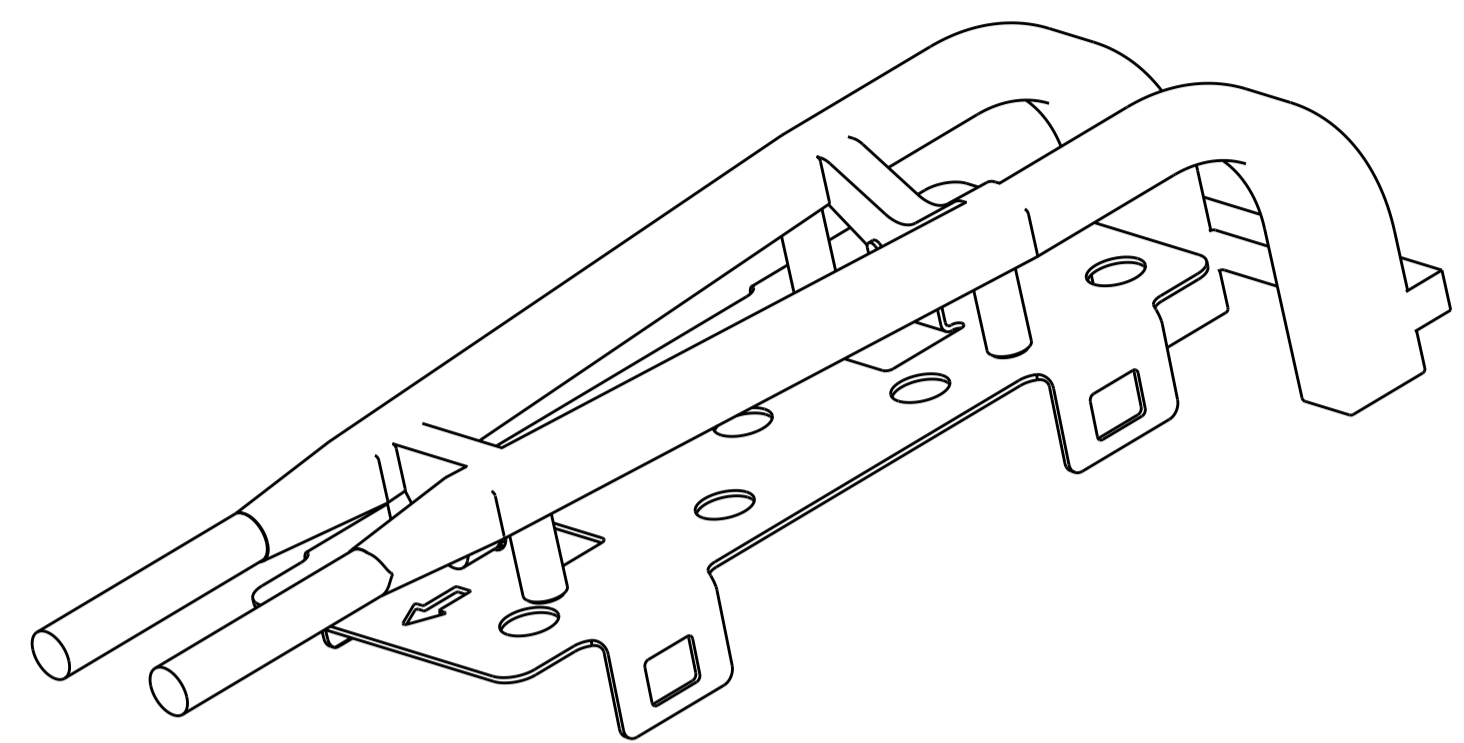


LOC	DIST	REVISIONS					
		P.	LTN	DESCRIPTION	DATE	DWN	APVD
ES	00	B		ECO-08-002182	14JAN08	ML	SY
		C		REVISED PER ECO-12-003825	17FEB2012	JY	AC
		D		REVISED PER ECO-19-001591	31JAN2019	ES	SH

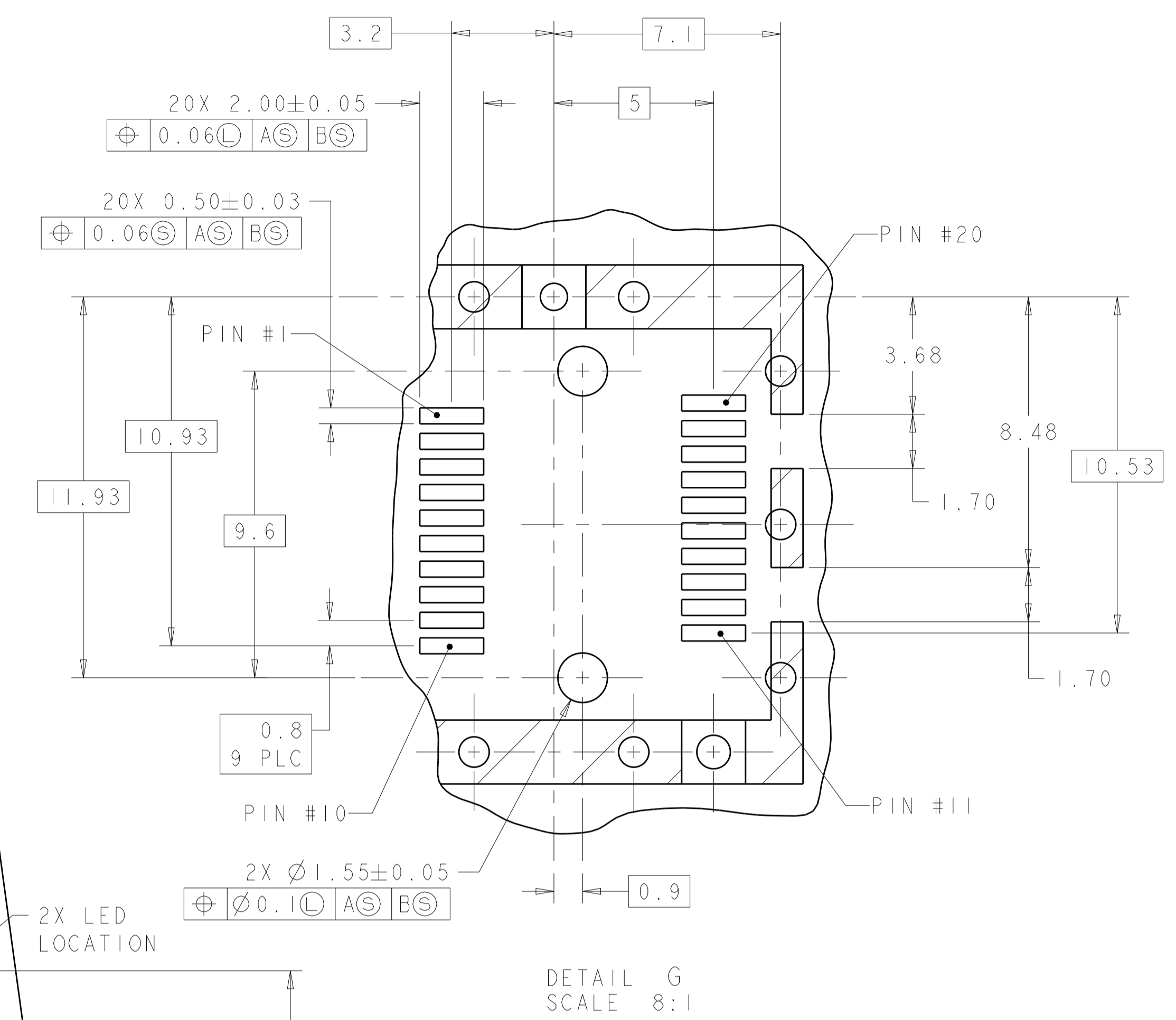
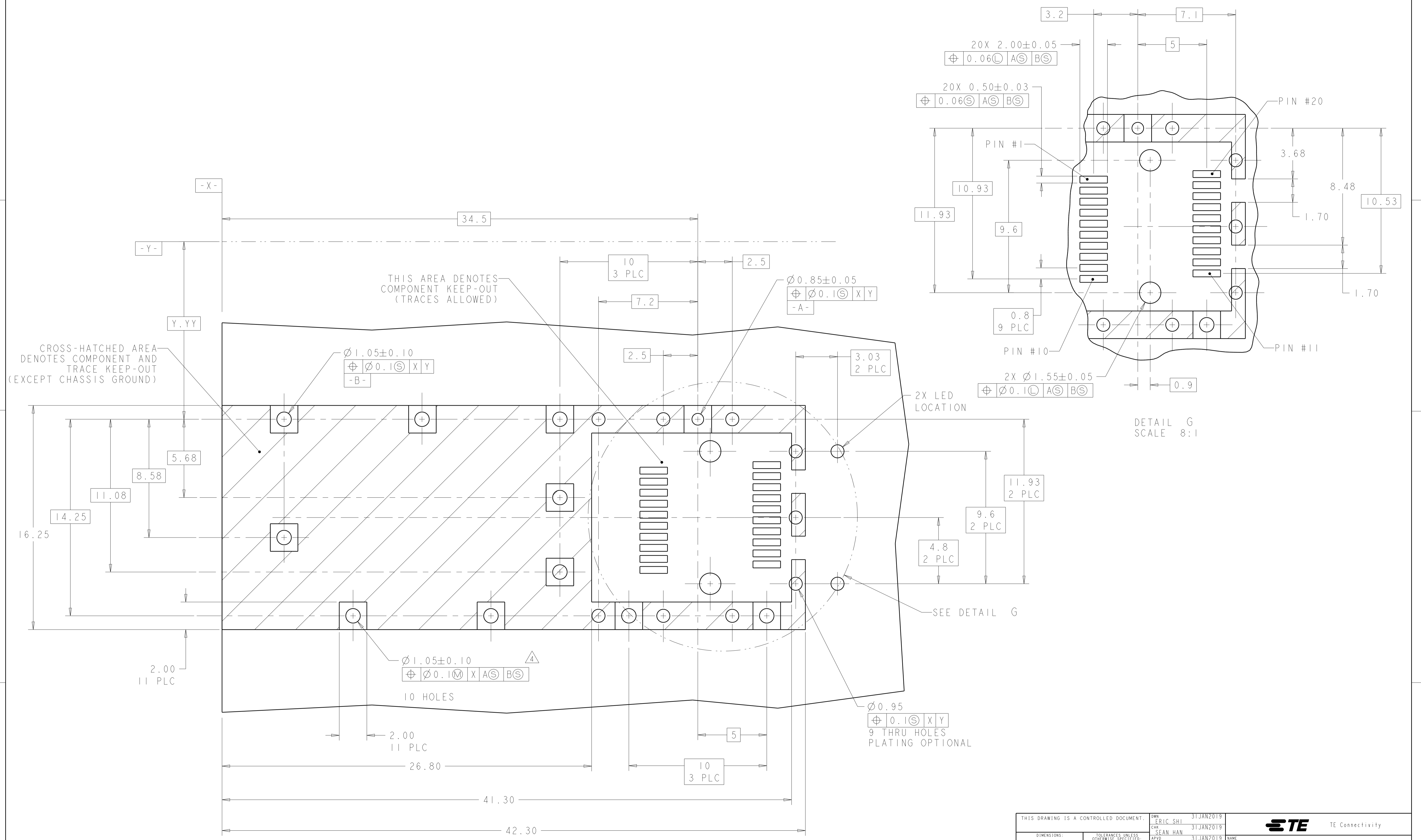


1. MATERIAL:
 LIGHTPIPE: POLYCARBONATE, CLEAR
 LIGHTPIPE BRACKET: STAINLESS STEEL.

46.90	1367627-8
47.00	1367627-2
48.10	1367627-1
DIM A	PART NUMBER

THIS DRAWING IS A CONTROLLED DOCUMENT.		DWN: ERIC SHI 31JAN2019	TE Connectivity
DIMENSIONS: mm		CHK: SEAN HAN 31JAN2019	
TOLERANCES UNLESS OTHERWISE SPECIFIED: 0 PLC ± 1 PLC ±0.10 2 PLC ± 3 PLC ± 4 PLC ± ANGLES ±		APVD: SEAN HAN 31JAN2019	NAME: LIGHT PIPE ASSEMBLY FOR IXI SFP
MATERIAL: FINISH:		WEIGHT:	RESTRICTED TO: A100779C=1367627
CUSTOMER DRAWING		SCALE: 2:1	SHEET 1 OF 3 REV D

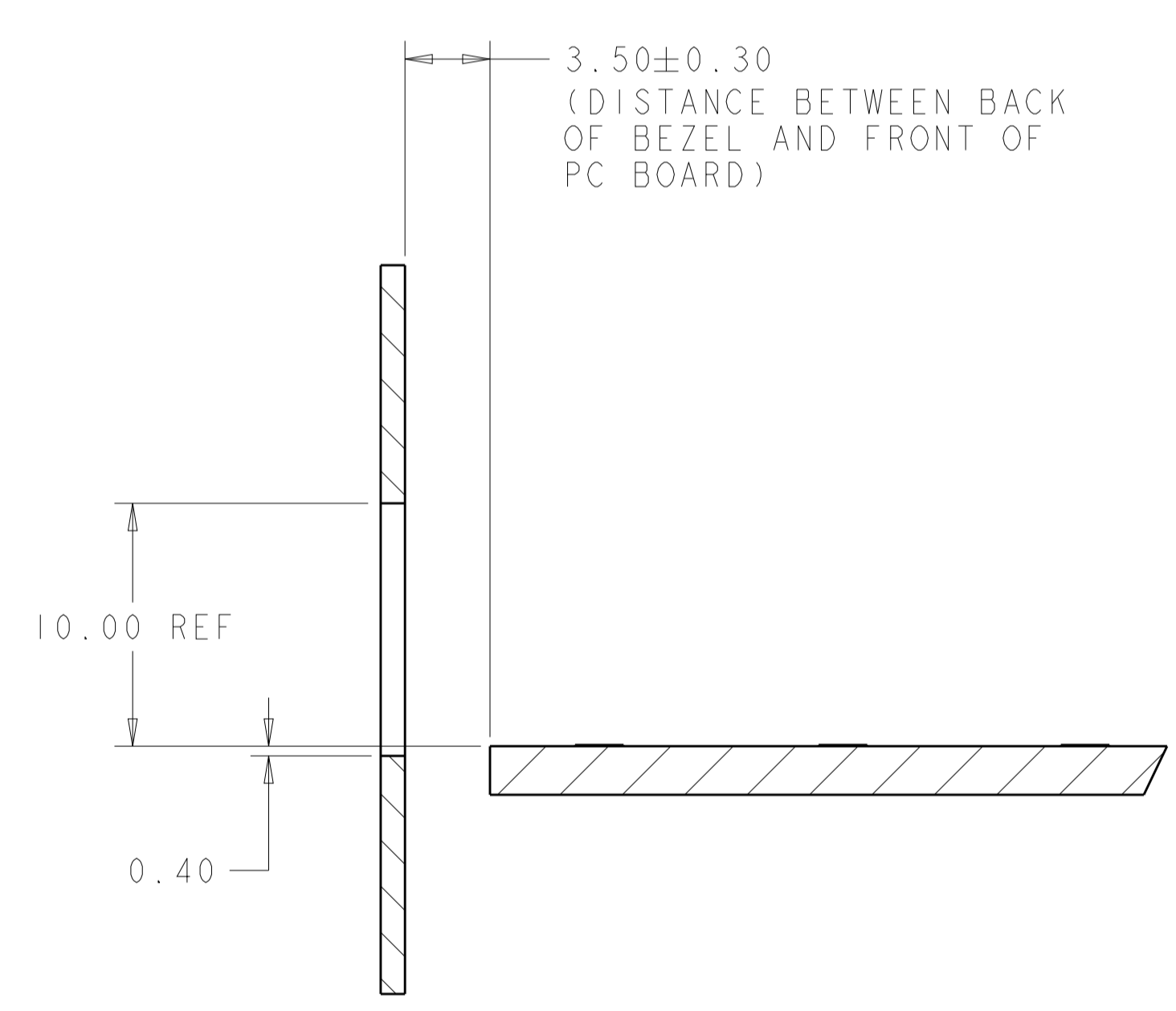
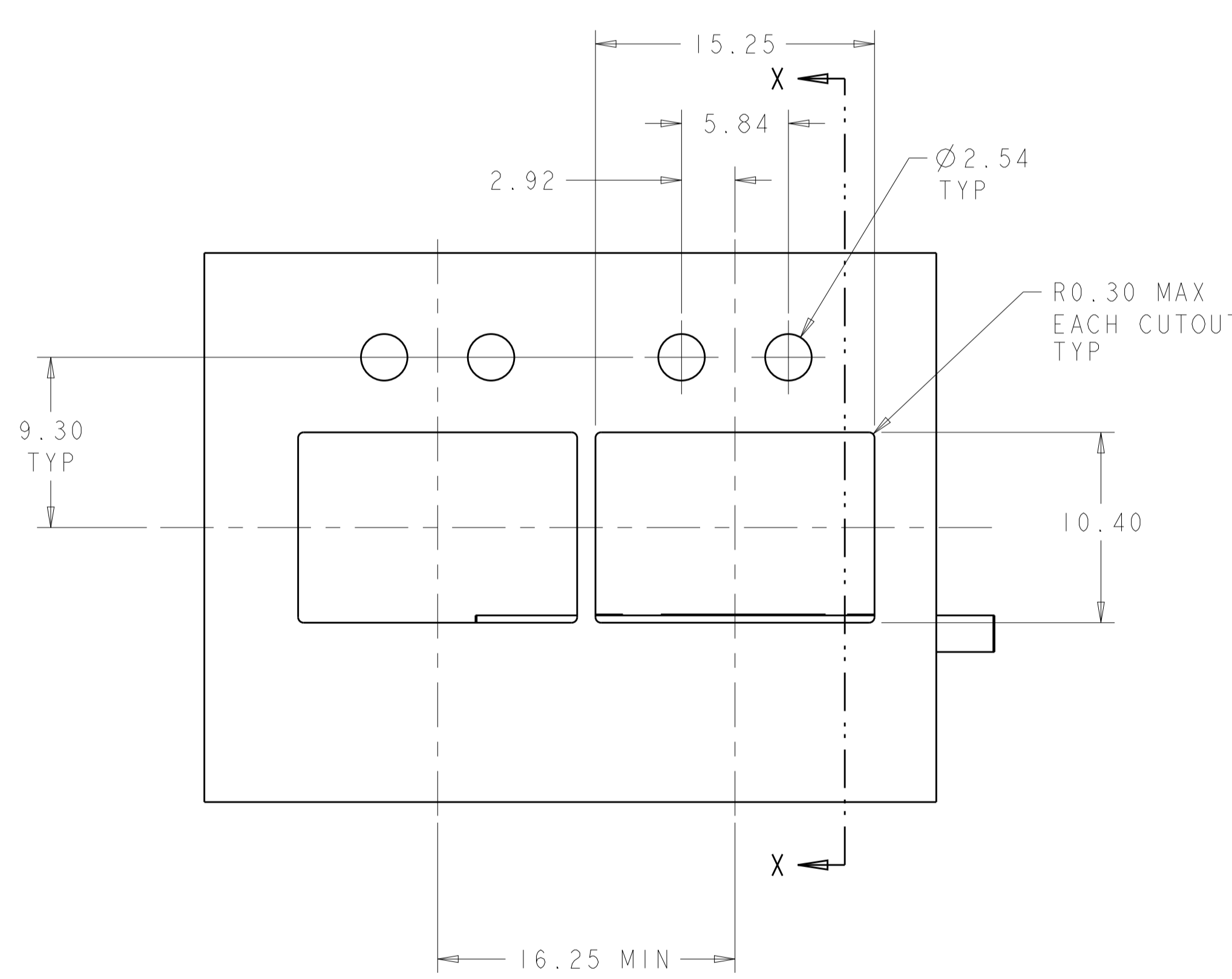
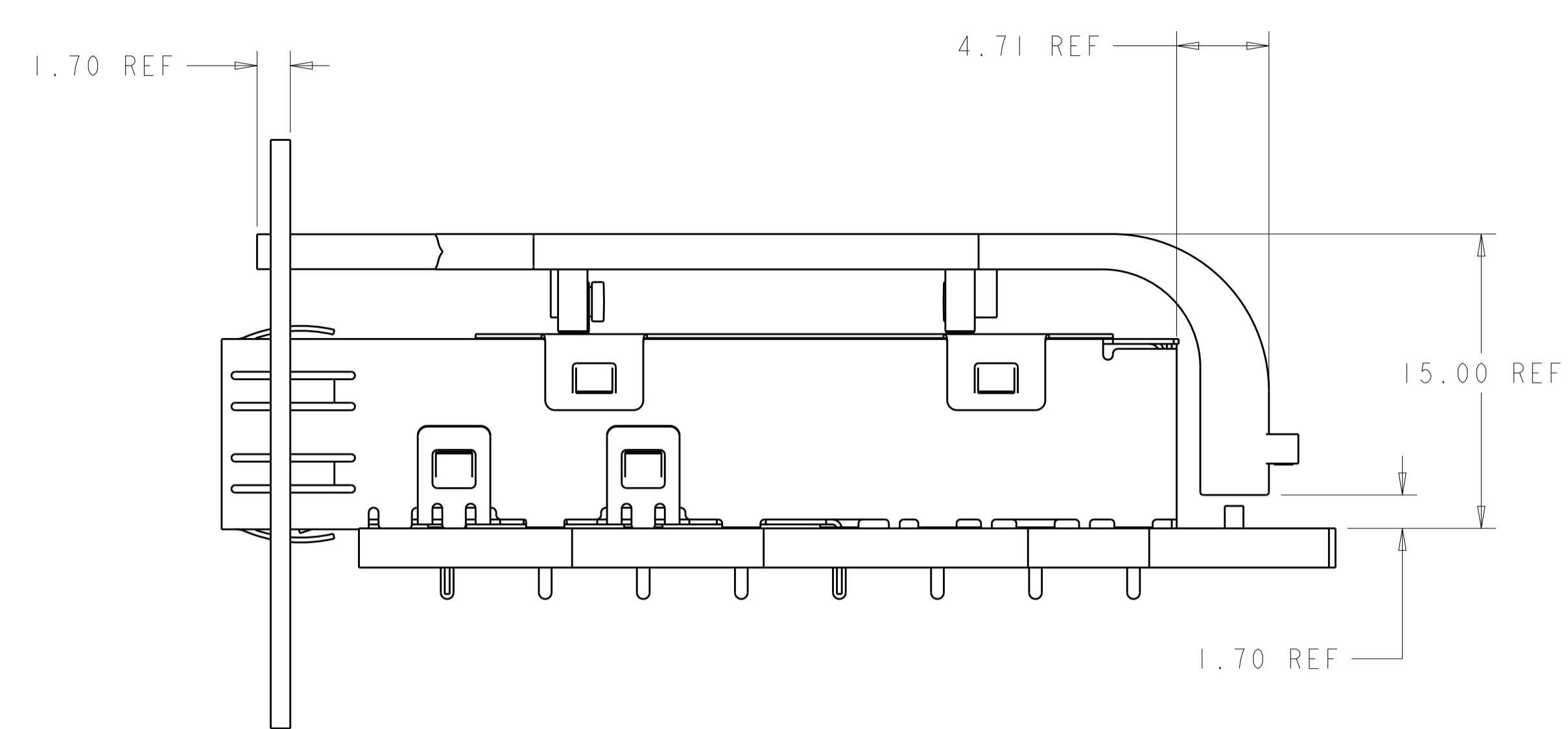
LOC		DIST		REVISIONS			
ES	00	P	LTH	DESCRIPTION	DATE	DWN	APVD
				SEE SHEET 1			



RECOMMENDED PCB LAYOUT
 SCALE 8:1

THIS DRAWING IS A CONTROLLED DOCUMENT.		DWN: ERIC SHI 31JAN2019	TE Connectivity
DIMENSIONS: mm		CHK: SEAN HAN 31JAN2019	
TOLERANCES UNLESS OTHERWISE SPECIFIED:		APVD: SEAN HAN 31JAN2019	NAME: LIGHT PIPE ASSEMBLY FOR IXI SFP
0 PLC ±	1 PLC ±0.10	PRODUCT SPEC	SIZE: CAGE CODE: DRAWING NO: A100779C=1367627
2 PLC ±	3 PLC ±	APPLICATION SPEC	RESTRICTED TO:
4 PLC ±	ANGLES ±	WEIGHT	SCALE: 2:1 SHEET 2 OF 3 REV D
MATERIAL:	FINISH:	CUSTOMER DRAWING	

LOC		DIST		REVISIONS			
ES	00	P	LTH	DESCRIPTION	DATE	DWN	APVD
		-		SEE SHEET 1	-	-	-



SECTION X-X

RECOMMENDED BEZEL CUTOUT AND PC BOARD-BEZEL POSITION

THIS DRAWING IS A CONTROLLED DOCUMENT.		DWN: ERIC SHI 31JAN2019	TE Connectivity
DIMENSIONS: mm		CHK: SEAN HAN 31JAN2019	
TOLERANCES UNLESS OTHERWISE SPECIFIED:		APVD: SEAN HAN 31JAN2019	NAME: LIGHT PIPE ASSEMBLY FOR IXI SFP
0 PLC ±	1 PLC ±0.10	PRODUCT SPEC	SIZE: A100779
2 PLC ±	3 PLC ±	APPLICATION SPEC	CAGE CODE: C=1367627
4 PLC ±	ANGLES ±	WEIGHT	RESTRICTED TO
MATERIAL	FINISH	CUSTOMER DRAWING	SCALE: 2:1 SHEET 3 OF 3 REV D