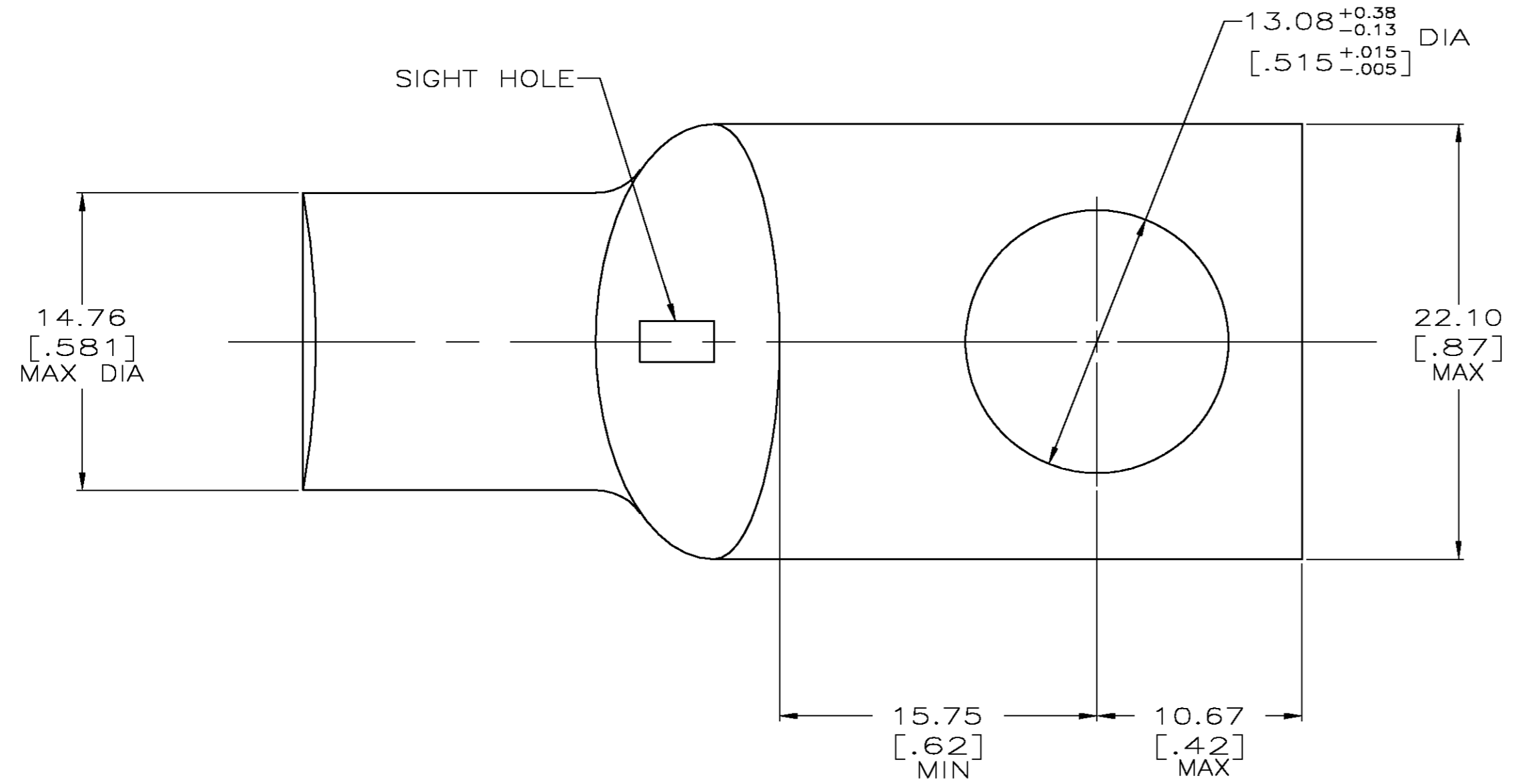
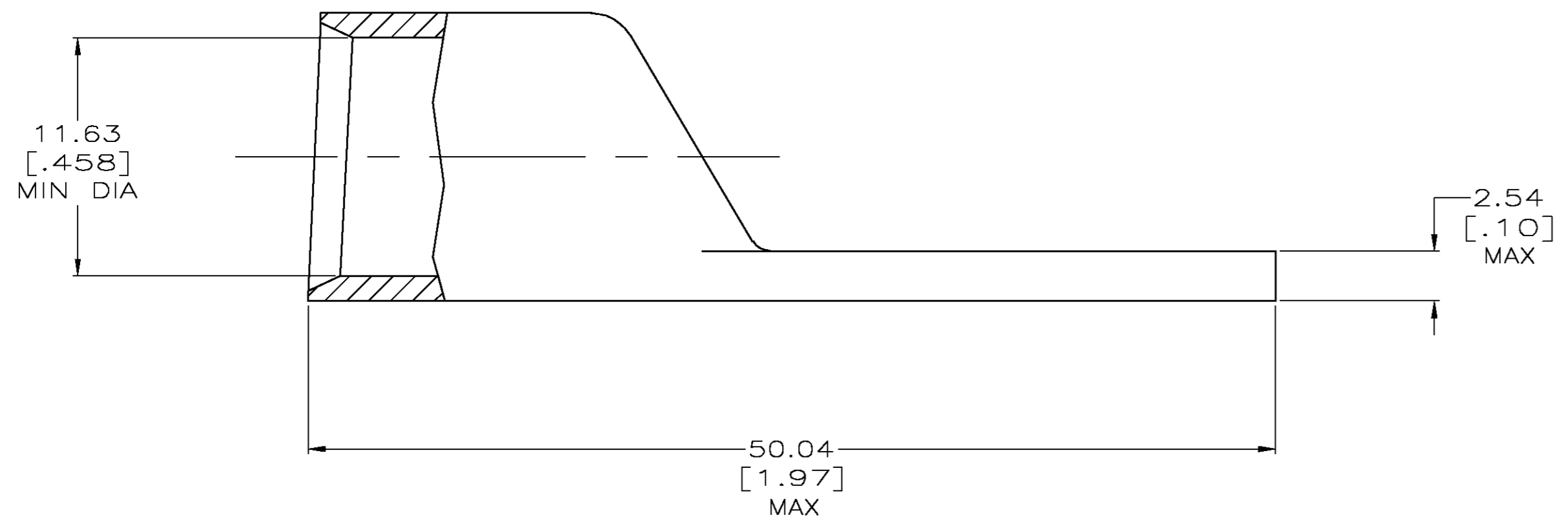


THIS DRAWING IS UNPUBLISHED. RELEASED FOR PUBLICATION
 © COPYRIGHT BY TYCO ELECTRONICS CORPORATION. ALL RIGHTS RESERVED.

| LOC | DIST | REVISIONS | | | | | |
|-----|------|-----------|-----|----------------------|---------|-----|------|
| G | 86 | P | LTR | DESCRIPTION | DATE | DWN | APVD |
| | | U | | REV PER 0G3A-0538-03 | 02SEP03 | JR | MS |



- 1 CIRCULAR MIL RANGE: 83,700-119,500 CM
- 2 TIN PL 0.00381[.000150] MIN THK PER MIL-T-10727
- 3 ANNEALED COPPER PER ASTM B-75



| | |
|-------------------|----------|
| CLEANED, UNPLATED | 325305-4 |
| $\triangle 2$ | 325305 |
| FINISH | PART NO |

| | | | | | | |
|--------------------------------------------------------------------------------------|--|------------------|-----------|----------|------------------------------------------------------|------------------------------------------|
| THIS DRAWING IS A CONTROLLED DOCUMENT. | | DWN | DK SCHRUM | 02/28/90 | Tyco Electronics Corporation Harrisburg, PA 17105 | |
| DIMENSIONS: INCHES | | CHK | MS FEHER | 31AUG94 | | |
| TOLERANCES UNLESS OTHERWISE SPECIFIED: | | APVD | MJ SPICER | 31AUG94 | | |
| 0 PLC ± - 1 PLC ± - 2 PLC ± 0.51[.020] 3 PLC ± - 4 PLC ± - ANGLES ± - | | PRODUCT SPEC | - | | | |
| MATERIAL | | APPLICATION SPEC | - | | NAME | TERMINAL, AMPPOWER WIRE SIZE: 1/0 AWG |
| $\triangle 3$ | | FINISH | SEE TABLE | | SIZE | A2 |
| | | WEIGHT | .038 LB | | CAGE CODE | 00779 |
| | | CUSTOMER DRAWING | | | DRAWING NO | C=325305 |
| | | SCALE | 4:1 | | SHEET | 1 OF 1 |
| | | REV | U | | RESTRICTED TO | - |

325305