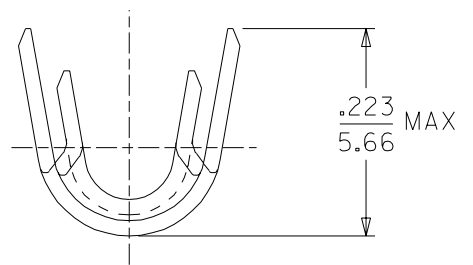
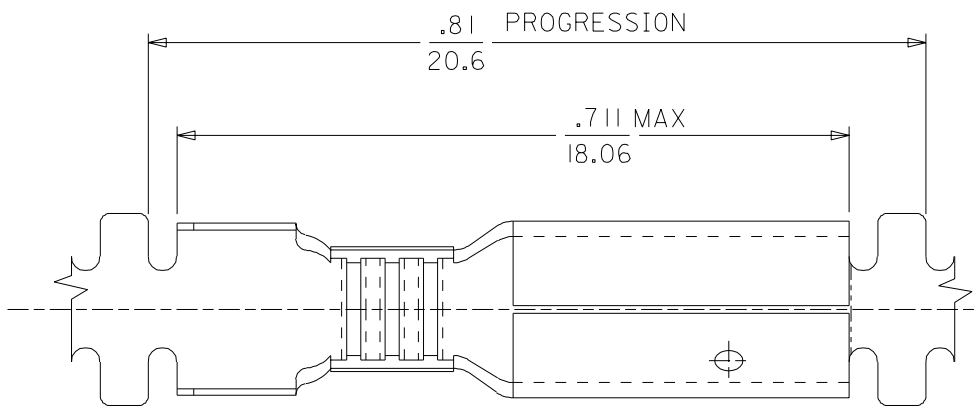
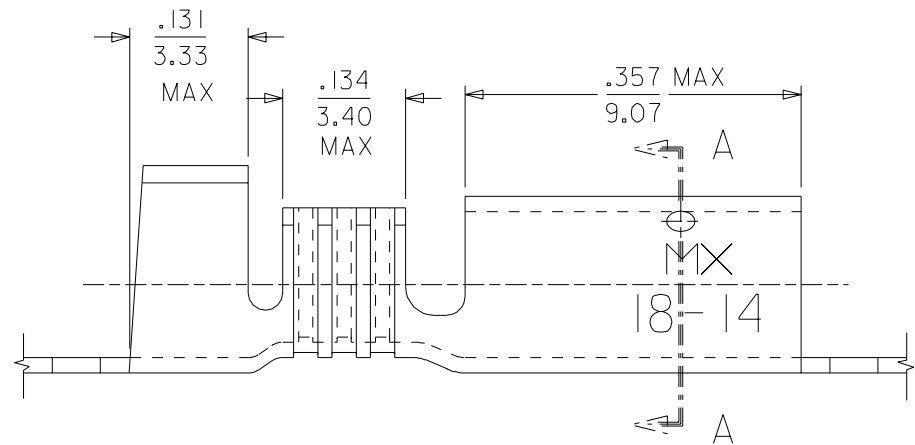


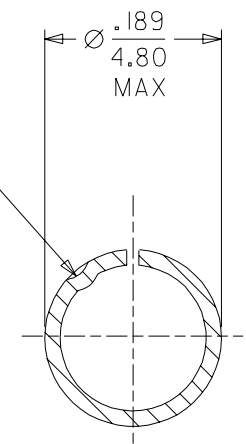
MATERIAL NO.	ENGINEERING NO.	DESCRIPTION	FINISH
197234100	19723-4100	CONTINUOUS STRIP WITH DIMPLE	UNPLATED
197234101	19723-4101	CONTINUOUS STRIP WITHOUT DIMPLE	
197234102	19723-4102	CONTINUOUS STRIP WITH DIMPLE	ELECTRO-TIN
197234103	19723-4103	CONTINUOUS STRIP WITHOUT DIMPLE	



BACKGROUND OMITTED FOR CLARITY



DIMPLE LOCATION OPTIONAL SEE CHART



SECTION A-A
BACKGROUND OMITTED FOR CLARITY

SALES DRAWING

NOTES:
1. MATERIA: BRASS.
2. PLATING: SEE CHART.

NEW RELEASE EC NO. ETC2004-0035 DRWN: BRE 03/08/08 CHK: HEB 03/08/08 APPR: RWD 03/08/08	QUALITY SYMBOLS MAJOR $\nabla=0$ CRITICAL $\triangle=0$	GENERAL TOLERANCES: (UNLESS SPECIFIED)	SCALE 4:1 DESIGN UNITS <input type="checkbox"/> mm <input checked="" type="checkbox"/> INCH	DIMENSIONS: <input type="checkbox"/> mm <input checked="" type="checkbox"/> INCH <input type="checkbox"/> mm ONLY	SHT REV REVISE ON CAD ONLY	
	DESCRIPTION MAJOR $\nabla=0$ CRITICAL $\triangle=0$	mm INCH 4 PLACES $\pm 0.$ $\pm .$ 3 PLACES $\pm 0.$ $\pm .$ 2 PLACES $\pm 0.$ $\pm .$ 1 PLACE $\pm 0.$ $\pm .$	DRAWN BY & DATE BRE 03/08/07	TITLE: SNAP PLUG RECEPTACLE .156 DIA VIBRAKRIMP 18-14 AWG CHAIN STAMPED	THIRD ANGLE PROJECTION <input checked="" type="checkbox"/>	
	REV A	ANGULAR: $\pm 1/2^\circ$ DRAFT WHERE APPLICABLE MUST REMAIN WITHIN DIMENSIONS	CHECKED BY & DATE HEB 03/08/07	MOLEX INCORPORATED	MATERIAL NO. SEE CHART DRAWING NO. SD-19723-002	SHEET NO. 1 OF 1 SIZE B
	THIS DRAWING CONTAINS INFORMATION THAT IS PROPRIETARY TO MOLEX INCORPORATED AND SHOULD NOT BE USED WITHOUT WRITTEN PERMISSION.		APPROVED BY & DATE RWD 03/08/07	CAD FILENAME SD-19723-002 .DWG	SHEET NO. 1 OF 1 SIZE B	