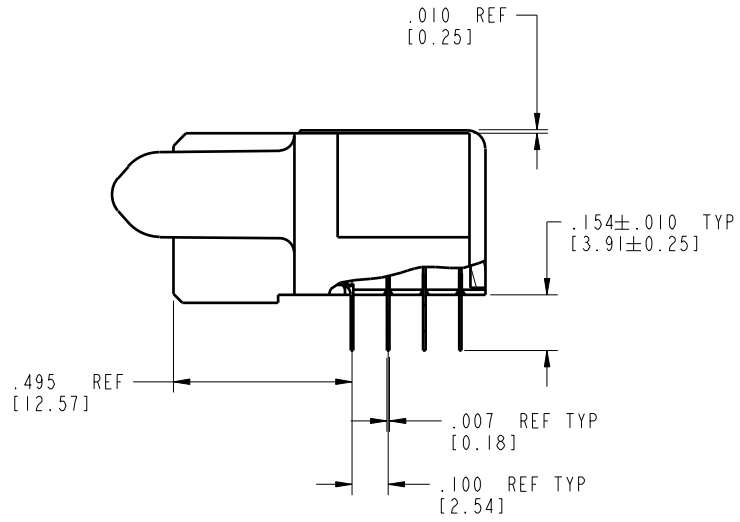




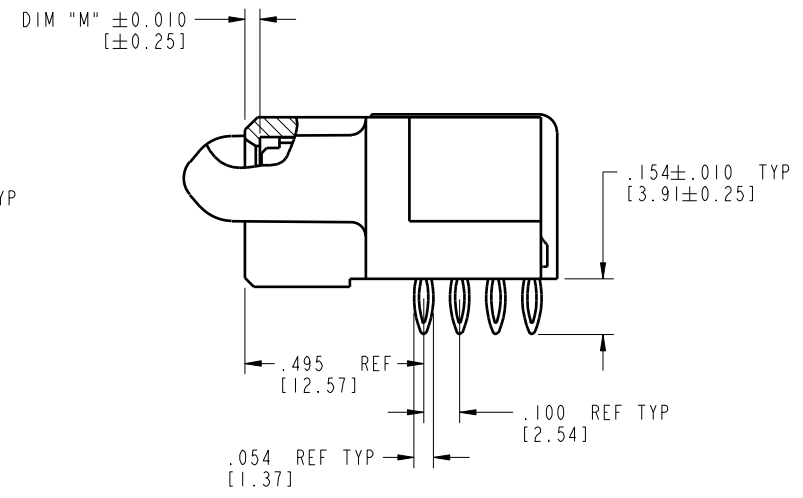
Tous droits strictement réservés. Reproduction ou communication à des tiers interdite sous quelque forme que ce soit sans autorisation écrite du propriétaire. Propriété de c FCI. Droits de reproduction FCI.

All rights strictly reserved. Reproduction or issue to third parties in any form whatsoever is not permitted without written authority from the proprietor. Property of FCI. Copyright FCI.

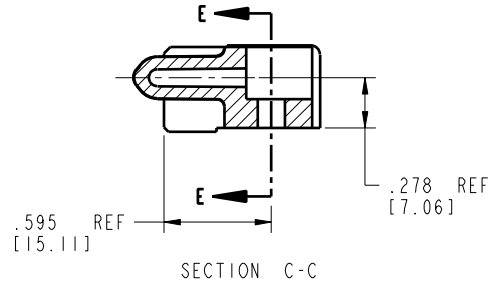
PRODUCT NUMBER  
51770-026--  
NOTE ③



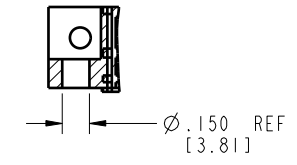
BROKEN-OUT SECTION A-A  
SCALE 2:1



BROKEN-OUT SECTION B-B  
SCALE 2:1



SECTION C-C



PARTIAL SECTION E-E

mat'l code				SEE NOTE 2	tolerances unless otherwise specified		CUSTOMER		<b>FCI</b>	www.fciconnect.com
lir	ecr no.	dr	date	linear	.XX±.01/0.X±0.3	COPY		projection		
A				angles	.XXX±.005/0.XX±0.13	INCH/MM		title	IP + 16S + 1P	
				dr	.XXX±.002/0.XXX±0.051	scale		R/A PRESS FIT RECEPTACLE	product family	
				engr	0° ± 2°	1:1		size	PwrBlade	
				chr	RYAN YUAN 02/23/06			dwg no	code	
				appd	SALLY LUO 02/23/06			A	51770-026	
					BEER FU 02/23/06			sheet	213	
					JOSEPH HSIA 02/23/06			sheet	2 of 4	
sheet index	revision	sheet								

code code 22526

Pro/E



Tous droits strictement réservés. Reproduction ou communication o des liers interdite sous quelque forme que ce soit sans autorisation écrite du propriétaire. Propriété de c FCI. Droits de reproduction FCI.



All rights strictly reserved. Reproduction or issue to third parties in any form whatsoever is not permitted without written authority from the proprietor. Property of FCI. Copyright FCI.

**PRODUCT NUMBER**  
51770-026--  
NOTE ③

NOTES:

1. DIMENSIONS AND TOLERANCES ARE IN ACCORDANCE WITH ASME Y14.5M, 1994 UNLESS OTHERWISE SPECIFIED.

CONNECTOR NOTES:

② HOUSING MATERIAL: UL 94 V-0 GLASS FILLED HIGH-TEMP THERMOPLASTIC  
POWER CONTACT MATERIAL: COPPER ALLOY  
SIGNAL PIN MATERIAL: COPPER ALLOY

③ PLATING:  
SEE PRINT 10064183 FOR PLATING SPEC OF 51770-026; 51770-026LF

④ MANUFACTURER'S NAME, P/N, AND DATE CODE TO APPEAR ON THIS SURFACE.

5. PRODUCT SPECIFICATION GS-12-149.  
APPLICATION SPECIFICATION BUS-20-067.

6. PACKAGED IN TRAYS.

PCB NOTES:

7. ALL HOLE DIAMETERS ARE FINISHED HOLE SIZE.

⑧ MOUNTING HOLES, WHERE APPLICABLE, ARE UNPLATED.

⑨  $\varnothing .0453 \pm .0010$  [1.151 ± 0.025] DRILLED HOLES PLATED WITH  
.0003 [0.008] MIN SnPb OVER .001 [0.03]  
TO .003 [0.08] Cu PLATING TO ACHIEVE  
 $\varnothing .040 \pm .003$  [1.02 ± .07] HOLE.

⑩ "DIM XXX" TO BE DETERMINED BY THE CUSTOMER.

⑪ CONNECTOR KEEP-OUT ZONE.

12. USE FCI CAM TOOL 430140-XXX  
TO APPLY CONNECTOR TO PCB.

mat'l code				SEE NOTE 2	tolerances unless otherwise specified		CUSTOMER		<b>A</b> FCI		www.fciconnect.com	
lir	ecm no.	dr	date	linear	.XX±.01/0.X±0.3	COPY		projection		title		IP + 16S + 1P
A					.XXX±.005/0.XX±0.13					R/A PRESS FIT RECEPTACLE		
				angles	.XXX±.002/0.XXX±0.051					product family		PwrBlade
				dr	0° ± 2°			INCH/MM		size		213
				engr	RYAN YUAN 02/23/06			scale		dwg no		sheet
				chr	SALLY LUO 02/23/06			1:1		51770-026		4 of 4
				opod	BEER FU 02/23/06							
					JOSEPH HSIA 02/23/06							
sheet index	revision sheet											

code code 22526

Pro/E