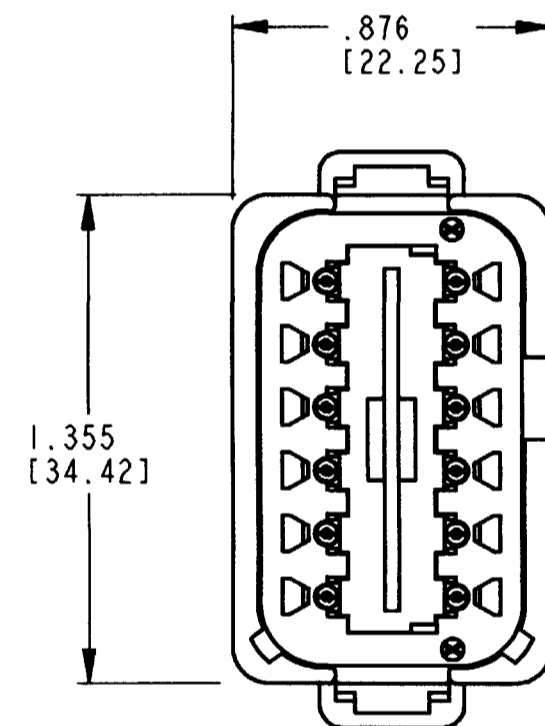
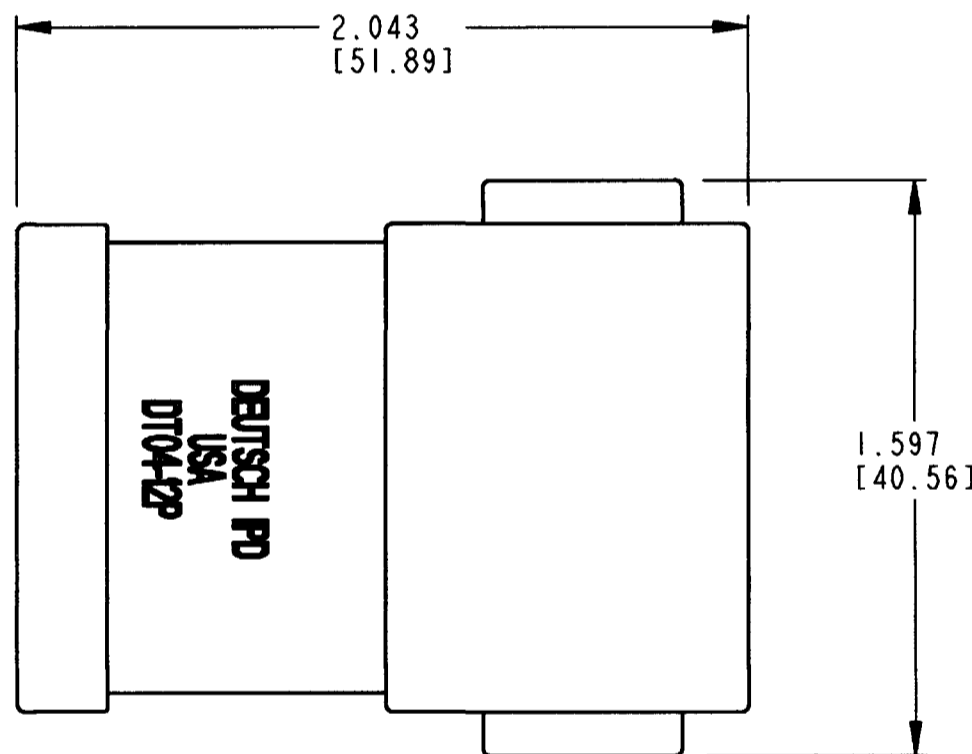
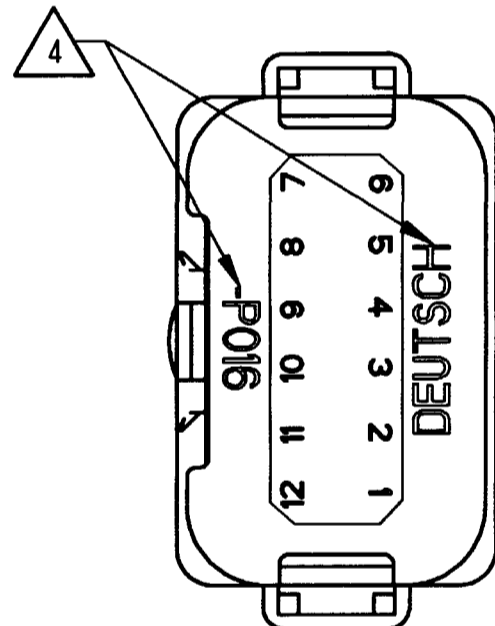


3D VIEW



REV
A DT04-12PB-P016

REVISIONS			
SYM	DESCRIPTION	DATE	APPROVED
NC	NEW RELEASE PER E.O. P15921	7/27/99	J. E. N.
A	REVISION PER E.O. P16266	9/2/99	

- NOTES:
5. THE 12 PIN BUSBAR HAS A MAXIMUM CURRENT RATING OF 76 AMPS.
 4. ORIENTATION OF "DEUTSCH" AND "-P016" TO BE OPTIONAL.
 3. THIS DT04-12PB-P016 MATES WITH DT06-12SB-**** (**** = ALL MODIFICATIONS). CONSULT FACTORY FOR MODIFICATIONS.
 2. DIMENSIONS ARE ±.025[0.63] UNLESS OTHERWISE SPECIFIED.
 1. DIMENSIONS ARE IN INCHES [MILLIMETERS].

SIGNATURE & DATE	
DR	M. GONZALEZ 8/20/99
CHK	9/2/99
PE	9/7/99
APPD	9/2/99
SCALE	NONE WT

DT 12 WAY RECEPTACLE
KEY ARRANGEMENT -B-
12 PIN BUSBAR-GOLD PLATED
COLOR: BLACK

ENVELOPE

CP	MATL. CODE
The Deutsch Company DEUTSCH I.P.D. 3850 INDUSTRIAL AVE. HEMET, CALIF. 92545	
B	DT04-12PB-P016
DWG SIZE	CODE 11139 SHEET OF