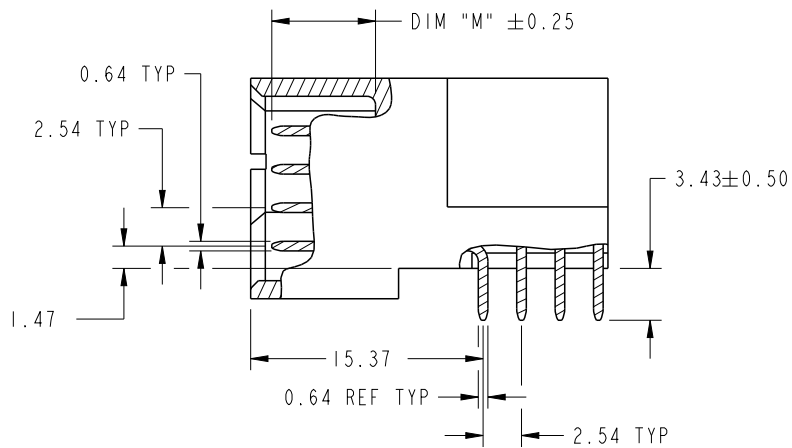


CODE	DIM "M" MATING LENGTH	CONTACT TYPE
U	[6.86]	SIGNAL
T	[6.86]	SIGNAL
S	[6.86]	SIGNAL
R	[6.86]	SIGNAL
PA	[N/A]	POWER
E	[5.59]	SIGNAL

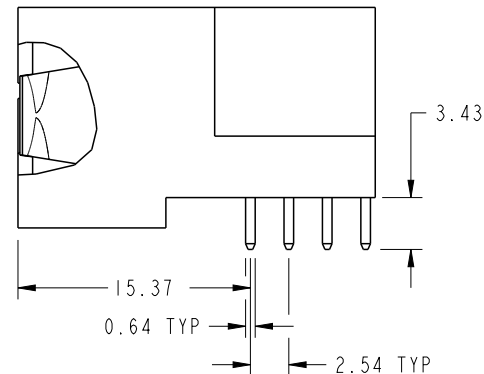
spec ref	See Notes		dr	X Q Wang	2011/05/14	projection 	MM ←→	size	A4	scale	1:1	
tolerance std	TOLERANCES UNLESS OTHERWISE SPECIFIED		eng	X Q Wang	2011/06/14			ecn no	-			
See Notes			chr	-	-			rel level	Released			
surface	linear	0.X	±0.5	FCI www.fci.com	title	10P + 20S + 10P RIGHT ANGLE SOLDER HEADER		dwg no	51939-598		rev	A
		0.XX	±0.25									
		0.XXX	±0.1									
	angular	0°	±2°	cat. no.	-	Product - Customer Drw		sheet 1 of 4				

PRODUCT NUMBER

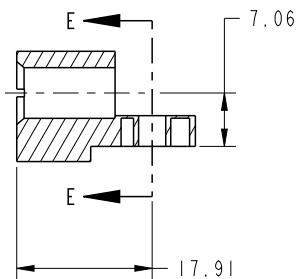
51939-598_
NOTE: 3



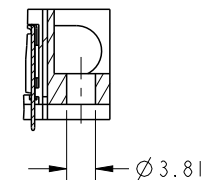
BROKEN-OUT SECTION A-A
SCALE 2:1



BROKEN-OUT SECTION B-B
SCALE 2:1



SECTION C-C

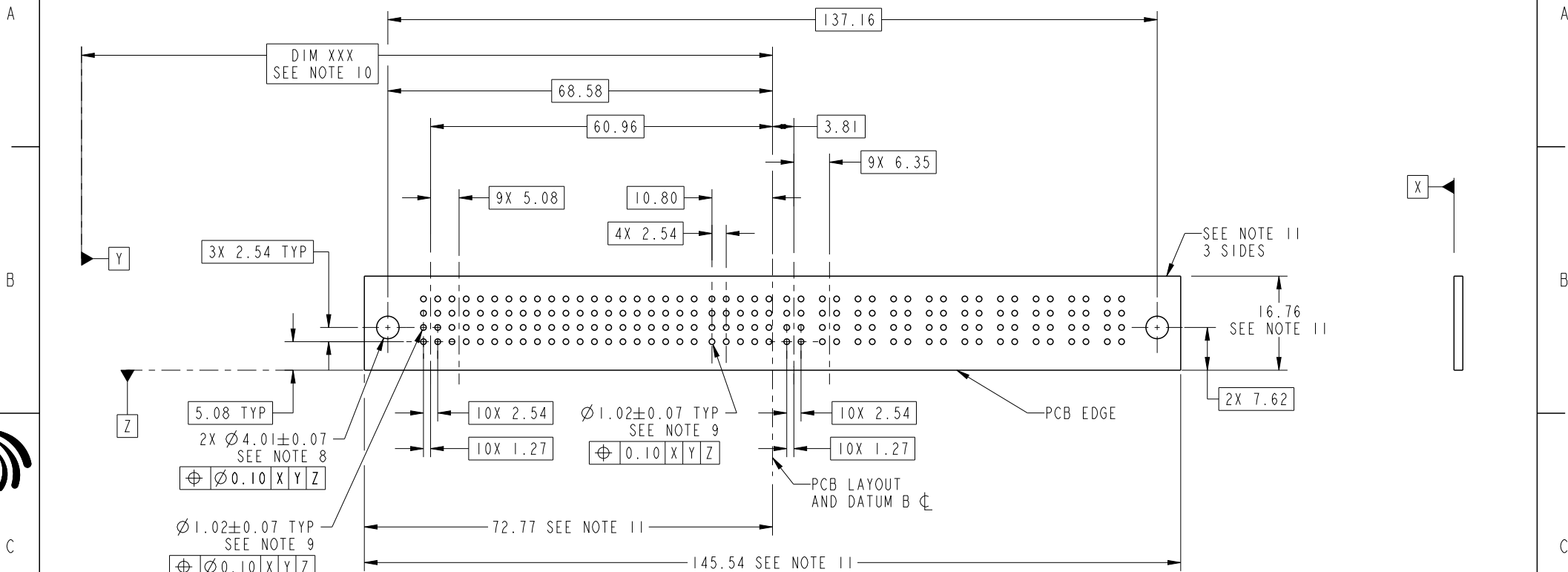


PARTIAL SECTION E-E

spec ref	See Notes			dr	X Q Wang	2011/05/14	projection 	MM 	size	A4	scale	1:1
tolerance std	TOLERANCES UNLESS OTHERWISE SPECIFIED			eng	X Q Wang	2011/06/14			ecn no	-		
See Notes				chr	-	-			rel level	Released		
surface	linear	0.X	±0.5	FCj www.fci.com	title	10P + 20S + 10P		dwg no	51939-598		rev	A
		0.XX	±0.25			RIGHT ANGLE SOLDER HEADER						
	angular	0°	±2°			cat. no.	-		Product - Customer Drw	sheet 2 of 4		

PRODUCT NUMBER

51939-598_
NOTE: 3



RECOMMENDED PCB LAYOUT

spec ref	See Notes			dr	X Q Wang	2011/05/14	projection 	MM 	size	A4	scale	1:1	
tolerance std	TOLERANCES UNLESS OTHERWISE SPECIFIED			eng	X Q Wang	2011/06/14			ecn no	-			
See Notes				chr	-	-			rel level	Released			
surface	linear	0.X	±0.5	FCI www.fci.com	title	10P + 20S + 10P			dwg no	51939-598		rev	A
		0.XX	±0.25			RIGHT ANGLE SOLDER HEADER							
		0.XXX	±0.1			cat. no.	-	Product - Customer Drw		sheet 3 of 4			
	angular	0°	±2°										

Prdr File - REV C - 2009-06-09



Copyright FCI.

PRODUCT NUMBER

51939-598__
NOTE: 3

NOTES:

1. DIMENSIONS AND TOLERANCES ARE IN ACCORDANCE WITH ASME Y14.5M, 1994 UNLESS OTHERWISE SPECIFIED.

CONNECTOR NOTES:

- 2. HOUSING MATERIAL: UL 94 V-0 GLASS FILLED HIGH-TEMP THERMOPLASTIC
POWER CONTACT MATERIAL: COPPER ALLOY
SIGNAL PIN MATERIAL: COPPER ALLOY
- 3. SEE ITEM 1 & 2 IN PRINT 10064183 FOR PLATING SPEC OF 51939-598 AND 51939-598LF RESPECTIVELY.
- 4. MANUFACTURER'S NAME, DATE CODE AND OPTIONAL P/N TO APPEAR ON THIS SURFACE. THE P/N CAN BE OMITTED IF THERE IS NOT ENOUGH SPACE ON THIS SURFACE.
- 5. PRODUCT SPECIFICATION GS-12-149.
APPLICATION SPECIFICATION BUS-20-067.
- 6. PACKAGED IN TRAYS.

PCB NOTES:

- 7. ALL HOLE DIAMETERS ARE FINISHED HOLE SIZE.
- 8. MOUNTING HOLES, WHERE APPLICABLE, ARE UNPLATED.
- 9. $\varnothing 1.151 \pm 0.025$ DRILLED HOLES PLATED WITH
0.008 MIN SnPb OR Sn OVER 0.03
TO 0.08 Cu PLATING TO ACHIEVE
 $\varnothing 1.02 \pm 0.07$ HOLE.
- 10. "DIM XXX" TO BE DETERMINED BY THE CUSTOMER.
- 11. CONNECTOR KEEP-OUT ZONE.

spec ref	See Notes			dr	X Q Wang	2011/05/14	projection 	MM 	size	A4	scale	1:1	
tolerance std	TOLERANCES UNLESS OTHERWISE SPECIFIED			eng	X Q Wang	2011/06/14			ecn no	-			
See Notes				chr	-	-			product family	PwrBlade			rel level
surface	linear	0.X	± 0.5	FCj 	title	10P + 20S + 10P			dwg no	51939-598		rev	A
✓		0.XX	± 0.25			www.fci.com	cat. no.	-		Product - Customer Drw		sheet 4 of 4	
		0.XXX	± 0.1										
	angular	0°	$\pm 2^\circ$										