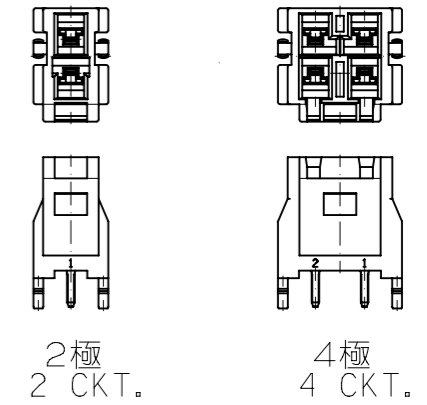
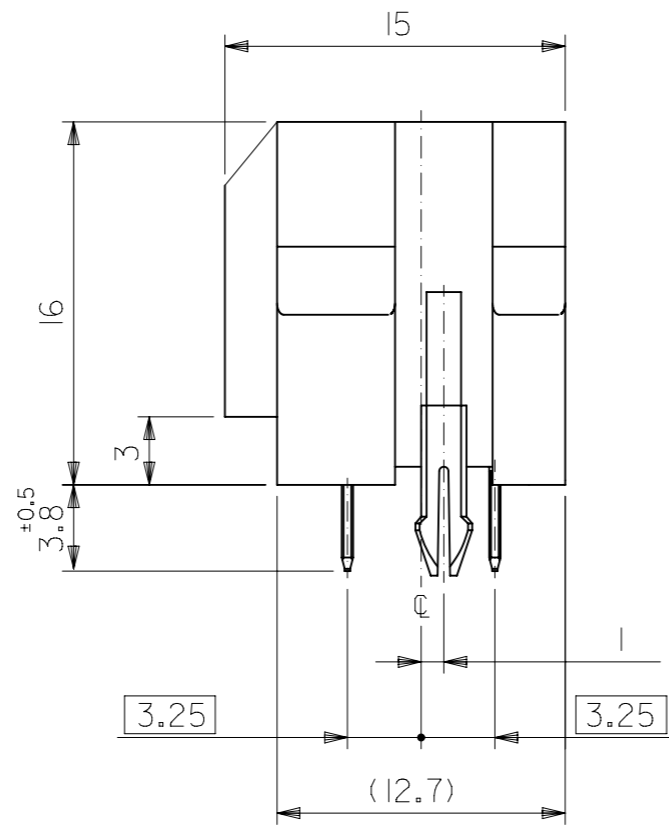
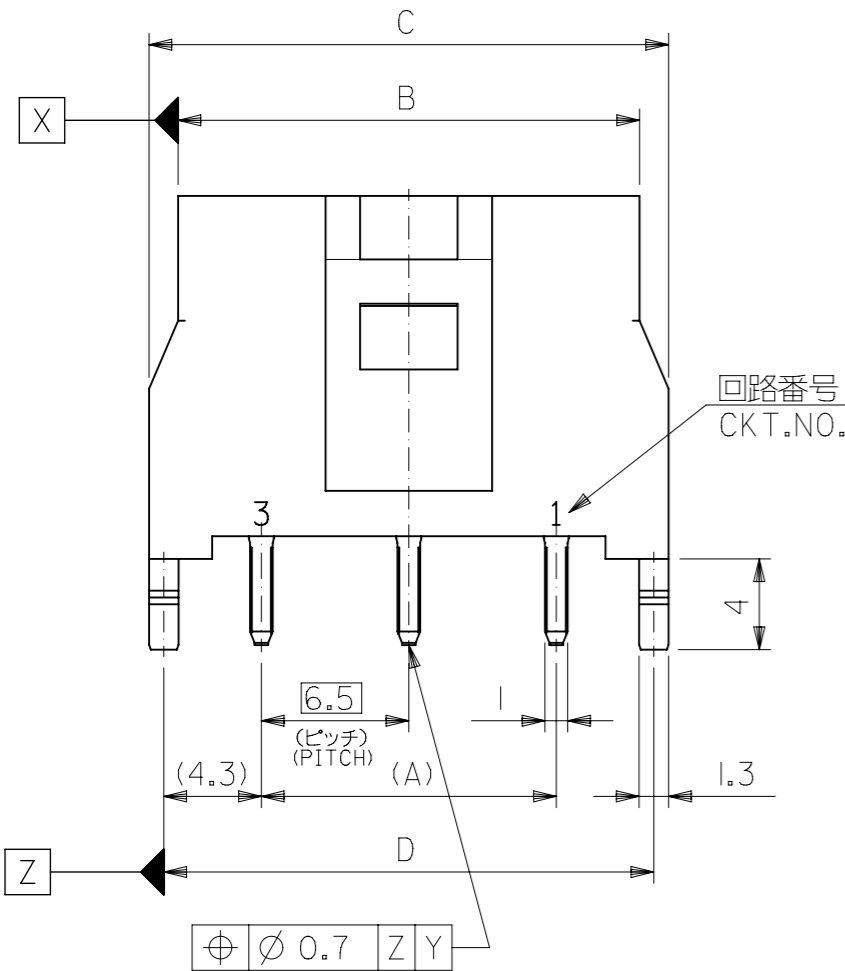


基板取り付け穴推奨寸法 (マウント面)
(基板厚: t1.6mm)
RECOMMENDED P.C. BOARD HOLE
DIM. (MOUNTING SIDE)
(THK.: t1.6mm)



ロック形状図
LOCK CONFIGURATION



注記
NOTES

- 1 嵌合相手: 51142シリーズ
MATE WITH: 51142 SERIES
- 2 材質 MATERIAL
ピン: 銅合金, ニッケル下地錫メッキ (t0.5)
PIN: COPPER ALLOY, TIN OVER NICKEL PLATED (t0.5)
ヘッダー: 66NYLON (ガラス入: 25%), UL94V-0
HEADER: 66NYLON(G.F.: 25%), UL94V-0
- 3 本製品は 53721-**10 の鉛フリー品である。
THIS PRODUCT IS LEAD FREE OF 53721-**10.

53721-**70	7.34	8.6	9.9	7.34	—#—	53721-0270	2
MODEL NO.	E	D	C	B	A	MATERIAL NO.	極数 CKT.

THIS DRAWING CONTAINS INFORMATION THAT IS PROPRIETARY TO MOLEX ELECTRONIC TECHNOLOGIES, LLC AND SHOULD NOT BE USED WITHOUT WRITTEN PERMISSION

DIMENSION UNITS		SCALE		CURRENT REV DESC: OBSOLETE PART NO			
mm		NTS					
GENERAL TOLERANCES (UNLESS SPECIFIED)							
角度 ANGLE		±3°		EC NO: 610661		2018/12/06	
30 以上 OVER		±0.3		DRWN: AKUMAR19		2019/01/31	
10 以上 30 未満 OVER		±0.25		CHK'D: GGA		2019/01/31	
10 未満 UNDER		±0.2		APPR: GGA		2019/01/31	
一般公差 GENERAL TOLERANCES		DRAFT WHERE APPLICABLE MUST REMAIN WITHIN DIMENSIONS		THIRD ANGLE PROJECTION		DRAWING SERIES MATERIAL NUMBER CUSTOMER SHEET NUMBER	
				A3-SIZE		53721 SEE TABLE GENERAL MARKET 1 OF 1	