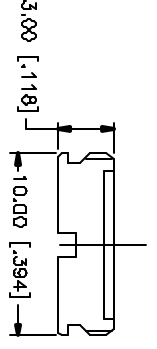
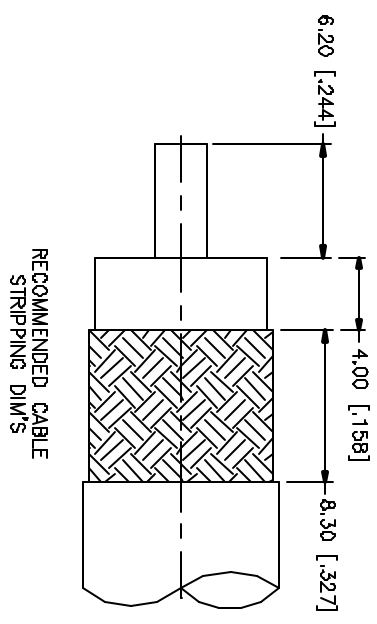
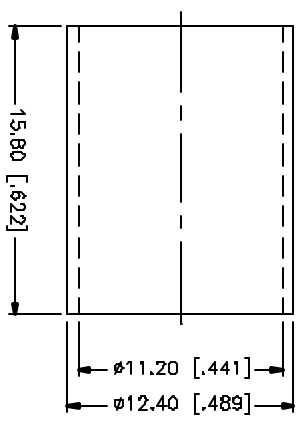
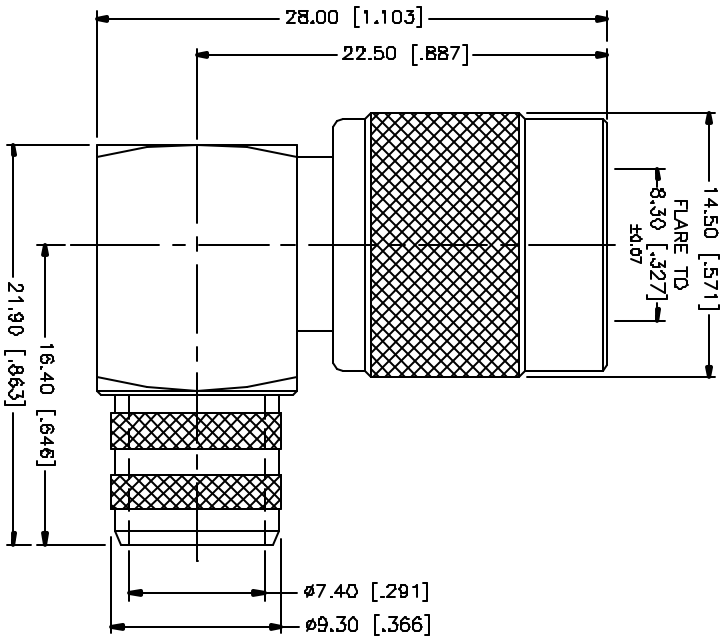


REV.	DATE	DESCRIPTION
NC	01/09/05	INITIAL RELEASE



- NOTES:
1. CRIMPED FERRULE HEX SIZE .429"
 2. SOLDER CENTER CONTACT.

DESCRIPTION	MATERIAL	FINISH	QTY
COVER	BRASS	NICKEL	1
FERRULE	COPPER	NICKEL	1
CONTACT PIN	BRASS	GOLD	1
INSULATOR	TEFLON	NATURAL	1
BODY	BRASS	NICKEL	1
DESCRIPTION	MATERIAL	FINISH	QTY

APPROVALS	DATE
DESIGN G.R.S.	01/09/05
CHECKED	
RESEL	
SHEET 1 OF 1	

UNLESS OTHERWISE SPECIFIED ENGINEERING UNITS SHALL BE IN MILLIMETERS AND DECIMALS THEREOF. UNLESS OTHERWISE SPECIFIED TOLERANCES FOR MILLIMETERS ARE:
0.5 - 30mm ± 0.20mm
30 - 120mm ± 0.40mm
120 - 150mm ± 0.50mm
UNLESS OTHERWISE SPECIFIED TOLERANCES FOR INCHES ARE:
0.020 - 0.315 ± 0.007"
0.315 - 1.180 ± 0.015"
1.180 - 4.724 ± 0.020"

DO NOT SCALE DRAWING
CAD FILE C:/122/122503.DWG

PART DESCRIPTION	PART NO.
TNC R/A CRIMP PLUG (FOR RG-214/U CABLE)	122503

DWG. NO.	REV.	NC	SIZE	SCALE
122503.DWG	NC		A	NA

Amphenol Connex