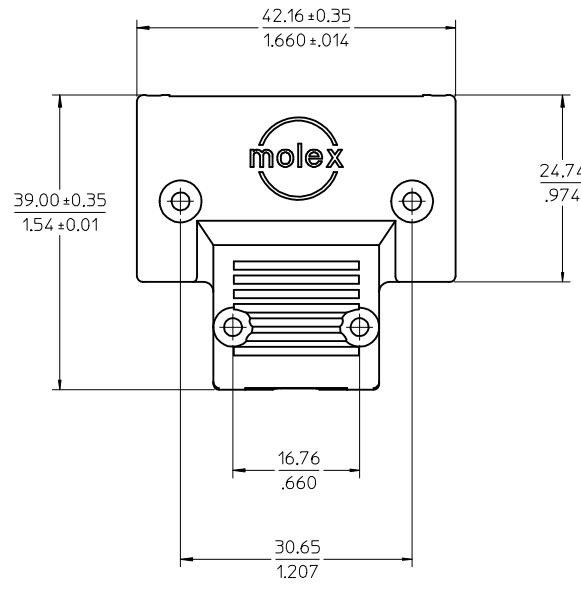
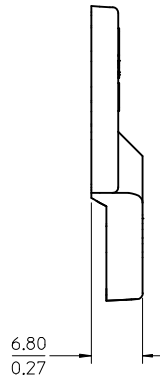
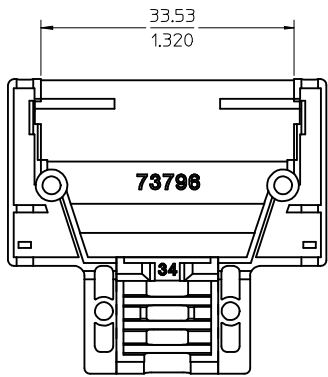


- NOTES:
1. MATERIAL: ZINC
  2. FINISH: NON-CONDUCTIVE BLACK FINISH  
OUTSIDE SURFACES ONLY
  3. THIS PART MATES WITH 71425-3001 AND 73796-2\*\*\*
  4. DULL NICKEL OVER COPPER FLASH.
  5. LOGO TO BE ON A 0.25(010) RAISED PAD.

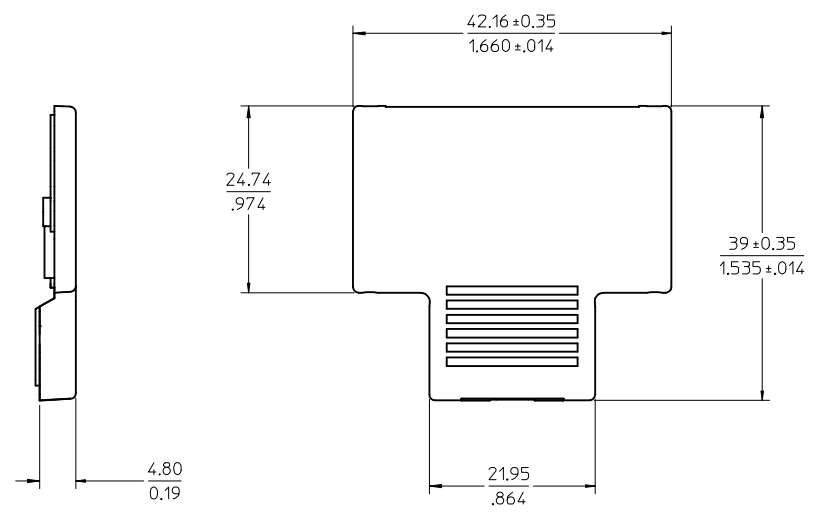
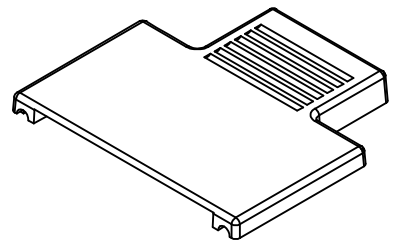
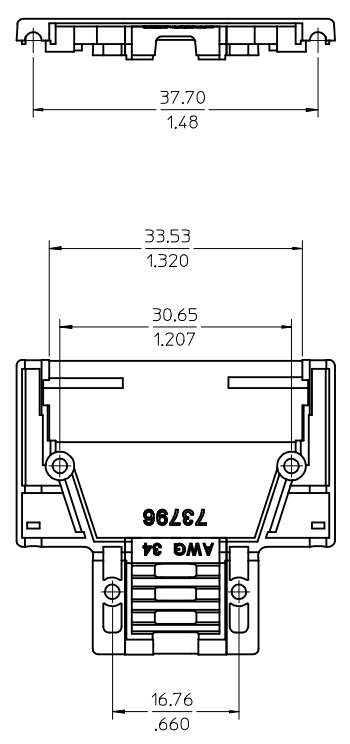


MATERIAL NUMBER	FINISH	WIRE AWG	LOGO
73796-2018	NICKEL (SEE NOTE 4)	28 AWG	MOLEX
73796-2015	BLACK (SEE NOTE 2)	28 AWG	MOLEX
73796-2012	BLACK (SEE NOTE 2)	30 AWG	HP
73796-2009	BLACK (SEE NOTE 2)	30 AWG	NO LOGO
73796-2006	NICKEL (SEE NOTE 4)	30 AWG	MOLEX
73796-2003	BLACK (SEE NOTE 2)	30 AWG	MOLEX
73796-2027	BLACK (SEE NOTE 2)	34 AWG	MOLEX
73796-2030	NICKEL (SEE NOTE 4)	34 AWG	MOLEX

REVISED EC NO: UCP2004-1796 DRWN: RL WHITE 2004/08/10 CHKD: BBARKER 2004/08/10 APPR: SMILLER 2004/08/18	DESCRIPTION REV	QUALITY SYMBOLS	GENERAL TOLERANCES (UNLESS SPECIFIED)	SCALE 2:1	DESIGN UNITS METRIC	THIRD ANGLE PROJECTION	REVISE ON CAD ONLY
		▼ - 0 ∇ - 0	mm INCH 4 PLACES ± --- ± --- 3 PLACES ± --- ± .005 2 PLACES ± 0.13 ± .010 1 PLACE ± 0.25 ± --- ANGULAR ± 1/2°	DIMENSION STYLE MM/IN		TITLE	
		DRAFT WHERE APPLICABLE	DRAWN BY DATE KSTILES 10/11/2002 CHECKED BY DATE KSTILES 10/14/2002 APPROVED BY DATE MBANAKIS 10/18/2002	MOLEX INCORPORATED SEE CHART SD-73796-003		SHEET NO. 1 OF 1	
		MUST REMAIN WITHIN DIMENSIONS	THIS DRAWING CONTAINS INFORMATION THAT IS PROPRIETARY TO MOLEX INCORPORATED AND SHOULD NOT BE USED WITHOUT WRITTEN PERMISSION				

- NOTES:  
 1. MATERIAL: ZINC  
 2. FINISH: NON-CONDUCTIVE BLACK FINISH  
 OUTSIDE SURFACES ONLY  
 3. THIS PART MATES WITH 71425-3001 AND 73796-2\*\*\*  
 4. DULL NICKEL OVER COPPER FLASH.

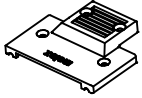
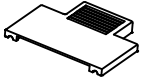
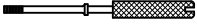


NOTE FOR LEAD FREE CONVERSION:  
 THE PRIMARY SHIPPING CARTON WILL BE LABELED "COMPLIANT TO RoHS  
 DIRECTIVE 2002/95/EC AND ELV ANNEX II OF DIRECTIVE 2000/53/EC".  
 CARTONS WITHOUT THIS LABEL MAY CONTAIN PRODUCT WITH LEAD.



MATERIAL NUMBER	FINISH	WIRE AWG
73796-2014	NICKEL (SEE NOTE 4)	28 AWG
73796-2010	BLACK (SEE NOTE 2)	28 AWG
73796-2008	NICKEL (SEE NOTE 4)	30 AWG
73796-2004	BLACK (SEE NOTE 2)	30 AWG
73796-2020	BLACK (SEE NOTE 2)	34 AWG
73796-2022	NICKEL (SEE NOTE 4)	34 AWG

ROHS COMPLIANT EC NO: UCP2006-1389 DRWN:MSBARRA 2006/01/18 CHKD:BSMART 2006/01/24 APPR:SMILLER 2006/01/26	QUALITY SYMBOLS	GENERAL TOLERANCES (UNLESS SPECIFIED)		SCALE 2:1	DESIGN UNITS METRIC	THIRD ANGLE PROJECTION	REVISE ON CAD ONLY	
	▼ - 0 ∇ - 0	mm	INCH	DIMENSION STYLE		TITLE		
		4 PLACES ± ---	± ---	MM/IN		VHDCI LOWER DIE CAST SHELL		
		3 PLACES ± ---	± .005	DRAWN BY KSTILES	DATE 10/11/2002	MOLEX INCORPORATED SEE CHART SD-73796-005		
2 PLACES ± 0.13	± .010	CHECKED BY KSTILES	DATE 10/14/2002	MATERIAL NO. SHEET NO.	DOCUMENT NO. 1 OF 1			
1 PLACE ± 0.25	± ---	ANGULAR ± 1/2°		APPROVED BY MBANAKIS DATE 10/18/2002 THIS DRAWING CONTAINS INFORMATION THAT IS PROPRIETARY TO MOLEX INCORPORATED AND SHOULD NOT BE USED WITHOUT WRITTEN PERMISSION				
REV	DRAFT WHERE APPLICABLE MUST REMAIN WITHIN DIMENSIONS							

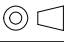

# 30 AWG - VHDCI PLUG BACKSHELL KITS

MATERIAL NUMBER	MATERIAL NUMBER	MATERIAL NUMBER	MATERIAL NUMBER		
73796-3004 BLACK FINISH KIT	73796-3003 BLACK FINISH KIT	73796-3002 NICKEL PLATE KIT	73796-3001 BLACK FINISH KIT		
				QUANTITY	DESCRIPTION
73796-2012 - BLACK FINISH - HP LOGO	73796-2009 - BLACK FINISH - NO LOGO	73796-2006 - NICKEL PLATE - MOLEX LOGO	73796-2003 - BLACK FINISH - MOLEX LOGO	1	UPPER SHELL 
73796-2004 - BLACK FINISH	73796-2004 - BLACK FINISH	73796-2008 - NICKEL PLATE	73796-2004 - BLACK FINISH	1	LOWER SHELL 
70629-0001	70629-0001	70629-0001	70629-0001	2	JACKSCREW 
79099-1001	79099-1001	79099-1003	79099-1001	2	LONG SCREW 
79099-1002	79099-1002	79099-1004	79099-1002	2	SHORT SCREW 

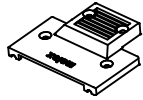
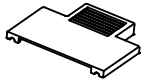

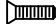

SEE SHEET 2 FOR 28 AWG KITS

**NOTES:**

1. PACKAGED PER DRAWING PK-70873-0869.
2. FOR USE WITH PLUG ASSEMBLY KIT #71425-3001.
3. SEE TERMINATION PROCEDURE DRAWING SD-73796-009.
4. FOR ADDITIONAL INFORMATION, SEE DRAWINGS FOR INDIVIDUAL COMPONENTS.

REVISE JACKSCREW FIGURE EC NO: UCP2011-0924 DRWN: BARKER 2011/08/11 CHKD: MORGAN APPR: MILLER 2011/08/19	QUALITY SYMBOLS		GENERAL TOLERANCES (UNLESS SPECIFIED)	DIMENSION STYLE <b>MM ONLY</b>	SCALE	DESIGN UNITS <b>METRIC</b>	 THIRD ANGLE PROJECTION						
	▽F=0	▽E=0	▽E=0	<table border="1" style="width: 100%; border-collapse: collapse;"> <tr> <th style="width: 50%;">mm</th> <th style="width: 50%;">INCH</th> </tr> <tr> <td>4 PLACES ± --- ± ---</td> <td>3 PLACES ± --- ± ---</td> </tr> <tr> <td>2 PLACES ± --- ± ---</td> <td>1 PLACE ± --- ± ---</td> </tr> </table>	mm	INCH	4 PLACES ± --- ± ---	3 PLACES ± --- ± ---	2 PLACES ± --- ± ---	1 PLACE ± --- ± ---	DRAWN BY SAMPSON	DATE 2000/06/12	TITLE <b>VHDCI DIECAST SHELL KIT</b>   <b>MOLEX INCORPORATED</b>  DOCUMENT NO. <b>SD-73796-008</b>
	mm	INCH											
	4 PLACES ± --- ± ---	3 PLACES ± --- ± ---											
2 PLACES ± --- ± ---	1 PLACE ± --- ± ---												
			ANGULAR ±1/2°	CHECKED BY MBANAKIS	DATE 2000/06/12								
			DRAFT WHERE APPLICABLE MUST REMAIN WITHIN DIMENSIONS	APPROVED BY MBANAKIS	DATE 2000/06/12								
			MATERIAL NO.	SEE TABLE	DATE								
				SIZE <b>B</b>	THIS DRAWING CONTAINS INFORMATION THAT IS PROPRIETARY TO MOLEX INCORPORATED AND SHOULD NOT BE USED WITHOUT WRITTEN PERMISSION		SHEET NO. 1 OF 2						

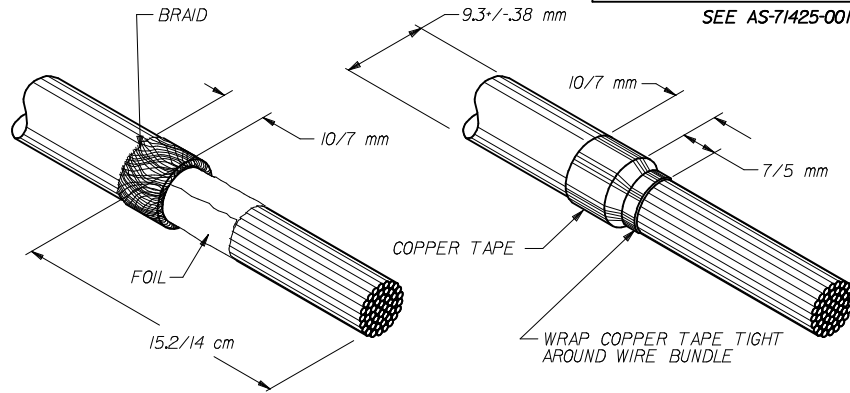
## 28 AWG - VHDCI PLUG BACKSHELL KITS

MATERIAL NUMBER	MATERIAL NUMBER	MATERIAL NUMBER	MATERIAL NUMBER	QUANTITY	DESCRIPTION
		73796-3006 NICKEL PLATE KIT	73796-3005 BLACK FINISH KIT		
		73796-2018 - NICKEL PLATE - MOLEX LOGO	73796-2015 - BLACK FINISH - MOLEX LOGO	1	UPPER SHELL 
		73796-2014 - NICKEL PLATE	73796-2010 - BLACK FINISH	1	LOWER SHELL 
		70629-0001	70629-0001	2	JACKSCREW 
		79099-1003	79099-1001	2	LONG SCREW 
		79099-1004	79099-1002	2	SHORT SCREW 

SEE SHEET 1 EC NO: UCP2011-0924 DRAWN BY: BARKER 2011/08/11 CHKD: MORGAN APPR: MILLER 2011/08/19	QUALITY SYMBOLS		GENERAL TOLERANCES (UNLESS SPECIFIED)	DIMENSION STYLE	SCALE	DESIGN UNITS	THIRD ANGLE PROJECTION																															
	▽/0	▽/0	▽/0	MM ONLY	METRIC	◎	THIRD ANGLE PROJECTION																															
	▽/0	▽/0	▽/0	<table border="1" style="width: 100%; border-collapse: collapse;"> <tr> <th></th> <th>mm</th> <th>INCH</th> </tr> <tr> <td>4 PLACES</td> <td>± ---</td> <td>± ---</td> </tr> <tr> <td>3 PLACES</td> <td>± ---</td> <td>± ---</td> </tr> <tr> <td>2 PLACES</td> <td>± ---</td> <td>± ---</td> </tr> <tr> <td>1 PLACE</td> <td>± ---</td> <td>± ---</td> </tr> <tr> <td colspan="3" style="text-align: center;">ANGULAR ±1/2°</td> </tr> </table>		mm	INCH	4 PLACES	± ---	± ---	3 PLACES	± ---	± ---	2 PLACES	± ---	± ---	1 PLACE	± ---	± ---	ANGULAR ±1/2°			<table border="1" style="width: 100%; border-collapse: collapse;"> <tr> <th>DRAWN BY</th> <th>DATE</th> </tr> <tr> <td>SAMPSON</td> <td>2000/06/12</td> </tr> <tr> <th>CHECKED BY</th> <th>DATE</th> </tr> <tr> <td>MBANAKIS</td> <td>2000/06/12</td> </tr> <tr> <th>APPROVED BY</th> <th>DATE</th> </tr> <tr> <td>MBANAKIS</td> <td>2000/06/12</td> </tr> </table>	DRAWN BY	DATE	SAMPSON	2000/06/12	CHECKED BY	DATE	MBANAKIS	2000/06/12	APPROVED BY	DATE	MBANAKIS	2000/06/12	TITLE	VHDCI DIECAST SHELL KIT	
		mm	INCH																																			
4 PLACES	± ---	± ---																																				
3 PLACES	± ---	± ---																																				
2 PLACES	± ---	± ---																																				
1 PLACE	± ---	± ---																																				
ANGULAR ±1/2°																																						
DRAWN BY	DATE																																					
SAMPSON	2000/06/12																																					
CHECKED BY	DATE																																					
MBANAKIS	2000/06/12																																					
APPROVED BY	DATE																																					
MBANAKIS	2000/06/12																																					
DRAFT WHERE APPLICABLE MUST REMAIN WITHIN DIMENSIONS	SEE TABLE	MATERIAL NO.	DOCUMENT NO.	MOLEX INCORPORATED		SD-73796-008	SHEET NO. 2 OF 2																															
		SIZE B	THIS DRAWING CONTAINS INFORMATION THAT IS PROPRIETARY TO MOLEX INCORPORATED AND SHOULD NOT BE USED WITHOUT WRITTEN PERMISSION																																			

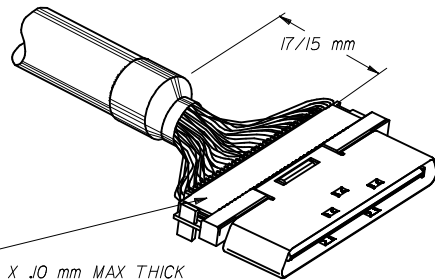
# CABLE PREP AND TERMINATION INSTRUCTIONS

SEE AS-71425-001 FOR ADDITIONAL TERMINATION INFORMATION



	OPERATION	APPLICATION
STEP 1	CABLE PREP	FOR USE WITH RAPTOR TERMINATOR 623001100

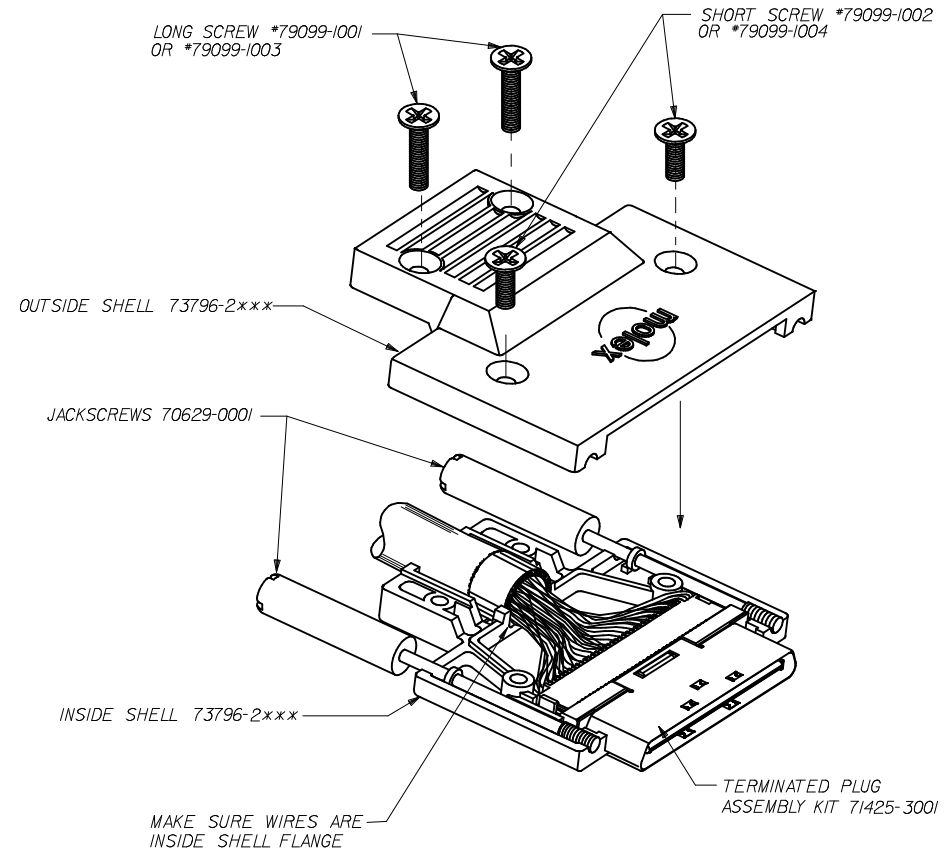
- 1 a) STRIP OUTER JACKET, EXPOSING 15.2 TO 14 cm OF WIRE.
- 1 b) FOLD BRAID BACK OVER CABLE JACKET AND TRIM.
- 1 c) TRIM FOIL BACK TO JACKET.
- 1 d) WRAP COPPER TAPE AROUND BRAID.
- 1 e) BLOW OFF PREPARED END WITH AIR.



MYLAR OR TEFLON TAPE  
4.7 mm WIDE X 28.6 mm LONG X .10 mm MAX THICK  
PLACE OVER TERMINATED WIRE COVERS (BOTH SIDES)

	OPERATION
STEP 2	TERMINATE CONNECTOR

- 2 a) TERMINATE CONNECTOR TO CABLE USING THE APPROPRIATE COLOR CODE/WIRE SCHEME SO THAT THE CONNECTOR IS 17/15 mm FROM THE CABLE JACKET END.
- 2 b) ENSURE THE CABLE JACKET IS CENTERED BEHIND THE CONNECTOR TO ALLOW PROPER FIT INTO BACKSHELL.
- 2 c) COVER TERMINATED WIRE COVERS WITH TEFLON OR MYLAR TAPE.

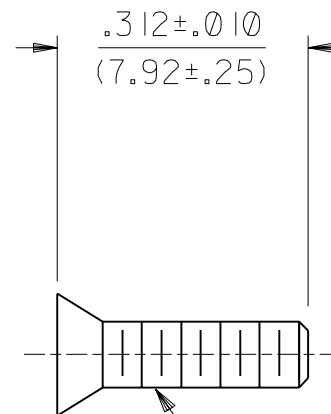
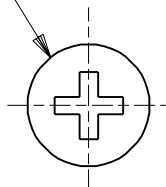


	OPERATION	APPLICATION
STEP 3	FINAL ASSEMBLY	FOR USE WITH BACKSHELL KIT 73796-3***

- 3 a) PLACE CABLE ASSEMBLY INTO INSIDE SHELL. ENSURE BRAID/TAPE IS PROPERLY SEATED INTO STRAIN RELIEF AREA.
- 3 b) ASSEMBLE OUTER SHELL TO INSIDE SHELL AND SCREW TOGETHER. RECOMMENDED ASSEMBLY PROCEDURE: CLAMP SHELLS TOGETHER AND INSTALL SHORT SCREWS FIRST. 8 In/lb MAX TORQUE ALLOWED.

CHG TO MTL JKSCREW EC NO: UCP2011-0924 DRW:BBARKER 2011/04/08 CHKD:DMORGAN APPR:SMILLER 2011/08/19	DESCRIPTION REV 1	QUALITY SYMBOLS	GENERAL TOLERANCES (UNLESS SPECIFIED)	DIMENSION STYLE MM ONLY	SCALE	DESIGN UNITS METRIC	THIRD ANGLE PROJECTION	
		▽=0	mm INCH	DRAWN BY DATE SAMPSON 6/12/2000	TITLE VHDCI TERMINATION SPECIFICATION	MOLEX INCORPORATED	SD-73796-009	SHEET NO. 1 OF 1
		▽=0	4 PLACES ± --- ± ---	CHECKED BY DATE MBANAKIS 6/12/2000	THIS DRAWING CONTAINS INFORMATION THAT IS PROPRIETARY TO MOLEX INCORPORATED AND SHOULD NOT BE USED WITHOUT WRITTEN PERMISSION			
		▽=0	3 PLACES ± --- ± .005	APPROVED BY DATE MBANAKIS 6/12/2000				
			2 PLACES ± 0.13 ± .010	MATERIAL NO.				
			1 PLACE ± 0.25 ± ---	SIZE N/A				
			ANGULAR ± 1/2°					
			DRAFT WHERE APPLICABLE MUST REMAIN WITHIN DIMENSIONS					

STANDARD PHILLIPS HEAD



#2-56 SCREW THREAD

NOTES:

- 1. MATERIAL: STAINLESS STEEL
- 2. FINISH: NICKEL PLATE.
- 3. USED ON 73796 SHELLS.
- 4. PACK IN QUANTITIES OF 741 PCS.

DIMENSIONS SHOWN (METRIC) INCH

UNLESS OTHERWISE SPECIFIED TOLERANCES: ANGULAR ± 1/2°

	INCH	METRIC
3 PLACE	± .010	-----
2 PLACE	± .025	± (0.25)
1 PLACE	-----	± (0.64)

DRAFT WHERE APPLICABLE MUST REMAIN WITHIN DIMENSIONS

DRWG. BY SAS CHK'D. BY SAS  
 APP'D. BY MB SCALE 4 : 1

REVISE ONLY ON CAD SYSTEM

TITLE  
VHDCI LONG SHELL SCREW  
-NICKEL PLATE

MOLEX INCORPORATED SHEET NO. DATE  
 LISLE, ILL. 60532 U.S.A. 1 of 1 00/04/18

PART NO. DRWG. NO.  
 79099-1003 SD-79099-1003

FILE NAME THIS DRAWING CONTAINS INFORMATION THAT IS PROPRIETARY TO MOLEX INC. AND SHOULD NOT BE USED WITHOUT WRITTEN PERMISSION. DIV. SIZE  
 79099X2 DGN TC A

LTR. REVISIONS

LTR. REVISIONS

6

5

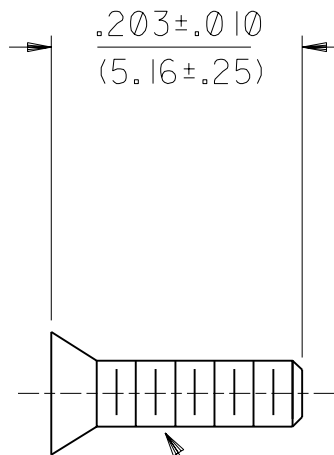
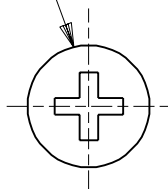
4

3

2

79099

STANDARD PHILLIPS HEAD



#2-56 SCREW THREAD

NOTES:

- 1. MATERIAL: STAINLESS STEEL
- 2. FINISH: NICKEL PLATE
- 3. USED ON 73796 SHELLS.
- 4. SHIP IN QUANTITIES OF 741 PCS.

DIMENSIONS SHOWN (METRIC) INCH

UNLESS OTHERWISE SPECIFIED TOLERANCES: ANGULAR ± 1/2°

	INCH	METRIC
3 PLACE	± .010	-----
2 PLACE	± .025	± (0.25)
1 PLACE	-----	± (0.64)

DRAFT WHERE APPLICABLE MUST REMAIN WITHIN DIMENSIONS

DRWG. BY SAS CHK'D. BY SAS  
 APP'D. BY MB SCALE 4 : 1

REVISE ONLY ON CAD SYSTEM

TITLE  
 VHDCI SHORT SHELL SCREW  
 -NICKEL PLATE

MOLEX INCORPORATED SHEET NO. DATE  
 LISLE, ILL. 60532 U.S.A. 1 of 1 00/04/18

PART NO. DRWG. NO.  
 79099-1004 SD-79099-1004

FILE NAME THIS DRAWING CONTAINS INFORMATION THAT IS PROPRIETARY TO MOLEX INC. AND SHOULD NOT BE USED WITHOUT WRITTEN PERMISSION. DIV. D SIZE A

A INITIAL RELEASE PER  
 ECR UDT2000-0966  
 00/04/18 sas

LTR. REVISIONS

LTR. REVISIONS

6

5

4

3

2

1