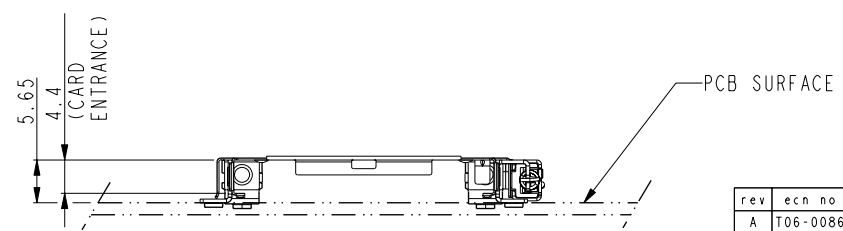
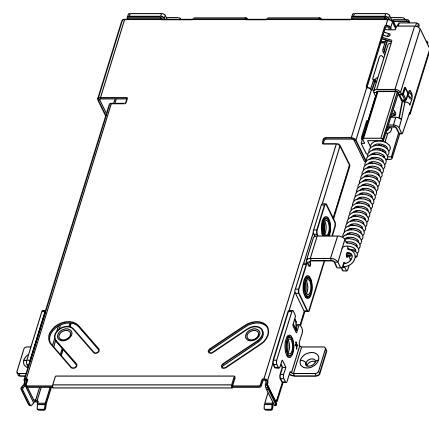
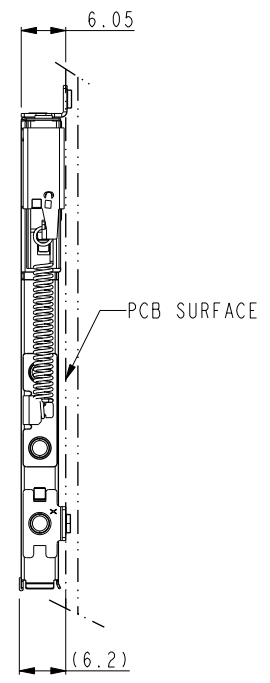
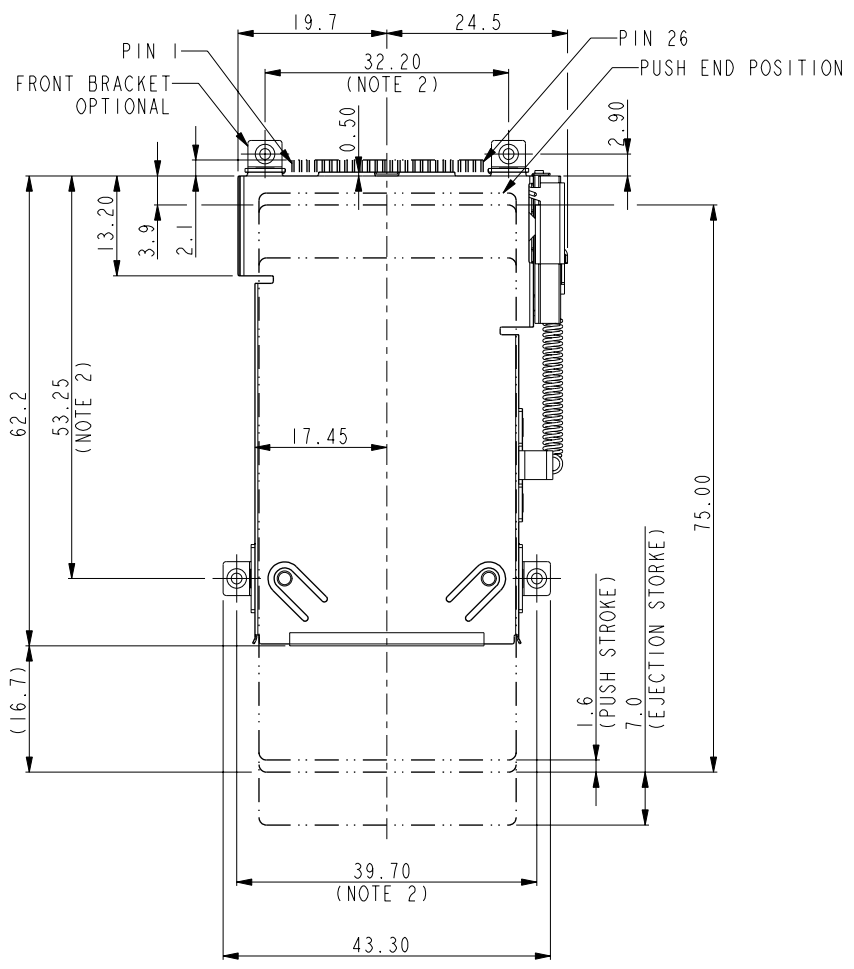




Copyright FCI.

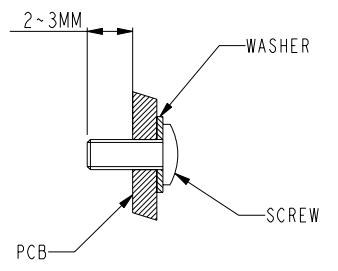
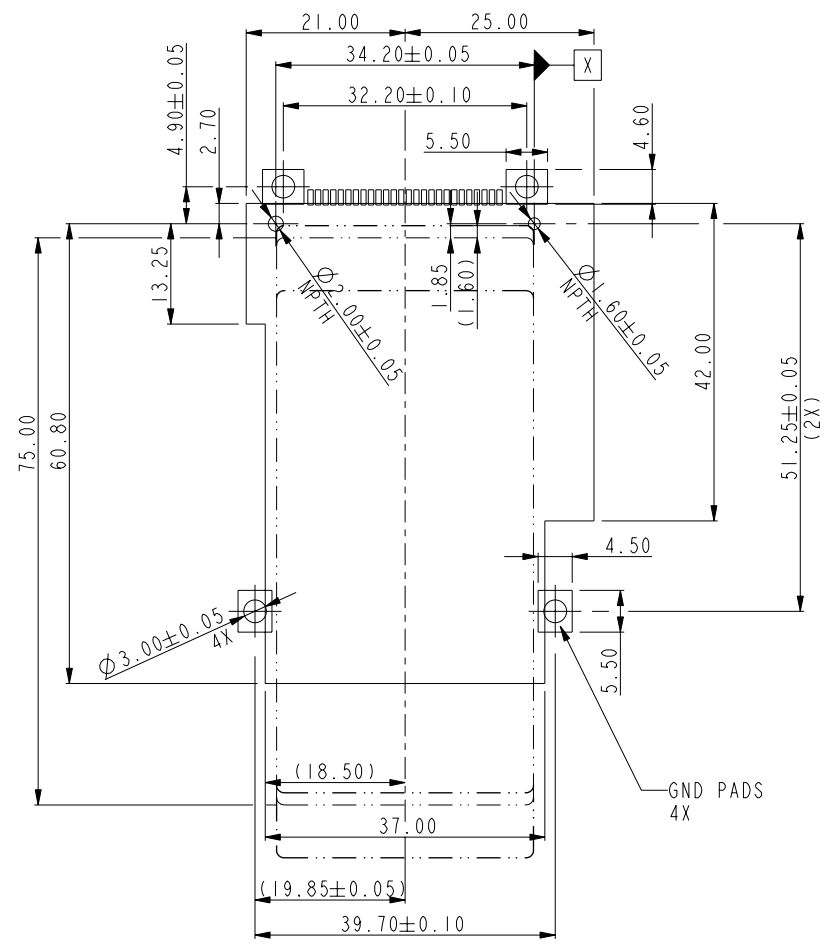


rev	ecn no	dr	date
A	T06-0086	TAI	2006-04-28
B	N07-0284	R.B	2007/12/05
C	N09-0236	R.B	05/21/2009
-	-	-	-
-	-	-	-
-	-	-	-
-	-	-	-

www.fciconnect.com		surface	tolerance std	projection	MM
		✓	ASME Y14.5	⊕	↔
		TOLERANCES UNLESS OTHERWISE SPECIFIED		size	Scale
Dr	KENNY TAI	2006-01-17	ANGULAR	A4	1.000
Eng	KENNY TAI	2006-01-17	LINEAR	ECN	
Chr	KENNY TAI	2006-01-17	0° ±°		
Appr	PAUL WANG	2006-01-17	Product family	Spec ref	*
FCI		title		dwg no	Rev.
		TOP MOUNT, CARD PUSH		10065483	C
		EXPRESSCARD HOST MECH.		CUSTOMER	sheet 1 of 3
		catalog no	10065483		

REV F - 2006-04-17

PART NO.	MOUNTING	STAND-OFF	FRONT BRACKET OPTION	HOST CONN P/N	PRODUCT SPEC.	PACKING SPEC.	CONN. UNMATING FORCE	SPRING MATERIAL
10065483-00ALF	ABOVE	0MM	YES	10058937-X00AXXXLF	GS-12-301	GS-14-295	18.5N MAX.	SWP-B
10065483-00ASLF	ABOVE	0MM	YES	10058937-X00AXXXLF	GS-12-301	GS-14-295	18.5N MAX.	SUS304
10065483-00ANLF	ABOVE	0MM	NO	10058937-X00AXXXLF	GS-12-301	GS-14-295	18.5N MAX.	SWP-B



DETAIL 2
RECOMMENDED SCREW LENGTH

- NOTE:
- M2*0.4P SCREWS WITH WASHER ARE REQUIRED.
 - SHOW DIMENSION AFTER FASTENED TO PCB.
 - SEE HOST CONNECTOR DRAWINGS FOR PCB LAYOUT DETAIL.
 - RECOMMENDED TIGHTING TORQUE 1.6~1.8 KGF-CM.
 - SEE DETAIL 2 FOR RECOMMENDED SCREW LENGTH.

NO MOUNTING PART AREA

RECOMMENDED PCB LAYOUT FOR 10065483-00ALF/-00ASLF COMPONENT SIDE

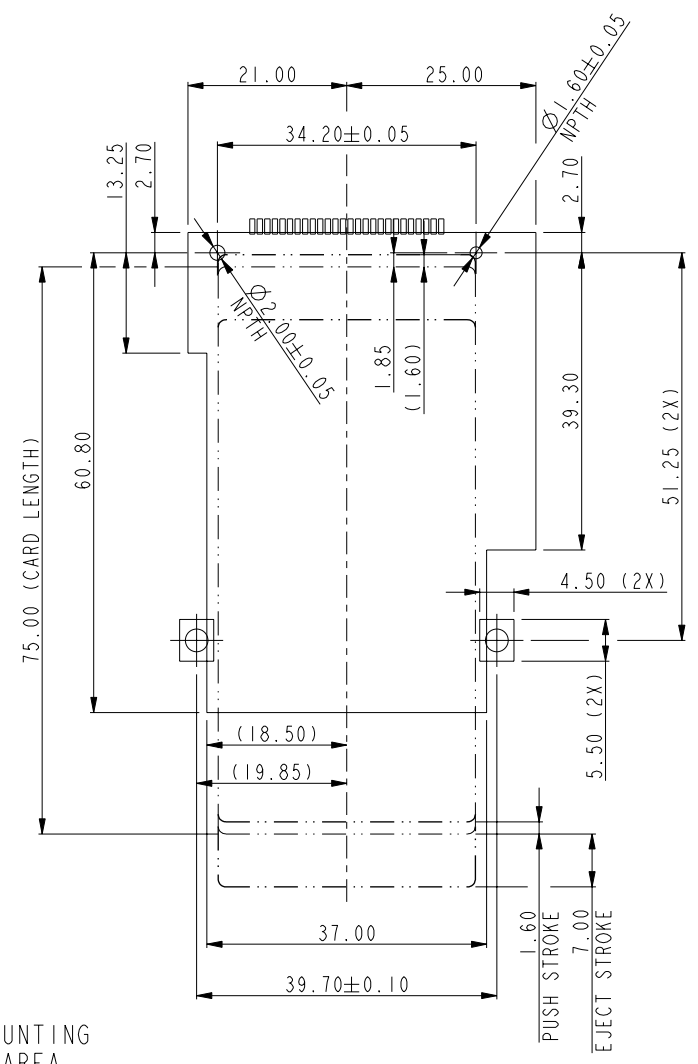
www.fciconnect.com				surface	tolerance std	projection	MM	
				✓	ASME Y14.5		←→	
				TOLERANCES UNLESS OTHERWISE SPECIFIED				
Dr	KENNY TAI	2006-01-17	ANGULAR	LINEAR	0.X	±0.5	size A4	Scale 1.000
Eng	KENNY TAI	2006-01-17			0.XX	±0.3		
Chr	KENNY TAI	2006-01-17			0° ±°	0.XXX		
Appr	PAUL WANG	2006-01-17	Product family				Spec ref	*
		title TOP MOUNT, CARD PUSH EXPRESSCARD HOST MECH.			dwg no 10065483		Rev. C	
catalog no 10065483				CUSTOMER		sheet 2 of 3		



Copyright FCI.

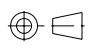


A
B
C
D

1 2 3 4



 NO MOUNTING PART AREA

RECOMMENDED PCB LAYOUT FOR 10065483-00ANLF
COMPONENT SIDE

www.fciconnect.com			surface <input checked="" type="checkbox"/>	tolerance std ASME Y14.5	projection 	MM		
			TOLERANCES UNLESS OTHERWISE SPECIFIED					
Dr	KENNY TAI	2006-01-17	ANGULAR	LINEAR	0.X	±0.5	size A4	Scale 1.000
Eng	KENNY TAI	2006-01-17			0.XX	±0.3		
Chr	KENNY TAI	2006-01-17			0°	±°		
Appr	PAUL WANG	2006-01-17	Product family			ECN T06-0086	Spec ref *	
			title TOP MOUNT, CARD PUSH EXPRESSCARD HOST MECH.			dwg no 10065483	Rev. C	
			catalog no 10065483		CUSTOMER	sheet 3 of 3		

REV F - 2006-04-17