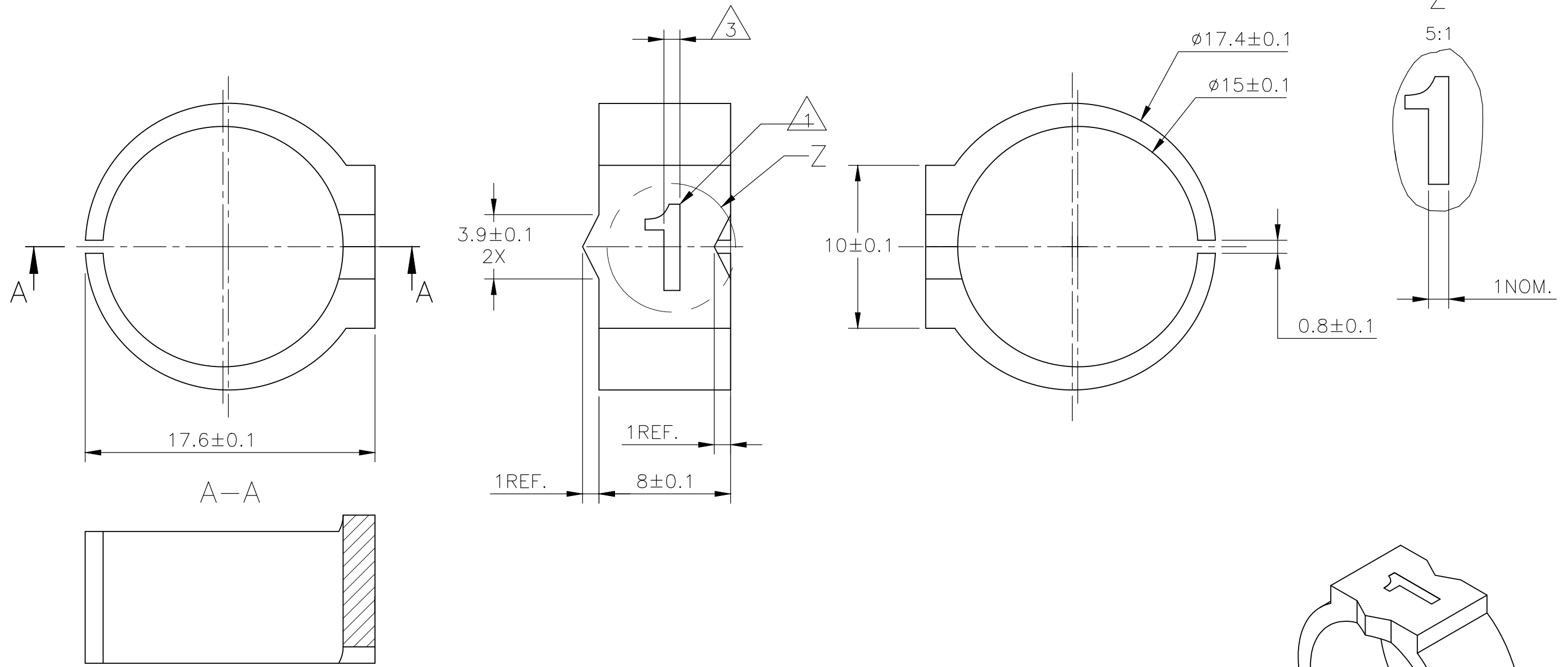

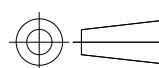


P	LTR	DESCRIPTION	DATE	DWN	APVD
	3	REVISED PER ECR-20-010947	04AUG2020	GK	AK

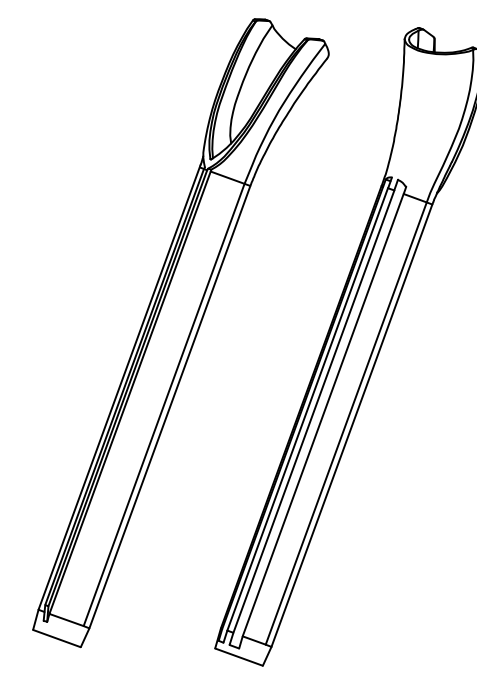
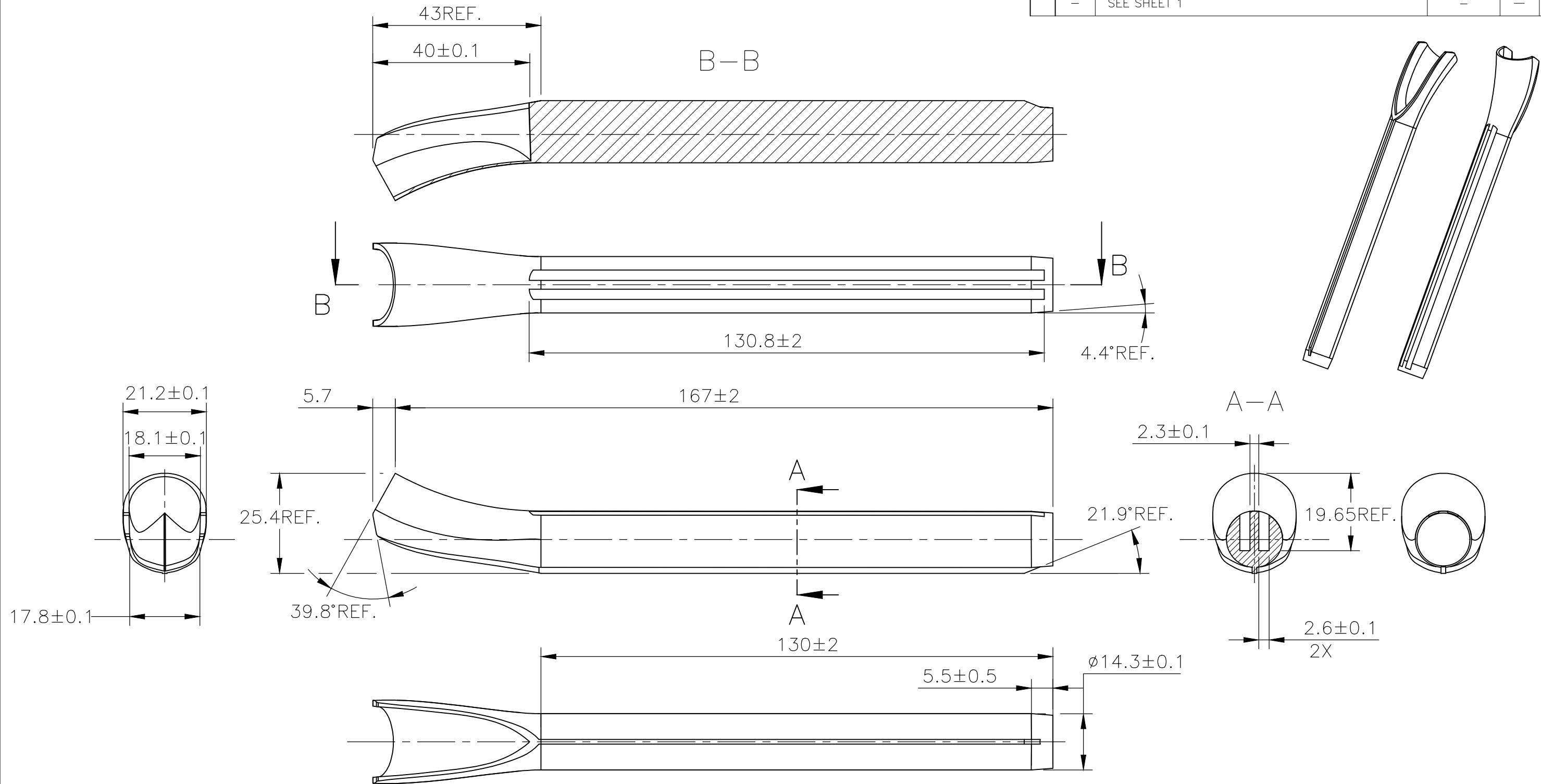



NOTES:

- 1 FOR PART NUMBERS SEE SHEET 3 OF 3.
- 2 MARK SHOULD BE CENTRALLY POSITIONED  $\pm 0.1$ mm.
- 3 WIDTH OF MARK DEPENDS ON CHARACTER PRINTED

THIS DRAWING IS A CONTROLLED DOCUMENT.		DWN 25MAR2013 RAGHAVENDRA K		 TE Connectivity	
		CHK 25MAR2013 KEAN ALAN			
DIMENSIONS: mm		TOLERANCES UNLESS OTHERWISE SPECIFIED:		APVD 25MAR2013 MARIO APPELLO	
		0 PLC $\pm -$		NAME SNAP-ON MARKER STB/STD SIZE 24 WITH APPLICATOR	
		1 PLC $\pm -$		PRODUCT SPEC	
		2 PLC $\pm -$		APPLICATION SPEC	
		3 PLC $\pm -$		SIZE CAGE CODE DRAWING NO RESTRICTED TO	
		4 PLC $\pm -$		A3 C2290 C-8-1768047-0	
		ANGLES $\pm -$		SCALE NTS SHEET 1 OF 3 REV 3	
MATERIAL		FINISH		WEIGHT	
-		-		-	
CUSTOMER DRAWING					

P	LTR	DESCRIPTION	DATE	DWN	APVD
-	-	SEE SHEET 1	-	-	-



THIS DRAWING IS A CONTROLLED DOCUMENT.		DWN RAGHAVENDRA K 25MAR2013	 TE Connectivity				
DIMENSIONS: mm		CHK KEAN ALAN 25MAR2013					
TOLERANCES UNLESS OTHERWISE SPECIFIED:		APVD MARIO APPELLO 25MAR2013	NAME SNAP-ON MARKER STB/STD SIZE 24 WITH APPLICATOR				
<ul style="list-style-type: none"> <li>0 PLC ± -</li> <li>1 PLC ± -</li> <li>2 PLC ± -</li> <li>3 PLC ± -</li> <li>4 PLC ± -</li> <li>ANGLES ± -</li> </ul>		PRODUCT SPEC -	-				
MATERIAL -		FINISH -	APPLICATION SPEC -	SIZE A3	CAGE CODE C2290	DRAWING NO C-8-1768047-0	RESTRICTED TO -
CUSTOMER DRAWING			WEIGHT -	SCALE NTS	SHEET 2 OF 3	REV 3	

REVISIONS


P	LTR	DESCRIPTION	DATE	DWN	APVD
	-	SEE SHEET 1	-	-	-

DESCRIPTION	PART NO.
STB24-BLANK-2	6-1768040-8
STB24-BLANK-5	7-1768040-0
STB24-BLANK-6	7-1768040-1
STD24-APPLICATOR	8-1768047-0
STD24W-0	8-1768047-1
STD24W-1	866522-000
STD24W-2	640576-000
STD24W-3	417638-000
STD24W-4	542894-000
STD24W-5	978190-000
STD24W-6	905034-000
STD24W-7	273650-000
STD24W-8	187136-000
STD24W-9	394338-000
STD24W-A	197264-000
STD24W-B	314578-000
STD24W-BLANK	8-1768047-4
STD24W-C	946230-000
STD24W-D	339676-000
STD24W-DOT	8-1768047-8
STD24W-E	398232-000
STD24W-EARTH	8-1768047-9
STD24W-F	549392-000
STD24W-G	928554-000
STD24W-H	917568-000
STD24W-I	901502-000
STD24W-J	687814-000
STD24W-K	732956-000
STD24W-L	759108-000
STD24W-M	301210-000
STD24W-MINUS	9-1768047-6
STD24W-N	817492-000

DESCRIPTION	PART NO.
STD24W-P	968824-000
STD24W-PLUS	9-1768047-9
STD24W-Q	399170-000
STD24W-R	464414-000
STD24W-S	040998-000
STD24W-SLASH	716408-000
STD24W-T	264594-000
STD24W-U	154936-000
STD24W-V	271808-000
STD24W-W	116634-000
STD24W-X	233500-000
STD24W-Y	138132-000
STD24W-Z	840894-000
STD24Y-0	1768048-2
STD24Y-1	340014-000
STD24Y-2	805844-000
STD24Y-3	123558-000
STD24Y-4	081620-000
STD24Y-5	201302-000
STD24Y-6	532738-000
STD24Y-7	579826-000
STD24Y-8	918298-000
STD24Y-9	537750-000
STD24Y-A	031882-000
STD24Y-B	336486-000
STD24Y-BLANK	1768048-5
STD24Y-C	104986-000
STD24Y-D	802932-000
STD24Y-E	1-1768048-0
STD24Y-EARTH	1-1768048-1
STD24Y-F	1-1768048-3

DESCRIPTION	PART NO.
STD24Y-G	1-1768048-5
STD24Y-H	1-1768048-7
STD24Y-I	1-1768048-9
STD24Y-J	2-1768048-0
STD24Y-K	2-1768048-1
STD24Y-L	320608-000
STD24Y-M	2-1768048-4
STD24Y-MINUS	2-1768048-5
STD24Y-N	2-1768048-7
STD24Y-P	2-1768048-9
STD24Y-PLUS	3-1768048-0
STD24Y-Q	3-1768048-1
STD24Y-R	833408-000
STD24Y-S	3-1768048-3
STD24Y-SLASH	3-1768048-4
STD24Y-T	3-1768048-5
STD24Y-U	3-1768048-6
STD24Y-V	3-1768048-7
STD24Y-W	3-1768048-8
STD24Y-X	3-1768048-9
STD24Y-Y	4-1768048-0
STD24Y-Z	4-1768048-1
STB24-BLANK-0	6-1768040-6
STB24-BLANK-1	6-1768040-7
STB24-BLANK-3	6-1768040-9
STB24-BLANK-7	7-1768040-2
STB24-BLANK-8	7-1768040-3
STD24W-AC	8-1768047-2

DESCRIPTION	PART NO.
STD24Y-AC	1768048-3
STD24Y-COLON	1768048-7
STD24Y-DOT	1768048-9

THIS DRAWING IS A CONTROLLED DOCUMENT.		DWN RAGHAVENDRA K 25MAR2013	 TE Connectivity													
		CHK KEAN ALAN 25MAR2013														
		APVD MARIO APPELLO 25MAR2013	NAME SNAP-ON MARKER STB/STD SIZE 24 WITH APPLICATOR													
DIMENSIONS: mm		PRODUCT SPEC	-													
TOLERANCES UNLESS OTHERWISE SPECIFIED:		APPLICATION SPEC	-													
<table border="0"> <tr><td>0 PLC</td><td>± -</td></tr> <tr><td>1 PLC</td><td>± -</td></tr> <tr><td>2 PLC</td><td>± -</td></tr> <tr><td>3 PLC</td><td>± -</td></tr> <tr><td>4 PLC</td><td>± -</td></tr> <tr><td>ANGLES</td><td>± -</td></tr> </table>		0 PLC	± -	1 PLC	± -	2 PLC	± -	3 PLC	± -	4 PLC	± -	ANGLES	± -	WEIGHT	-	
0 PLC	± -															
1 PLC	± -															
2 PLC	± -															
3 PLC	± -															
4 PLC	± -															
ANGLES	± -															
MATERIAL		FINISH	-													
		SIZE	CAGE CODE	DRAWING NO												
		A3	C2290	G-8-1768047-0												
		CUSTOMER DRAWING		RESTRICTED TO												
		SCALE	SHEET	REV												
		NTS	3 OF 3	3												