

THIS DRAWING IS UNPUBLISHED. RELEASED FOR PUBLICATION
 © COPYRIGHT BY TYCO ELECTRONICS CORPORATION. ALL RIGHTS RESERVED.

LOC		DIST		REVISIONS			
P	LTR	DESCRIPTION		DATE	DWN	APVD	
	B	ECR-05-7303		07SEP05	RB	JG	

D

D

C

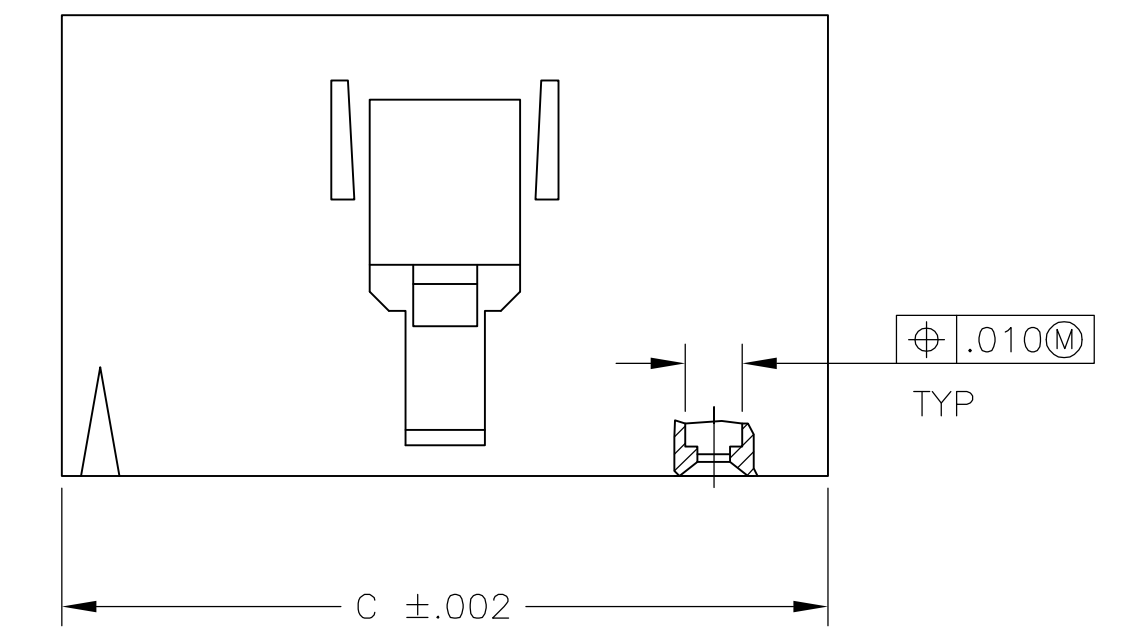
C

B

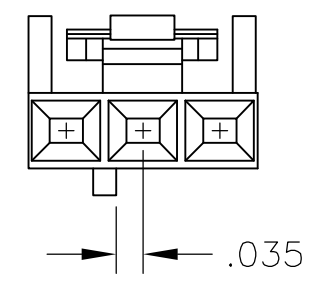
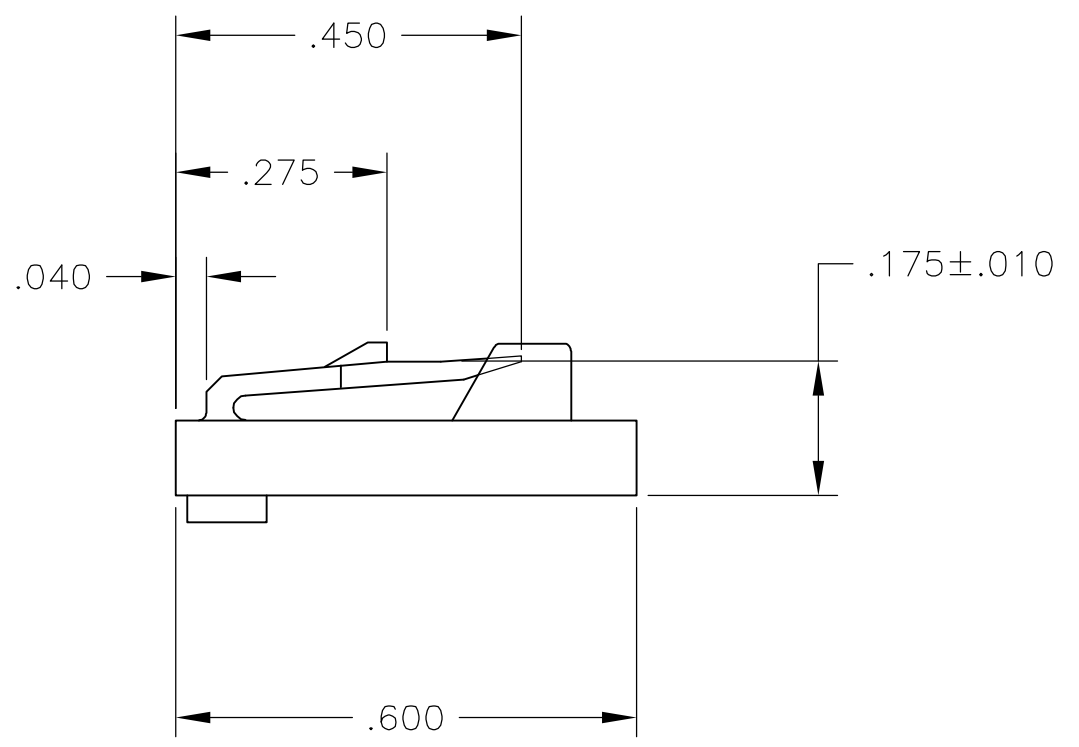
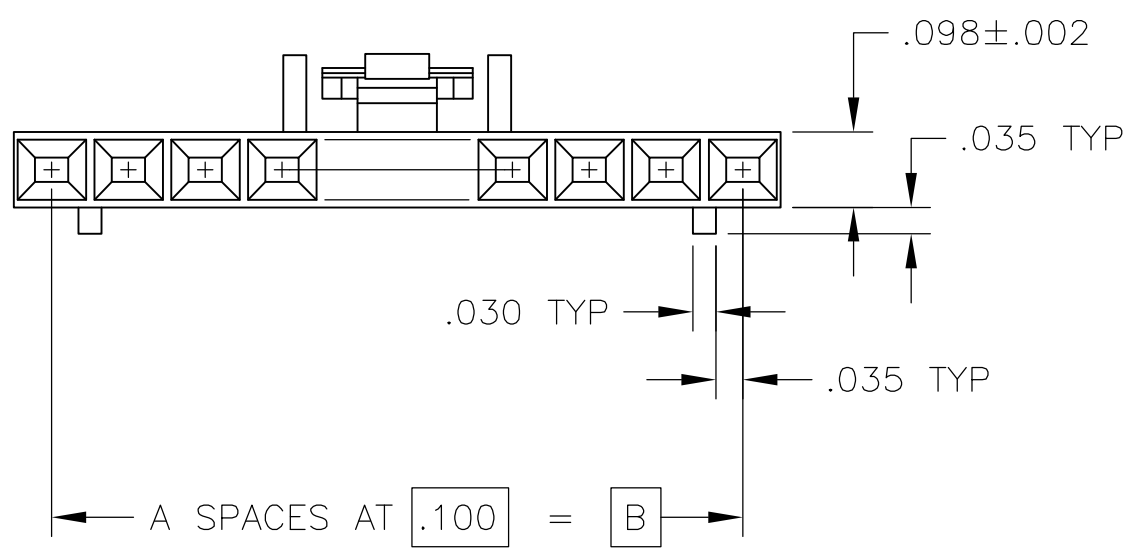
B

A

A



1 MATERIAL: FLAME RETARDANT THERMOPLASTIC. COLOR- BLACK.



DETAIL FOR -1 ONLY
(3 POSITION)

1.998	1.900	19	20	1571182-2
.298	.200	2	3	1571182-1
C	B	A	NUMBER OF POSITIONS	PART NUMBER

DIMENSIONS: INCHES		TOLERANCES UNLESS OTHERWISE SPECIFIED:		APVD		NAME	
0 PLC ± -		1 PLC ± -		J GESFORD 04FEB02		J GESFORD 04FEB02	
2 PLC ± -		3 PLC ± .005		108-25034		RECEPTACLE HOUSING, AMPMODU	
4 PLC ± -		ANGLES ± -		114-25026		MTE, SINGLE ROW, .100CL	
FINISH -		FINISH -		WEIGHT -		POLARIZED WITH LATCH	
MATERIAL				CUSTOMER DRAWING		RESTRICTED TO	
SCALE 4:1				SHEET 1 OF 1		REV B	

1571182