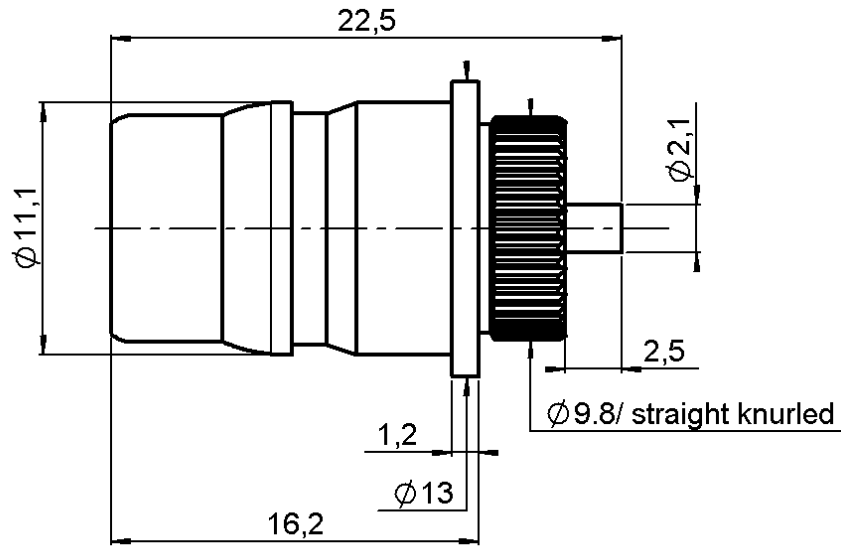


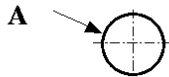
PRESS- IN RECEPTACLE
FRONT MOUNTING

R164.540.027

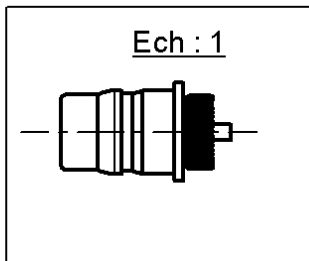
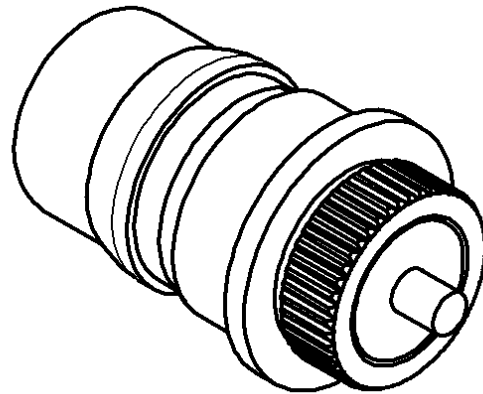
Series : QN



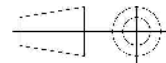
PANEL CUT OUT



| mm | | |
|----|-------|-------|
| | Maxi | mini |
| A | 9.725 | 9.675 |



All dimensions are in mm.



| COMPONENTS | MATERIALS | PLATINGS (μm) |
|----------------|------------------|----------------------------|
| BODY | BRASS | BBR 0.5 OVER SILVER 3 |
| CENTER CONTACT | BERYLLIUM COPPER | GOLD 1.3 OVER COPPER 2.5 |
| OUTER CONTACT | | |
| INSULATOR | PTFE | |
| GASKET | | |
| OTHERS PARTS | | |
| - | - | - |
| - | - | - |

Issue : 0420 A

In the effort to improve our products, we reserve the right to make changes judged to be necessary.



PRESS- IN RECEPTACLE

R164.540.027

FRONT MOUNTING

Series : QN

PACKAGING

SPECIFICATION

| Standard | Unit | Other |
|-----------|-------------------|-------------------|
| 50 | 'W' option | Contact us |

ELECTRICAL CHARACTERISTICS

ENVIRONMENTAL

| | | |
|---------------------------------|---------------|-------------------------------|
| Impedance | | 50 Ω |
| Frequency | | 0-6* GHz |
| VSWR | 1.05 + | 0.025 x F(GHz) Maxi |
| Insertion loss | | 0.048 √F(GHz) dB Maxi |
| RF leakage | - (| **90 - F(GHz)) dB Maxi |
| Voltage rating | | 1000 Veff Maxi |
| Dielectric withstanding voltage | | 2000 Veff mini |
| Insulation resistance | | 5000 MΩ mini |

| | |
|-----------------------|---------------------|
| Operating temperature | -55/+125 ° C |
| Hermetic seal | NA Atm.cm3/s |
| Panel leakage | NA |

OTHERS CHARACTERISTICS

Assembly instruction

Others :

* Usable : 0-11GHz

**RF Leakage : -80dB min 3<F<6GHz

***PIM3 : -112dBm (2 x 20W at 1.8GHz)

MECHANICAL CHARACTERISTICS

| | | |
|----------------------------|--------------|-------------|
| Center contact retention | | |
| Axial force – Mating end | 18 | N mini |
| Axial force – Opposite end | 18 | N mini |
| Torque | 2.8 | N.cm mini |
| Recommended torque | | |
| Mating | NA | N.cm |
| Panel nut | NA | N.cm |
| Mating life | 100 | Cycles mini |
| Weight | 9.700 | g |

Issue : 0420 A

In the effort to improve our products, we reserve the right to make changes judged to be necessary.

