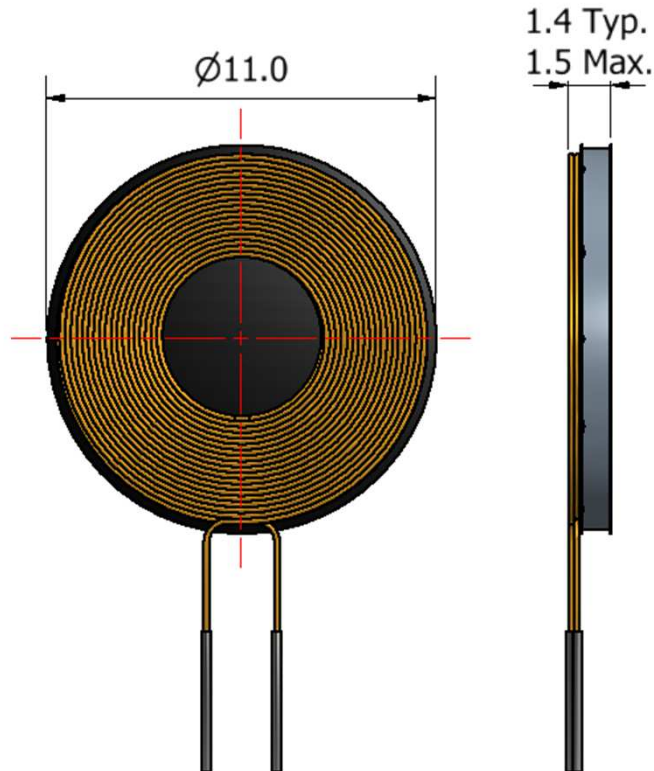


= Dimension of coil unit =



= Coil unit Assembly =

Unit : mm

Stack	TDK Item	Typ.	Max.
1	Coil+Resin	0.200	0.210
	Coil+Resin	0.200	0.210
2	Adhesive Tape	0.135	0.142
3	PET Tape	0.030	0.032
4	Main Sheet (FK5)	0.800	0.880
5	PET Tape	0.030	0.032
Total Thickness		1.40	1.50

= Electrical Characteristics =

- L_s [uH] : 16.6 uH Typ. @100kHz
- R_s [ohm] : 1.0 Ω Typ. @100kHz

