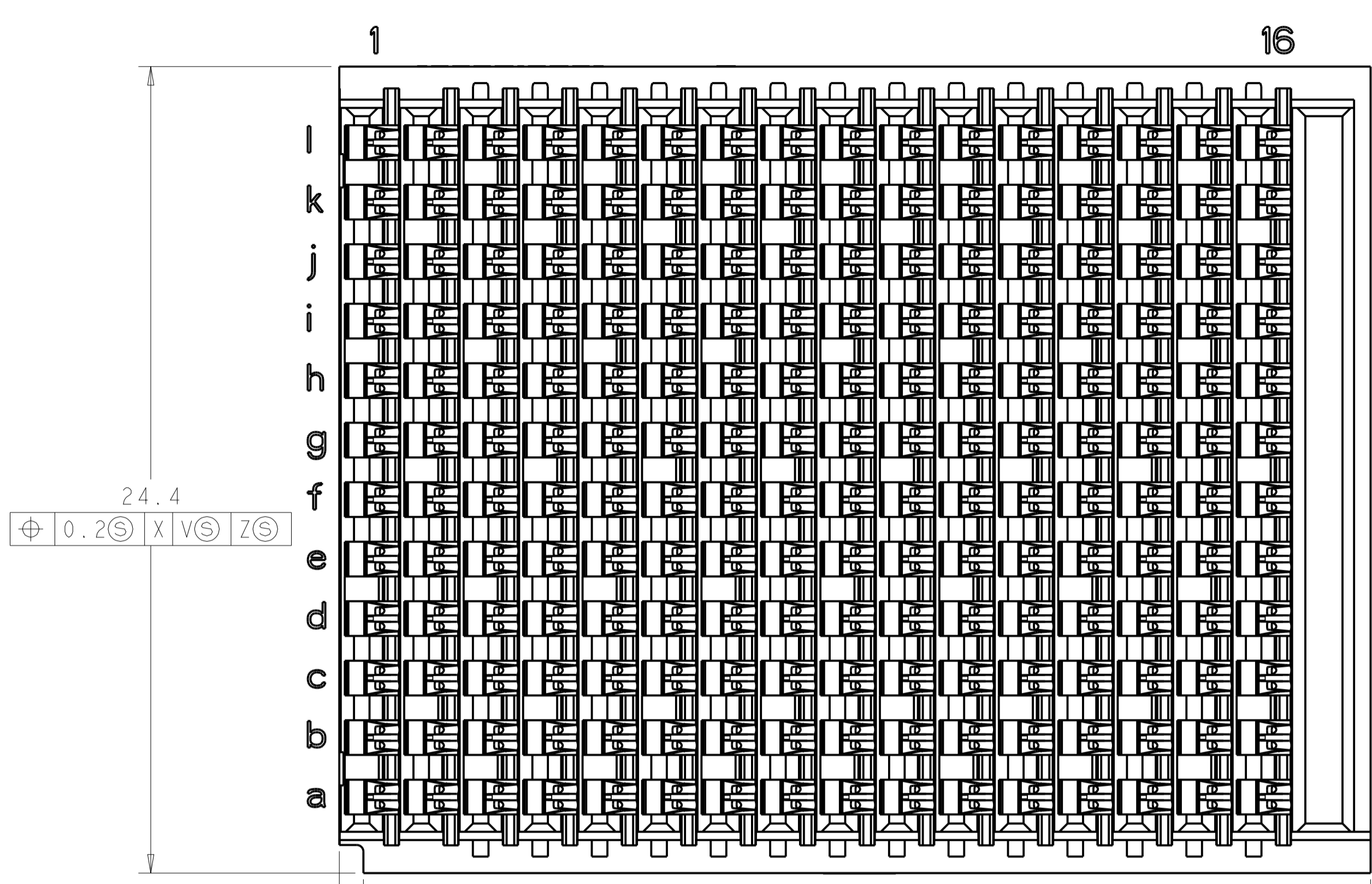
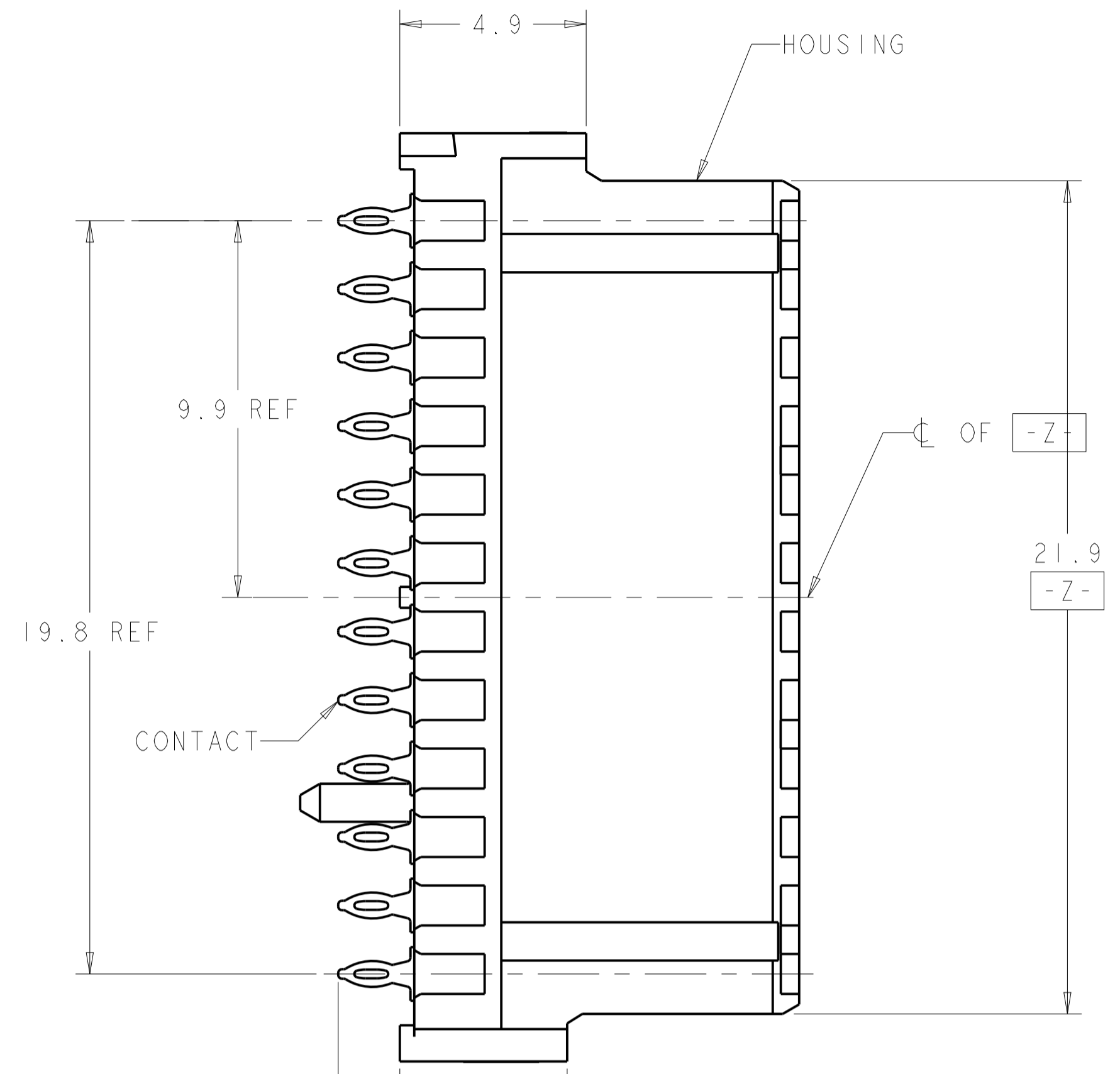
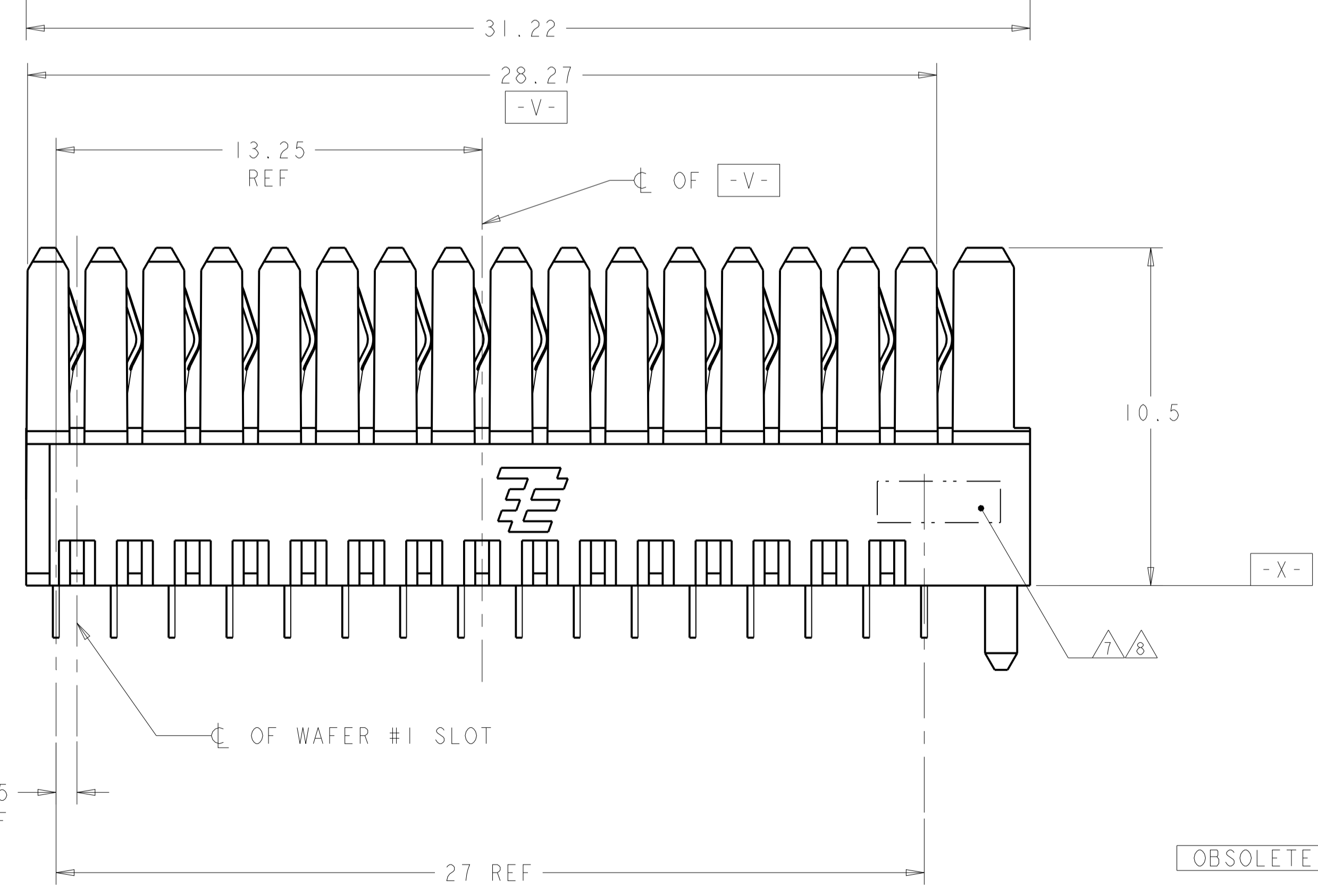
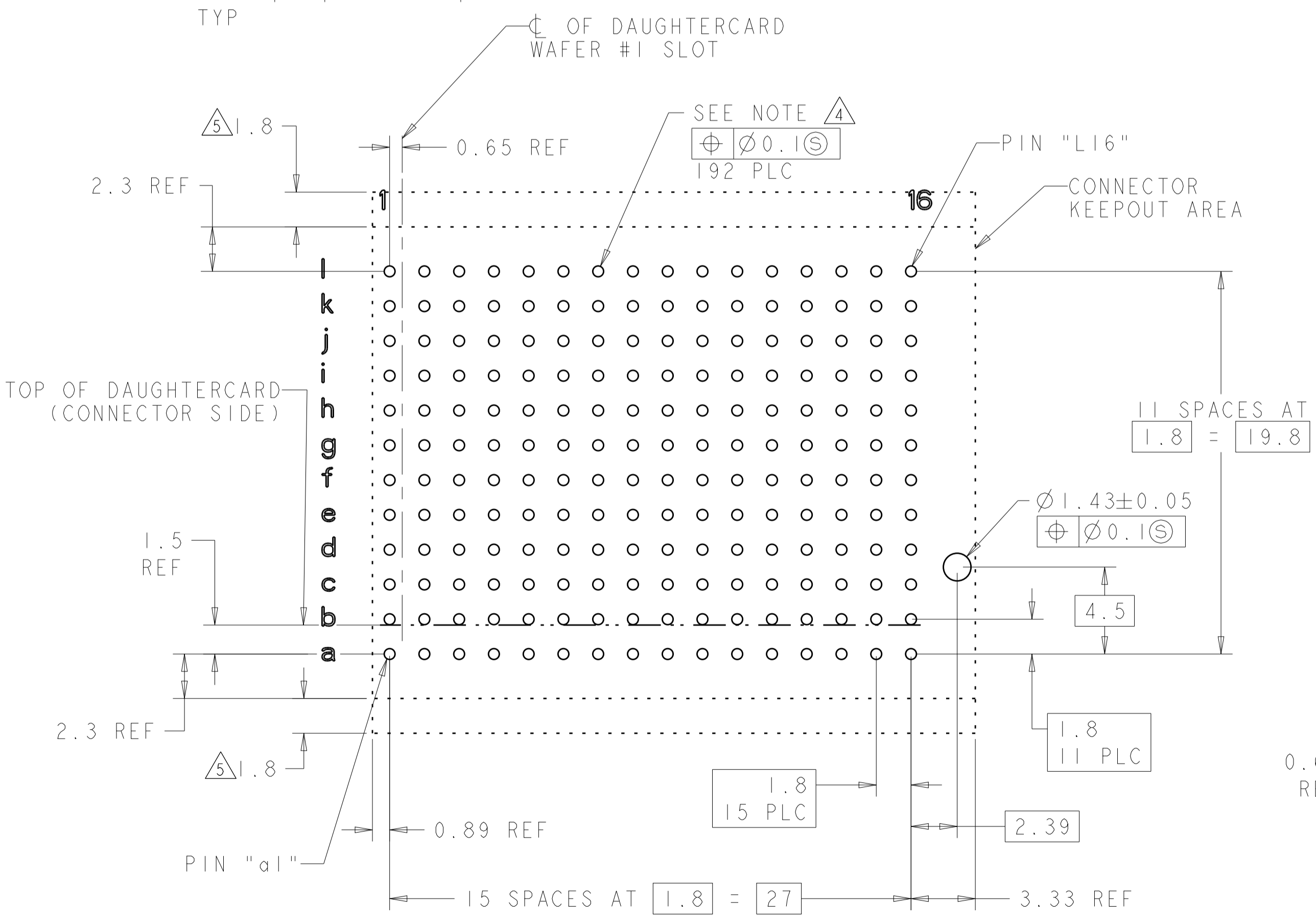


LOC		DIST		REVISONS			
GP	00	REV	LTN	DESCRIPTION	DATE	DWN	APVD
		F		REV PER ECO 14-10695	7-16-14	CT	DH



- △ HOUSING: LCP, UL94V0, COLOR: BLACK. CONTACT: PHOSPHOR BRONZE.
- △ FINISH: 1.27µm GOLD IN CONTACT AREA 1.27µm MIN TIN-LEAD ON PCB TAIL OVER 3.81µm MIN NICKEL OVER ALL.
- △ FINISH: 1.27µm GOLD IN CONTACT AREA 1.27µm MIN TIN ON PCB TAIL OVER 3.81µm MIN NICKEL OVER ALL.
- △ MANUFACTURING TOLERANCE FOR:
 Ø0.56±0.05 FINISHED HOLE WITH Sn PB PLATING:
 DRILLED HOLE = Ø0.65±0.02
 COPPER PLATING = 0.025-0.050
 Sn PB PLATING = 0.0038-0.0124
 OR
 Ø0.575±0.050 FINISHED HOLE WITHOUT Sn PB PLATING:
 DRILLED HOLE = Ø0.65±0.02
 COPPER PLATING = 0.025-0.050
- △ ADDITIONAL CONNECTOR SIDE KEEPOUT AREA REQUIRED IF CONNECTOR SIDE EXTRACTION TOOL IS TO BE USED.
- △ OBSOLETE PARTS: OBSOLETE CIS STREAMLINING PER D.RENAUD/D.SINISI
- △ TE PART NO AND DATE CODE MARKED IN THIS AREA, EITHER SIDE



PC BOARD LAYOUT (CONNECTOR SIDE) SCALE 5:1

OBSOLETE				1410128-2
				1410128-1
				PART NO

THIS DRAWING IS A CONTROLLED DOCUMENT.

DIMENSIONS: mm

TOLERANCES UNLESS OTHERWISE SPECIFIED:

0 PLC	±
1 PLC	±0.5
2 PLC	±0.13
3 PLC	±
4 PLC	±
ANGLES	±1°

MATERIAL: △

FINISH: △

OWN: R. IREA 27FEB2002

CHK: J. CONSOLI 27FEB2002

APVD: J. CONSOLI 27FEB2002

PRODUCT SPEC: 108-2072

APPLICATION SPEC: 114-13056

WEIGHT: -

CUSTOMER DRAWING

SCALE: 8:1

SHEET: 1 OF 1

REV: F

REMARKS

PLATING

TE Connectivity

CONNECTOR ASSEMBLY, BACKPLANE VERTICAL RECEPTACLE, RIGHT END, 25.4mm, MultiGig RT 2

SIZE: A1

CAGE CODE: 100779

DRAWING NO: 1410128