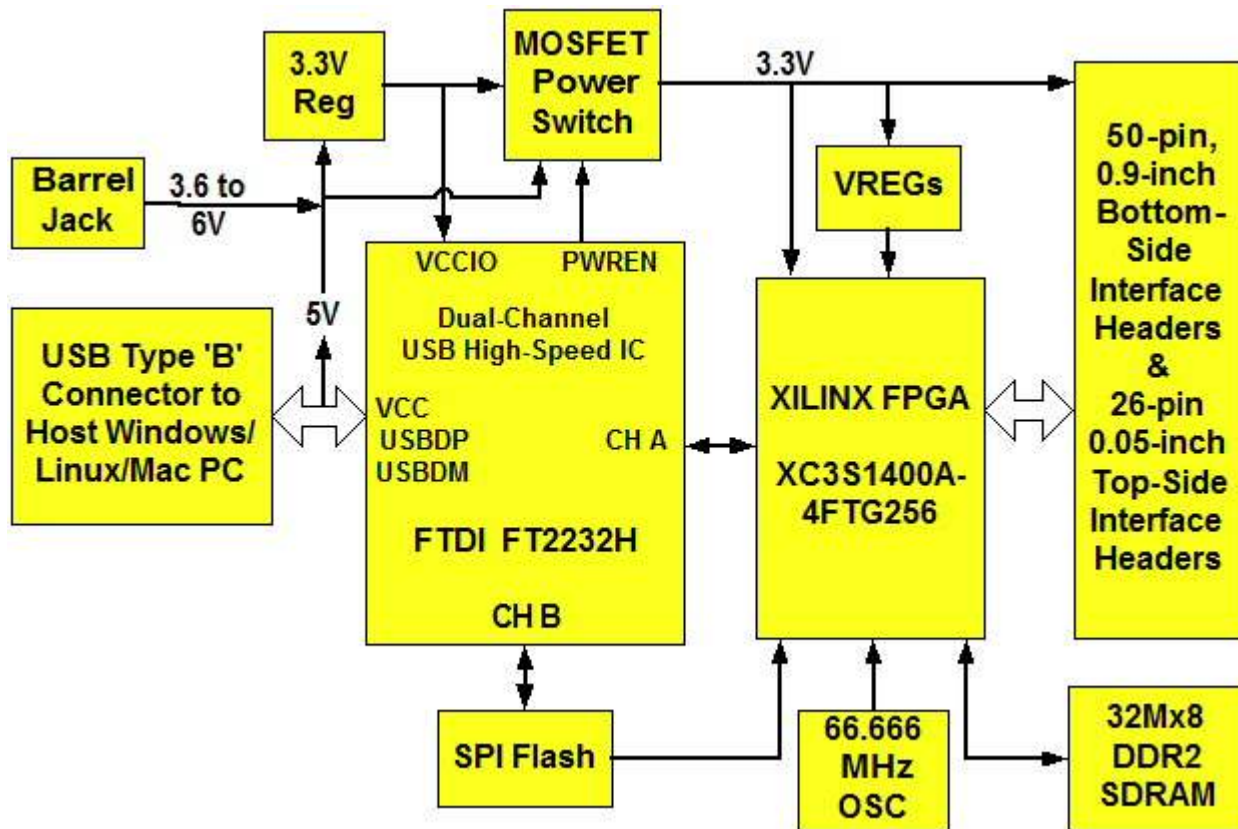




DLP-HS-FPGA3 LEAD FREE

USB - FPGA MODULE



FEATURES:

- Xilinx XC3S1400A-4FTG256C FPGA Utilized on the DLP-HS-FPGA3
- Micron 32M x 8 DDR2 SDRAM Memory
- Built-In Configuration Loader; Writes the Bit File Directly to SPI Flash via High-Speed USB 2.0 Interface
- 63 User I/O Channels: 21 Differential Pairs and 8 Global Clocks
- 66.666 MHz Oscillator
- 133 MHz DDR2 Interface Reference Design Provided
- USB Port Powered or 5V External Power Barrel Jack
- USB 1.1 and 2.0 Compatible Interface
- Small Footprint: 3.0 x 1.2-Inch PCB and Standard 50-Pin, 0.9-Inch DIP Interface

APPLICATIONS:

- Rapid Prototyping
- Educational Tool
- Industrial/Process Control
- Data Acquisition/Processing
- Embedded Processor

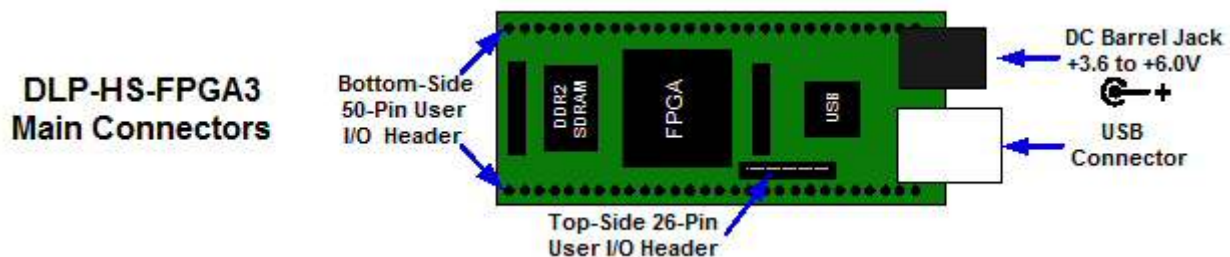
1.0 INTRODUCTION

The DLP-HS-FPGA3 module is a low-cost, compact prototyping tool that can be used for rapid proof of concept or within educational environments. The module is based on the Xilinx Spartan™ 3A and Future Technology Devices International's FT232H Dual-Channel High-Speed USB IC. The DLP-HS-FPGA3 provides both the beginner as well as the experienced engineer with a rapid path to developing FPGA-based designs. When combined with the free ISE™ WebPACK™ tools from Xilinx, this module is more than sufficient for creating anything from basic logical functions to a highly complex system controller.

As a bonus feature, one channel of the dual-channel USB interface is used to load user bit files directly to the SPI Flash—no external programmer is required. This represents a savings of as much as \$200 in that no additional programming cable is required for configuring the FPGA. All that is needed to load bit files to the DLP-HS-FPGA3 is a Windows software utility (free with purchase), a Windows PC and a USB cable. The module can also be programmed from within the Xilinx ISE tool environment using a Xilinx programming cable (purchased separately).

The DLP-HS-FPGA3 is fully compatible with the free ISE™ WebPACK™ tools from Xilinx. ISE™ WebPACK™ offers the ideal development environment for FPGA designs with HDL synthesis and simulation, implementation, device fitting and JTAG programming.

The DLP-HS-FPGA3 has on-board voltage regulators that generate all required power supply voltages from a single, 5-volt source. Power for the module can be taken from either the host USB port or from a user-supplied, external 5-volt power supply via an onboard standard barrel connector.



Connection to user electronics is made via a 50-pin, 0.9-inch wide, industry-standard 0.025-square inch post DIP header on the bottom of the board and a 26-pin, 0.05-inch wide top-side 2x13 header. The bottom-side 50-pin header provides access to 41 of the FPGA user input/output pins. The top-side header provides access to 22 of the FPGA user input/output pins. The bottom-side header mates with a user-supplied, standard, 50-pin, 0.9-inch spaced DIP socket. The top-side header mates with a user-supplied, 0.05-inch spaced, 2x13 connector such as the FFSD-13-D-xx.xx-01 (xx.xx = cable length) ribbon cable assembly from Samtec.



DIP Socket

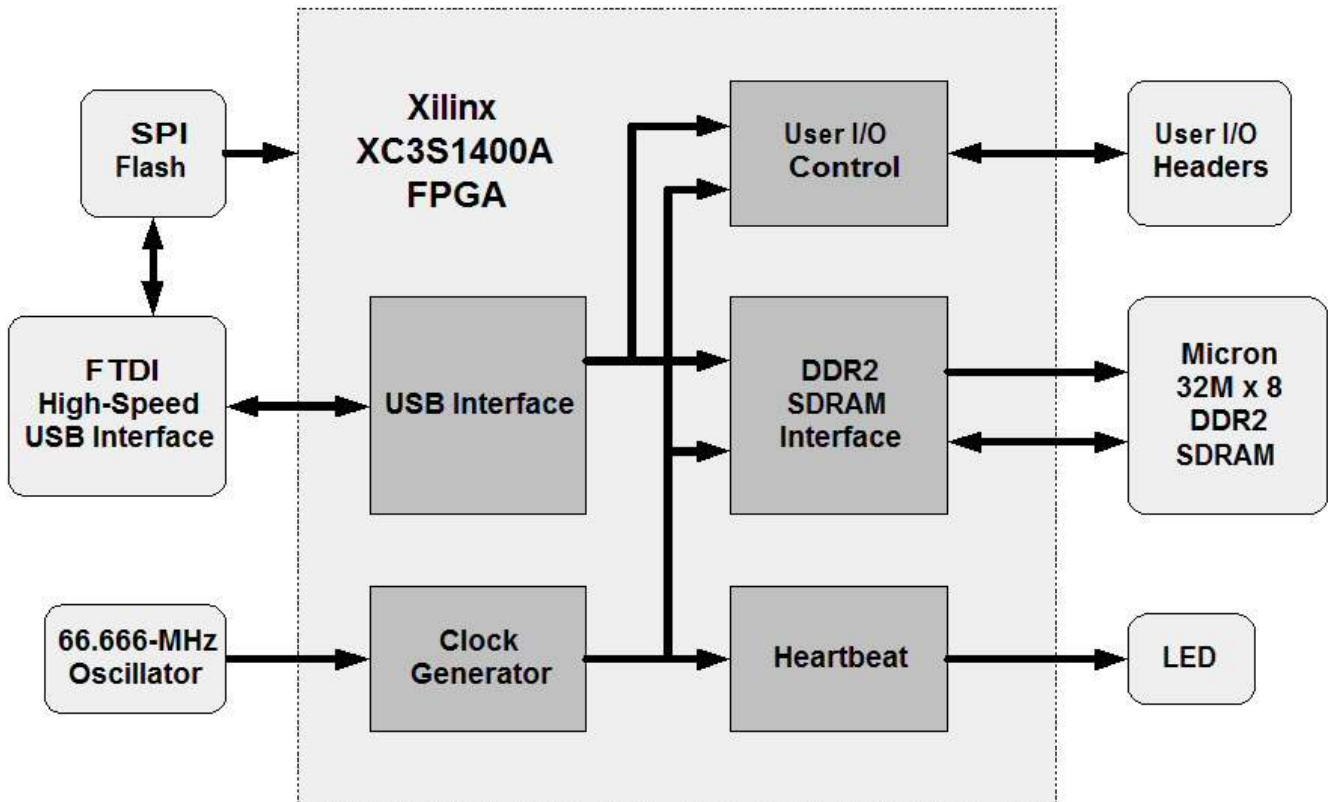


Ribbon Cable

Other on-board features include a 32M x 8 DDR2 SDRAM memory IC for user projects and both JTAG and SPI Flash interface ports for connection to Xilinx programming tools.

2.0 REFERENCE DESIGN

A 10,000-line reference design is available for the Spartan™ 3A FPGA on the DLP-HS-FPGA3 to those who purchase the module. The design was written in VHDL and built using the free Xilinx ISE™ WebPACK™ tools. The reference design consists of the following blocks:



It contains a USB Interface Block, a User I/O Block, a DDR2 SDRAM interface, a Heartbeat Pulse Generator and a Clock Generator. The SPI Flash is used to store the design's FPGA configuration file.

The USB interface captures, interprets and returns command and data information sent from the host PC through the FTDI USB interface to the FPGA. Commands include Ping, Return Status, Loopback Data, Set a User I/O Pin High or Low, Read a User I/O Pin, Initialize the DDR2 SDRAM Memory and Read (from) or Write (to) the DDR2 SDRAM Memory. (Section 11 explains these in detail.)

The User I/O Block controls access to the 63 user I/O pins accessible through the top- and bottom-side headers. Every one of these pins can be either an input or an output. The User I/O Block can configure these pins as inputs and read their state, or as outputs and drive them high or low. (As a side note, 48 of these user I/O pins can be configured as 24 differential pairs, 8 can be configured as global clock inputs and 6 can be configured as regional clock inputs.)

The DDR2 SDRAM interface block manages the memory's initialization, the refresh cycle and the read and write access. Read and write access is available in 4-byte bursts. The traces between the DDR2 SDRAM and FPGA are matched within 10 mils to accommodate reliable data transfer at 266 Mbit/s (clocked at 133MHz). The interface creates and aligns the Data Strobes (DQS) based on an external feedback trace that matches two times the trace length between the FPGA and the DDR2 SDRAM. The Initialization, Read and Write commands are initiated by the USB interface block and executed by the DDR2 SDRAM interface block.

The Heartbeat Pulse Generator takes the internal system clock and divides it down so that the onboard Heartbeat LED will be turned on and off for a duration of approximately one-half second.

The Clock Generator Block receives the 66.666-MHz clock and produces both the 133-MHz clocks required to run the DDR2 SDRAM memory device and the 100-MHz clock for the remaining internal logic in the FPGA. It also handles reset and lock synchronization between internal DCM blocks.

The design occupies the following FPGA resources on the DLP-HS-FPGA3 module's XC3S1400A:

| Device Utilization Summary | | | |
|--|-------|-----------|-------------|
| Logic Utilization | Used | Available | Utilization |
| Number of Slice Flip Flops | 1,263 | 22,528 | 5% |
| Number of 4 input LUTs | 1,182 | 22,528 | 5% |
| Number of occupied Slices | 1,157 | 11,264 | 10% |
| Number of Slices containing only related logic | 1,157 | 1,157 | 100% |
| Number of Slices containing unrelated logic | 0 | 1,157 | 0% |
| Total Number of 4 input LUTs | 1,254 | 22,528 | 5% |
| Number used as logic | 1,066 | | |
| Number used as a route-thru | 72 | | |
| Number used for Dual Port RAMs | 32 | | |
| Number used as Shift registers | 84 | | |
| Number of bonded IOBs | 123 | 161 | 76% |
| IOB Flip Flops | 20 | | |
| IOB Master Pads | 2 | | |
| IOB Slave Pads | 2 | | |
| Number of ODDR2s used | 12 | | |
| Number of BUFGMUXs | 7 | 24 | 29% |
| Number of DCMs | 2 | 8 | 25% |
| Number of RPM macros | 1 | | |
| Average Fanout of Non-Clock Nets | 3.04 | | |

More reference designs are planned. Please contact DLP Design with any specific requests.

3.0 FPGA SPECIFICATIONS



The FPGA device used on the DLP-HS-FPGA3 is the Xilinx Spartan™ 3A:

- Part Number: XC3S1400A-4FTG256C
- System Gates: 1,400,000
- Equivalent Logic Cells: 25,344
- CLB Array:
 - Rows: 72
 - Columns: 40
 - Total CLB's: 2,816
 - Total Slices: 11,264
 - Total Flip Flops: 22,528
 - Total 4-Input LUT's: 22,528
- Distributed RAM Bits: 176K
- Block RAM Bits: 576K
- Dedicated Multipliers: 32
- DCM's: 8

4.0 ABSOLUTE MAXIMUM RATINGS

Stresses above those listed here may cause permanent damage to the DLP-HS-FPGA3:

Operating Temperature: 0-70°C

Voltage on Digital Inputs with Respect to Ground: -0.5V to +4.1 V

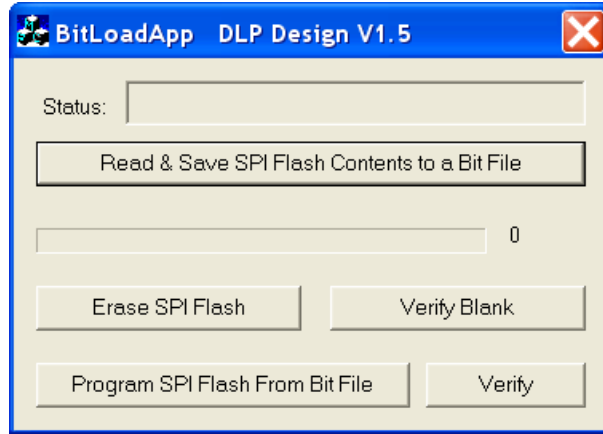
Sink/Source Current on Any I/O: 24 mA (using LVTTTL as the FPGA I/O standard)

5.0 WARNINGS

- Unplug from the host PC and power adapter before connecting to I/O on the DLP-HS-FPGA3.
- Isolate the bottom of the board from all conductive surfaces.
- Observe static precautions to prevent damage to the DLP-HS-FPGA3 module.

6.0 BITLOADAPP SOFTWARE

Windows software is provided for use with the DLP-HS-FPGA3 that will load an FPGA configuration (*.bit) file directly to the SPI Flash device via the USB interface. This application (illustrated below) will allow the user to erase the Flash, verify the erasure and then program and verify the Flash:



7.0 JTAG INTERFACE

The easiest way to load an FPGA configuration (*.bit) file to the FPGA is to run the BitLoadApp software then select and program a file from the local hard drive directly to the SPI Flash. Once written to the SPI Flash, the configuration will load to the FPGA and execute. Alternatively, a traditional JTAG header location is provided on the DLP-HS-FPGA3 giving the user access to the specific pins required by the development tools. (Refer to the schematic contained within this datasheet for details.)

8.0 EEPROM SETUP / MPROG

The DLP-HS-FPGA3 has a dual-channel USB interface to the host PC. Channel B is used exclusively to load an FPGA configuration (*.bit) file to the SPI Flash. This configuration data is automatically transferred to the FPGA when power is applied to the module or when the PROG pin is driven low and then released by the application software. Channel A is used for communication between the FPGA and the host PC at run time. A 93LC56B EEPROM connected to the USB interface IC is used to store the setup for the two channels. The parameters stored in the EEPROM include the Vendor ID (VID), Product ID (PID), Serial Number, Description String, driver selection (VCP or D2XX) and port type (UART serial or FIFO parallel).

As mentioned above, Channel B is used exclusively for loading the FPGA's configuration to the SPI Flash, and Channel A is used for communication between the host PC and the DLP-HS-FPGA3. As such, the D2XX drivers and 245 FIFO mode must be selected in the EEPROM for Channel B. Channel A must use the 245 FIFO mode, but it can use either the VCP or D2XX drivers. The VCP drivers make the DLP-HS-FPGA3 appear as an RS232 port to the host application. The D2XX drivers provide faster throughput but require working with a *.lib or *.dll library in the host application.

The operational modes and other EEPROM selections are written to the EEPROM using the MPROG utility. This utility and its manual are available for download from the bottom of the page at www.dlpdesign.com.

9.0 TEST BIT FILE

A test file is provided as a download from the DLP Design website that provides rudimentary access to the I/O features of the DLP-HS-FPGA3. The following features are provided:

- Ping
- Read the High/Low State of the Input-Only Pins
- Drive I/O Pins High/Low or Read their High/Low State
- Simple Loopback on Channel A
- 4-Byte Read/Write Access of the Row, Column, and Bank Address in the DDR2 SDRAM

This bit file is available from the DLP-HS-FPGA3 download page. The command structure that supports these features is explained in Section 11.

10.0 USB DRIVERS

USB drivers for the following operating systems are available for download from the DLP Design website at www.dlpdesign.com:

| OPERATING SYSTEM SUPPORT | |
|--------------------------|----------------------|
| Windows 7 32-bit | Windows 7 64-bit |
| Windows Vista, Vista x64 | Mac OSX |
| Windows XP, XP x64 | Mac OS9 |
| Windows Server 2008, x64 | Mac OS8 |
| Windows Server 2003, x64 | Linux |
| Windows 2000 | Windows CE 4.2 – 6.0 |

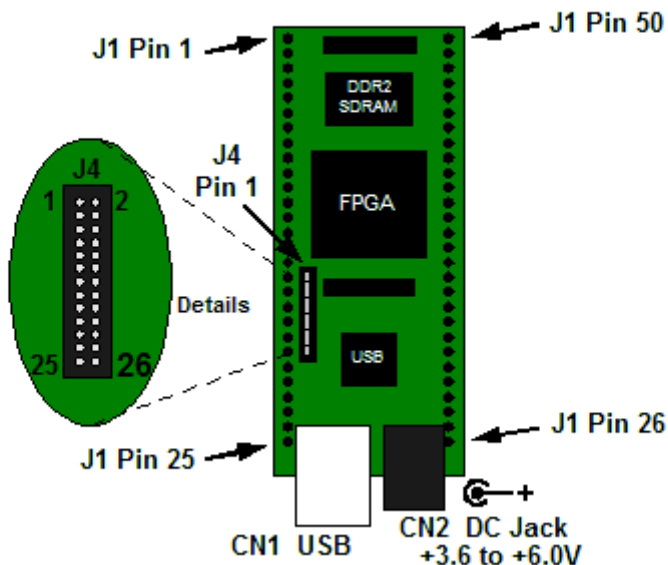
Notes:

1. The bit file load utility only runs on the Windows platforms.
2. The bit file load utility requires the use of USB channel B, and channel B is dedicated to this function.
3. If you are utilizing the dual-mode drivers from FTDI (CDM2.x.x) and you want to use the Virtual COM Port (VCP) drivers, then it may be necessary to disable the D2XX drivers first via Device Manager. To do so, right click on the entry under USB Controllers that appears when the DLP-HS-FPGA3 is connected, select Properties, select the Advanced tab, check the option for "Load VCP" and click OK. Then unplug and replug the DLP-HS-FPGA3, and a COM port should appear in Device Manager under Ports (COM & LPT).

11.0 USING THE DLP-HS-FPGA3

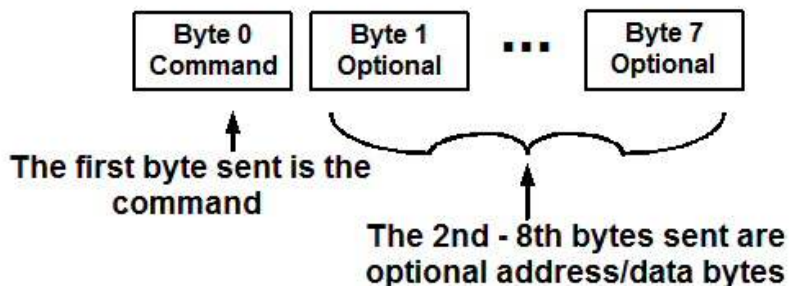
Select a power source via Header Pins 23 and 24, and connect the DLP-HS-FPGA3 to the PC to initiate loading of the USB drivers. The easiest way to do this is to connect Pins 23 and 24 to each other. This will result in operational power being taken from the host PC. Once the drivers are loaded, the DLP-HS-FPGA3 is ready for use.

Top View (J1 Interface Headers on Bottom of PCB)



Simply connect the DLP-HS-FPGA3 to the PC to initiate the loading of USB drivers.

Packet Structure



You can either utilize the Test Application available from <http://www.dlpdesign.com/test.shtml> with the DLP-HS-FPGA3 (as described in Section 12), or you can write your own program in your language of choice.

If you are using the VCP drivers, begin by opening the COM port, and send multi-byte commands as shown in Table 1 below. There is no need to set the baud rate because the DLP-HS-FPGA3 uses a parallel interface between the USB IC and the FPGA. (The Ping Command can be used to locate the correct COM port used for communicating with the DLP-HS-FPGA3, or you can look in Device Manager to see which port was assigned by Windows.) If you are using the D2XX drivers as with the Test Application, no COM port selection is necessary.

TABLE 1

| Command Packets | | | | |
|---------------------|--|------|-------------------|--|
| Command Packet | Description | Byte | Hex Value | Return/Comments |
| Ping | Issues Ping | 0 | 0x00 | Ping Command - 0x56 will be returned indicating that the DLP-HS-FPGA3 is found on the selected port. |
| Read Version/Status | Accesses the internal version/status registers | 0 | 0x10 | Read Version/Status Registers Command |
| | | 1 | 0xnn | Register Address: 0xnn = 0x00 = Board ID (0x30 = Production PCB) 0x01 = FPGA Type ID : 0x6A = XC3S1400A 0x02 = Design Version ID 1 (Design Month) 0x03 = Design Version ID 2 (Design Day) 0x04 = Design Version ID 3 (Design Year) 0x05 = Design Version ID 4 (Design Version) 0x06 = DDR2 Status: 0x00 = Not Initialized 0x01 = Initialized |
| Loopback | Returns the data byte received | 0 | 0x20 | Loopback Command |
| | | 1 | 0xnn | The byte sent to the DLP-HS-FPGA3 (0xnn) will be returned back. |
| Loopback Compliment | Returns the compliment of data byte received | 0 | 0x21 | Loopback Compliment Command |
| | | 1 | 0xnn | The byte sent to the DLP-HS-FPGA3 (0xnn) will be complimented and returned back. |
| Read Pin | Reads the state of one of the user I/O pins | 0 | 0x30 | Read Pin Command |
| | | 1 | 0x00 – 0x3E | The user I/O pin numbers are described in Table 2. User I/O pin 0xnn is read and returns: 0x00 = User I/O pin 0xnn is low 0x01 = User I/O pin 0xnn is high |
| Clear Pin | Forces the selected user I/O pin low | 0 | 0x40 | Clear Pin Command |
| | | 1 | 0x00 – 0x3E | The user I/O pin numbers are described in Table 2. User I/O pin 0xnn is cleared. The specified user I/O number is returned. |
| Set Pin | Forces the selected user I/O pin high | 0 | 0x41 | Set Pin Command |
| | | 1 | 0x00 – 0x3E | The user I/O pin numbers are described in Table 2. User I/O pin 0xnn is set. The specified user I/O number is returned. |
| Initialize Memory | Initializes DDR2 SDRAM | 0 | 0x70 | The Initialize Memory Command configures the DDR2 SDRAM for access by the FPGA. The memory cannot be accessed without being initialized. |

IMPORTANT NOTE ON DDR2 SDRAM DATA ACCESS:

Writes and reads made to and from the DDR2 SDRAM using the reference design on the DLP-HS-FPGA3 module are always performed **4 bytes at a time** due to the fact that the device is configured for a burst length of four. What this means is that Column Address Bits 0 and 1 only change the order of the read or write bytes; they still refer to the same 4 bytes. Therefore, to increment the DDR2 SDRAM address for consecutive memory locations, the column address must be incremented by 4.

Incrementing the column address by anything less than 4 simply changes the order in which the 4 bytes specified by Column Address 9:3 are written to the memory or returned to the user.

For example, a write to a column starting address of 0 will write to column locations 0, 1, 2 and 3. But if the user then writes to column address 1, they will actually be writing to column locations 1, 2, 3 and 0, which will overwrite the previous write operation.

More details on how the DDR2 SDRAM column bits 1 and 0 function can be found in Figure 4 and Table 40 of the Micron™ MT47H32M8 datasheet. For details on how the bank, row and column bits are sent via USB to the memory, refer to the commands below:

| | | | | |
|--------------|-----------------------------------|---|------|--|
| Memory Read | Reads 4 bytes from the DDR2 SDRAM | 0 | 0x8n | Reads 4 bytes from the DDR2 SDRAM starting with the address specified. The command byte is OR'd with the Most Significant Row Address Bit (24). n = 0 the Most Sig Row Address Bit is low (0x80) n = 1 the Most Sig Row Address Bit is high (0x81) |
| | | 1 | 0xah | Bits 23-16: Middle 8 bits of Row Address to be read from |
| | | 2 | 0xam | Bits 15-12: Lower 4 bits of Row Address to be read from Bits 11-8: Upper 4 bits of Column Address to be read from |
| | | 3 | 0xal | Bits 7-2: Lower 6 bits of Column Address to be read from NOTES: Refer to the text above regarding Column Bits 1 and 0 (equates to 0xal bits 3-2). Bits 1-0: Bank Address to be read from. If the memory has not been initialized, the data returned will be invalid, and the command returned will be 0xE7 indicating the error. |
| Memory Write | Writes 4 bytes to the DDR2 SDRAM | 0 | 0x9n | Writes 4 bytes to the DDR2 SDRAM starting with the address specified. The command byte is OR'd with the Most Significant Row Address bit (24). n = 0 the Most Sig Row Address Bit is low (0x90) n = 1 the Most Sig Row Address Bit is high (0x91) |
| | | 1 | 0xah | Bits 23-16: Middle 8 bits of Row Address to be written to |
| | | 2 | 0xam | Bits 15-12: Lower 4 bits of Row Address to be written to Bits 11-8: Upper 4 bits of Column Address to be written to |
| | | 3 | 0xal | Bits 7-2: Lower 6 bits of column address to be written to NOTE: Refer to the text above regarding Column Bits 1 and 0 (equates to 0xal bits 3-2). Bits 1-0: Bank Address to be written to |
| | | 4 | 0xd0 | Data Byte 0 written to Address Specified |
| | | 5 | 0xd1 | Data Byte 1 written to Address Specified + 1 |
| | | 6 | 0xd2 | Data Byte 2 written to Address Specified + 2 |
| | | 7 | 0xd3 | Data Byte 3 written to Address Specified + 3. Returns the 4 bytes written followed by an echo back of the command and address data sent. NOTE: If the memory has not been initialized, the command returned will be 0xE7 indicating the error. |

The USER I/O Pin Read/Set/Clear Commands I/O number mapping to the physical I/O pins on the DLP-HS-FPGA3 board are described in the following table:

| TABLE 2 | | | | |
|-------------------|-------------------------|----------------------|-----------------------|---|
| User I/O | | | | |
| I/O Number | DLP-HS-FPGA3 Pin | XC3S1400A Pin | XC3S1400A Bank | FPGA Pin Configurations Available |
| 0x00 (0) | J1 Pin 2 | D13 | 0 | Digital Input, Output, Differential Pair 0+ |
| 0x01 (1) | J1 Pin 3 | C13 | 0 | Digital Input, Output, Differential Pair 0- |
| 0x02 (2) | J1 Pin 4 | D12 | 0 | Digital Input, Output, Differential Pair 1- |
| 0x03 (3) | J1 Pin 5 | C12 | 0 | Digital Input, Output, Differential Pair 1+ |
| 0x04 (4) | J1 Pin 6 | C10 | 0 | Digital Input, Output, Differential Pair 2+, Global Clock |
| 0x05 (5) | J1 Pin 7 | D9 | 0 | Digital Input, Output, Differential Pair 2-, Global Clock |
| 0x06 (6) | J1 Pin 8 | C8 | 0 | Digital Input, Output, Differential Pair 3+, Global Clock |
| 0x07 (7) | J1 Pin 9 | D8 | 0 | Digital Input, Output, Differential Pair 3-, Global Clock |
| 0x08 (8) | J1 Pin 10 | A14 | 0 | Digital Input, Output, Differential Pair 4+ |
| 0x09 (9) | J1 Pin 12 | A13 | 0 | Digital Input, Output, Differential Pair 4- |
| 0x0A (10) | J1 Pin 13 | A6 | 0 | Digital Input, Output, Differential Pair 5+ |
| 0x0B (11) | J1 Pin 14 | B6 | 0 | Digital Input, Output, Differential Pair 5- |
| 0x0C (12) | J1 Pin 15 | C11 | 0 | Digital Input, Output, Differential Pair 6+ |
| 0x0D (13) | J1 Pin 16 | A11 | 0 | Digital Input, Output, Differential Pair 6- |
| 0x0E (14) | J1 Pin 17 | B8 | 0 | Digital Input, Output, Differential Pair 7-, Global Clock |
| 0x0F (15) | J1 Pin 18 | A8 | 0 | Digital Input, Output, Differential Pair 7+, Global Clock |
| 0x10 (16) | J1 Pin 19 | C5 | 0 | Digital Input, Output, Differential Pair 8- |
| 0x11 (17) | J1 Pin 20 | A5 | 0 | Digital Input, Output, Differential Pair 8+ |
| 0x12 (18) | J1 Pin 21 | B3 | 0 | Digital Input, Output, Differential Pair 9- |
| 0x13 (19) | J1 Pin 22 | A3 | 0 | Digital Input, Output, Differential Pair 9+ |
| 0x14 (20) | J1 Pin 27 | F3 | 3 | Digital Input, Output |
| 0x15 (21) | J1 Pin 29 | G2 | 3 | Digital Input, Output |
| 0x16 (22) | J1 Pin 30 | C2 | 3 | Digital Input, Output, Differential Pair 11+ |
| 0x17 (23) | J1 Pin 31 | C1 | 3 | Digital Input, Output, Differential Pair 11- |
| 0x18 (24) | J1 Pin 32 | E1 | 3 | Digital Input, Output, Differential Pair 12- |
| 0x19 (25) | J1 Pin 33 | D1 | 3 | Digital Input, Output, Differential Pair 12+ |
| 0x1A (26) | J1 Pin 34 | F4 | 3 | Digital Input, Output |
| 0x1B (27) | J1 Pin 35 | J2 | 3 | Digital Input, Output |
| 0x1C (28) | J1 Pin 36 | C6 | 0 | Digital Input, Output |
| 0x1D (29) | J1 Pin 37 | G3 | 3 | Digital Input, Output |
| 0x1E (30) | J1 Pin 38 | M4 | 3 | Digital Input, Output, Differential Pair 15- |
| 0x1F (31) | J1 Pin 39 | N3 | 3 | Digital Input, Output, Differential Pair 15+ |
| 0x20 (32) | J1 Pin 41 | E3 | 3 | Digital Input, Output, Differential Pair 16+ |
| 0x21 (33) | J1 Pin 42 | E2 | 3 | Digital Input, Output, Differential Pair 16- |
| 0x22 (34) | J1 Pin 43 | H3 | 3 | Digital Input, Output, Differential Pair 17+ |
| 0x23 (35) | J1 Pin 44 | J3 | 3 | Digital Input, Output, Differential Pair 17- |

| | | | | |
|-----------|--|-----|---|---|
| 0x24 (36) | J1 Pin 45 | K1 | 3 | Digital Input, Output, Differential Pair 18, Regional Clock |
| 0x25 (37) | J1 Pin 46 | K3 | 3 | Digital Input, Output, Differential Pair 18, Regional Clock |
| 0x26 (38) | J1 Pin 47 | P1 | 3 | Digital Input, Output, Differential Pair 19- |
| 0x27 (39) | J1 Pin 48 | N2 | 3 | Digital Input, Output, Differential Pair 19+ |
| 0x28 (40) | J1 Pin 49 | T9 | 2 | Digital Input, Output, Global Clock |
| 0x29 (41) | J4 Pin 1 | B15 | 0 | Digital Input, Output |
| 0x2A (42) | J4 Pin 3 | A12 | 0 | Digital Input, Output |
| 0x2B (43) | J4 Pin 5 | B10 | 0 | Digital Input, Output, Differential Pair 20+ |
| 0x2C (44) | J4 Pin 7 | A10 | 0 | Digital Input, Output, Differential Pair 20- |
| 0x2D (45) | J4 Pin 9 | A9 | 0 | Digital Input, Output, Global Clock |
| 0x2E (46) | J4 Pin 11 | N1 | 3 | Digital Input, Output |
| 0x2F (47) | J4 Pin 13 | E7 | 0 | Digital Input, Output |
| 0x30 (48) | J4 Pin 15 | C4 | 0 | Digital Input, Output |
| 0x31 (49) | J4 Pin 17 | C7 | 0 | Digital Input, Output |
| 0x32 (50) | J4 Pin 19 | K4 | 3 | Digital Input, Output |
| 0x33 (51) | J4 Pin 21 | R1 | 3 | Digital Input, Output |
| 0x34 (52) | J4 Pin 2 | A7 | 0 | Digital Input, Output |
| 0x35 (53) | J4 Pin 4 | A4 | 0 | Digital Input, Output, Differential Pair 21+ |
| 0x36 (54) | J4 Pin 6 | B4 | 0 | Digital Input, Output, Differential Pair 21- |
| 0x37 (55) | J4 Pin 8 | F1 | 3 | Digital Input, Output, Differential Pair 22+ |
| 0x38 (56) | J4 Pin 10 | G1 | 3 | Digital Input, Output, Differential Pair 22- |
| 0x39 (57) | J4 Pin 12 | H1 | 3 | Digital Input, Output, Regional Clock |
| 0x3A (58) | J4 Pin 14 | J1 | 3 | Digital Input, Output, Regional Clock |
| 0x3B (59) | J4 Pin 16 | L1 | 3 | Digital Input, Output |
| 0x3C (60) | J4 Pin 18 | M1 | 3 | Digital Input, Output |
| 0x3D (61) | J4 Pin 20 | M3 | 3 | Digital Input, Output, Differential Pair 23+ |
| 0x3E (62) | J4 Pin 22 | L4 | 3 | Digital Input, Output, Differential Pair 23- |
| SUSPEND | J4 Pin 23 | R16 | 1 | Force Suspend Mode (when enabled) |
| AWAKE | J4 Pin 24 | T11 | 2 | Return from Suspend Mode Operation |
| +5V IN | J1 Pin 23 | - | - | +5V input to the DLP-HS-FPGA3 |
| +5V USB | J1 Pin 24 | - | - | +5V supplied by host PC USB port |
| +3.3V OUT | J1 Pin 28, J4 Pin 26 | - | - | +3.3V supplied by the onboard regulator after module enumerated |
| GND | J1 Pin 1, J1 Pin 11, J1 Pin 25, J1 Pin 26, J1 Pin 40, J1 Pin 50, J4 Pin 25 | - | - | Ground |

12.0 USING THE DLP TEST APPLICATION (OPTIONAL)

Users can design their own application interface to send USB commands to the DLP-HS-FPGA3 module or utilize the test application tool available from DLP Design. The DLP Test Application is available in a free version for download from the DLP Design website at www.dlpdesign.com/test.shtml. Using this tool, single- and multi-byte commands can be sent to the DLP-HS-FPGA3 board.

Once installed the test application is used as follows:

The screenshot shows the DLP Design Test Application Ver 2.0s interface. The window title is "DLP Design Test Application Ver 2.0s". The menu bar includes "File", "Internet", and "Help".

1. When DLP-HS-FPGA3 is present, port status will be OPEN - Points to the "Port Status" field in the "DLL Drivers" section, which displays "OPEN".

2. Enter byte(s) required for Command & Data - Points to the "Send To target (hex 00-FF)" section, specifically to the "Send" button and the hex input fields.

3. Enter the number of bytes to be sent in the "Xmit" column - Points to the "Xmit" column in the "Send To target" table.

4. Click Send - Points to the "Send" button in the "Send To target" section.

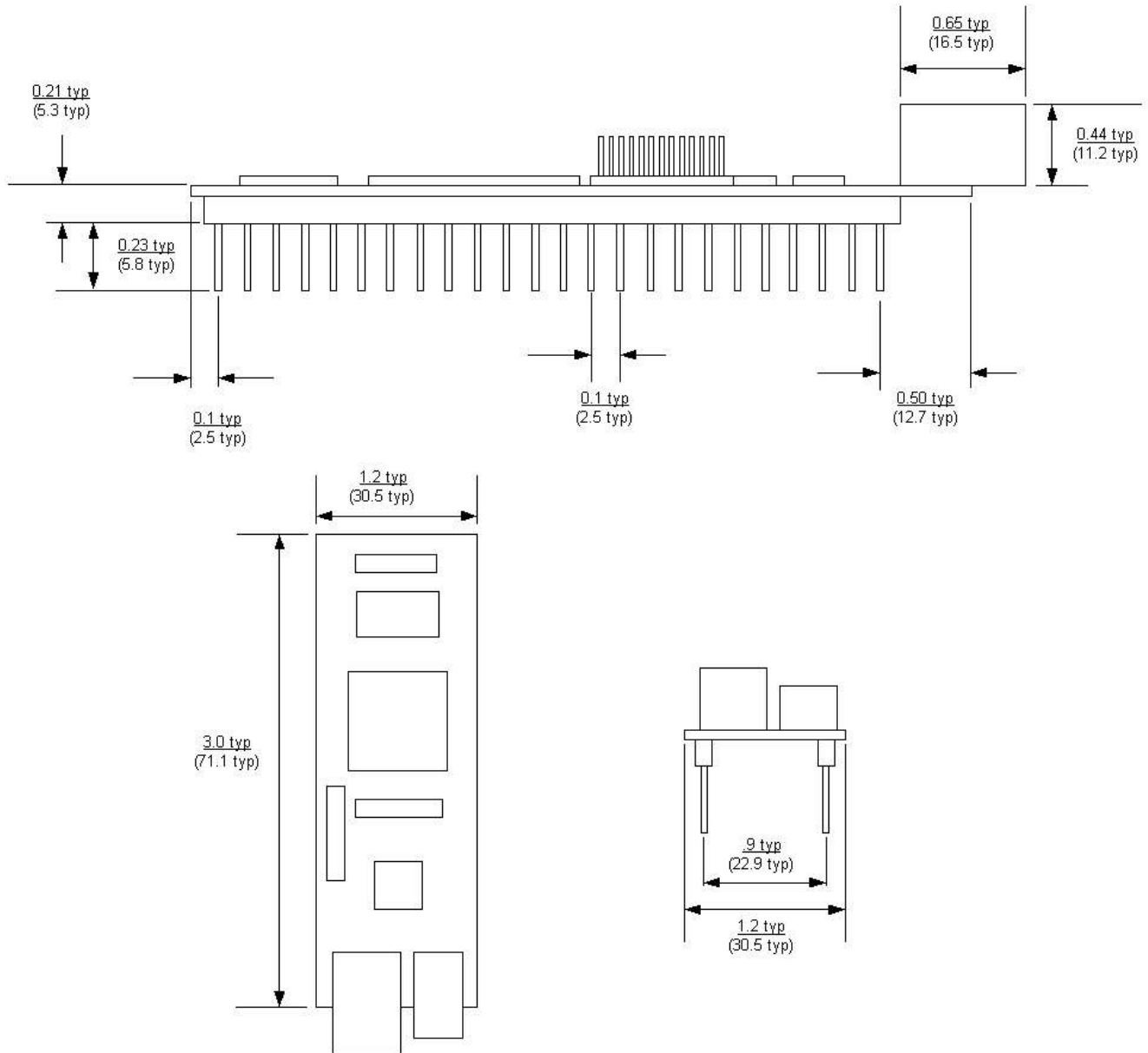
5. Bytes returned from the DLP-HS-FPGA3 will show up here - Points to the "Receive Data" text area, which displays the following data:

```
86 0x56 'V'  
0 0x00 '  
112 0x70 'p'  
1 0x01 'I'  
161 0xA1 'i'
```

At the bottom of the interface, there are options for "Log Format" (ASCII, decimal, hex), "Log" (On, Off), and a "Bytes Received" field showing "5".

The commands used to interface to the DLP-HS-FPGA3 are detailed in Section 11 of this datasheet.

13.0 MECHANICAL DIMENSIONS IN INCHES (MM) (PRELIMINARY)



14.0 DISCLAIMER

© DLP Design, Inc., 2000-2012

Neither the whole nor any part of the information contained herein nor the product described in this manual may be adapted or reproduced in any material or electronic form without the prior written consent of the copyright holder.

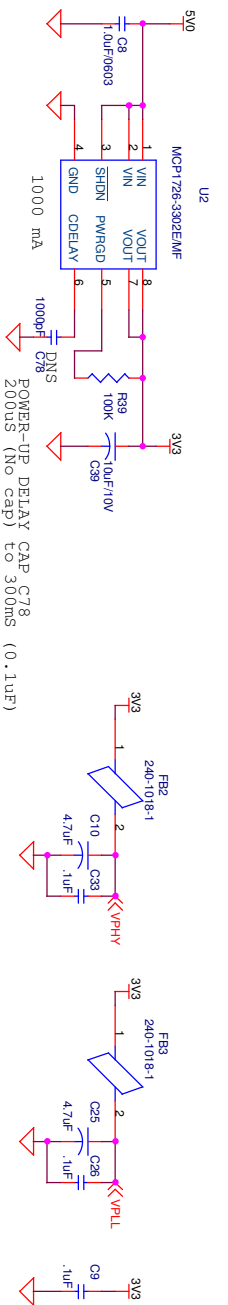
This product and its documentation are supplied on an as-is basis, and no warranty as to their suitability for any particular purpose is either made or implied. DLP Design, Inc. will not accept any claim for damages whatsoever arising as a result of the use or failure of this product. Your statutory rights are not affected. This product or any variant of it is not intended for use in any medical appliance, device or system in which the failure of the product might reasonably be expected to result in personal injury.

This document provides preliminary information that may be subject to change without notice.

15.0 CONTACT INFORMATION

DLP Design, Inc.
1605 Roma Lane
Allen, TX 75013

Phone: 469-964-8027
Fax: 415-901-4859
Email Sales: sales@dlpdesign.com
Email Support: support@dlpdesign.com
Website URL: <http://www.dlpdesign.com>

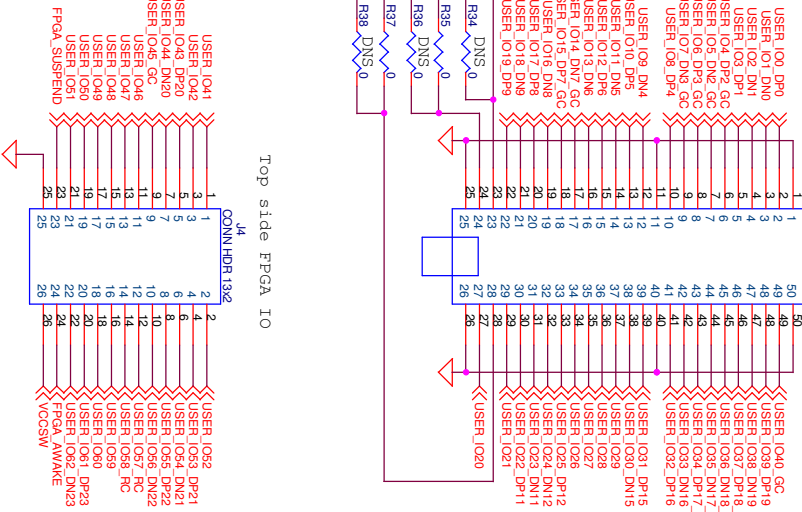
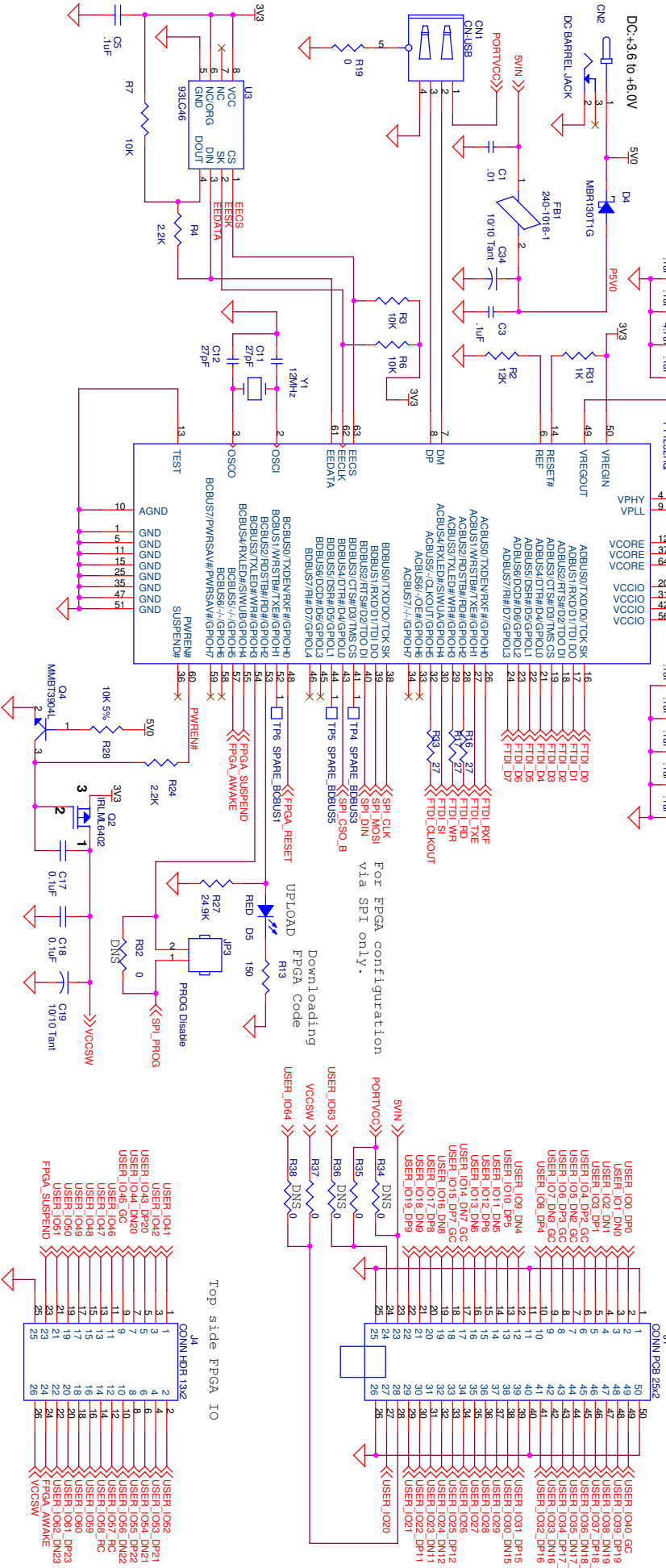


PRELIMINARY
DLP-HS-FPGA3

V1.0

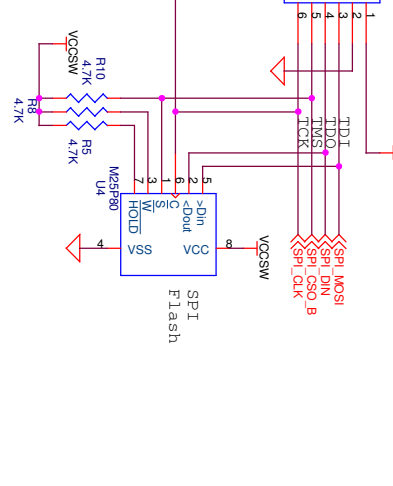
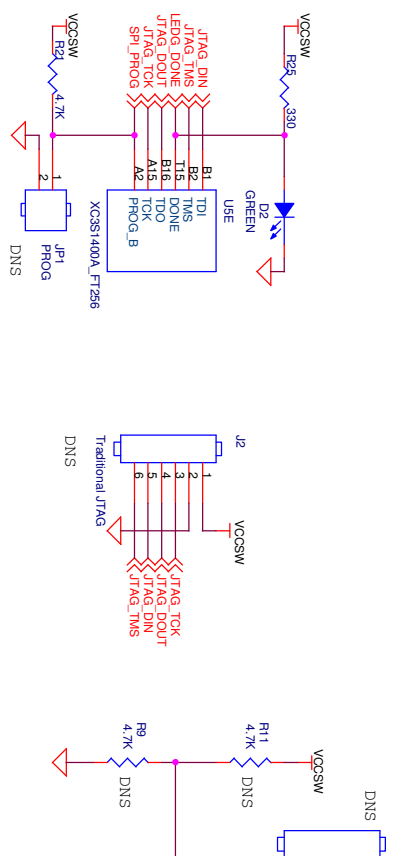
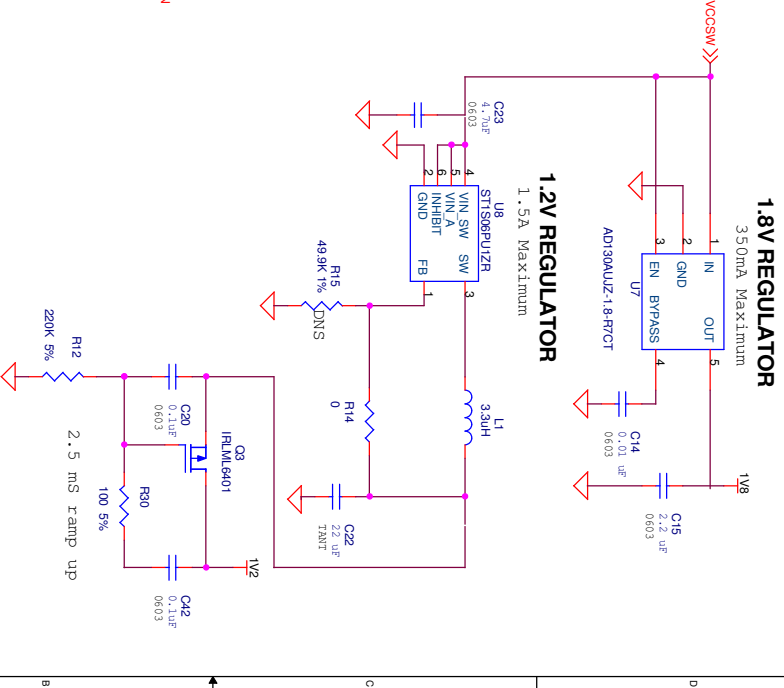
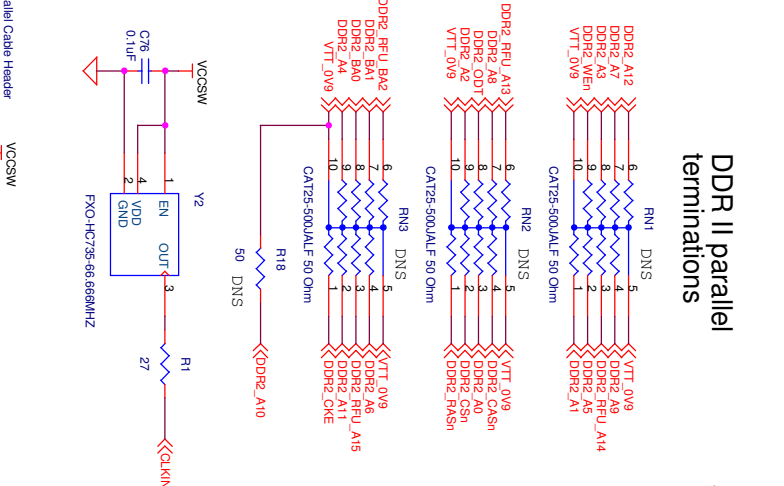
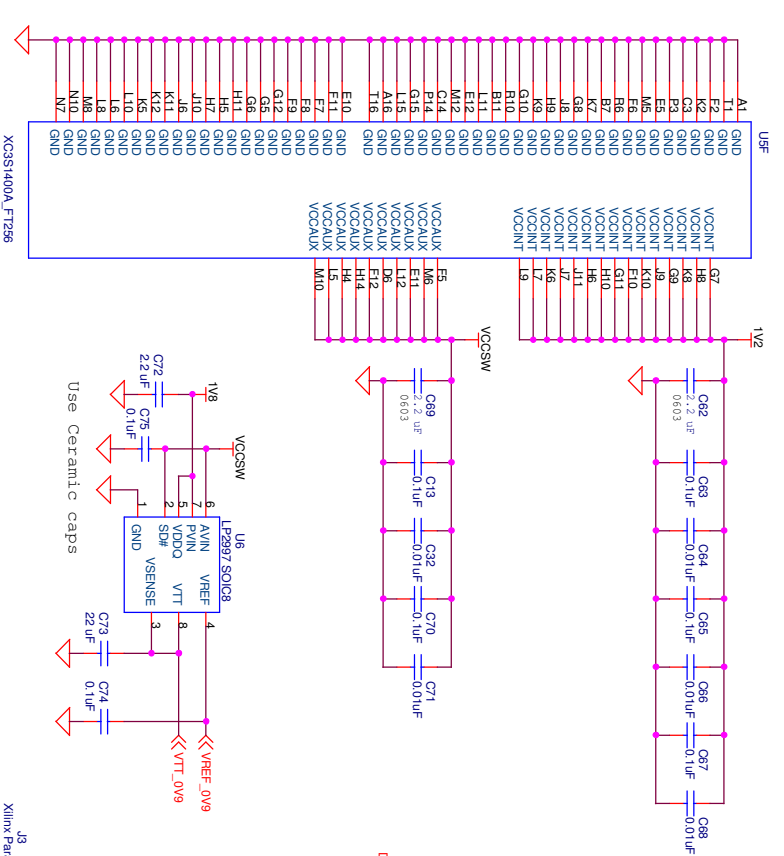
Page 1

Bottom side FPGA IO (Top view)



Top side FPGA IO

5 4 3 2 1





DLP-HS-FPGA3

V1.0

Page 3

