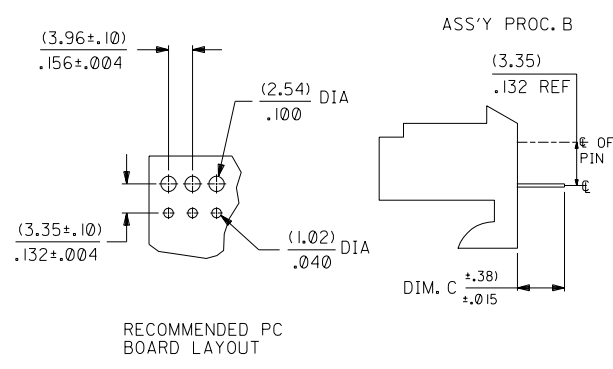


- NOTES:
1. TERMINALS MUST CONFORM TO SOLDERABILITY SPEC. ES-152.
  2. PARTS CONFORM TO PRODUCT SPEC 08-50.
  3. HOUSING MATERIAL: NYLON, UL LISTED
  4. "\*" PRECEDING ENG. NO. IN CHARTS DESIGNATES STANDARD PRODUCT.
  5. TERMINAL TAIL CENTERLINES ARE TO BE WITHIN (.30)/.012 OF EACH OTHER.
  6. FOR KINKED PIN INFORMATION SEE SMES-42329-\*\*\*.



A - 2145 - \* \* N \* \* \* - \*  
 VOID LOCATION  
 ASS'Y. PROCEDURE  
 A=RIGHT ANGLE  
 B=BOTTOM ENTRY  
 C=TOP ENTRY  
 D=TOP ENTRY WITH KINKED TAIL  
 E=BOTTOM ENTRY WITH HOOKS CUT OFF  
 F=TOP ENTRY WITH HOOKS CUT OFF  
 PACKAGING CODE  
 BLANK=BULK PACK  
 A=TUBE PACK PER PK-40873-0026

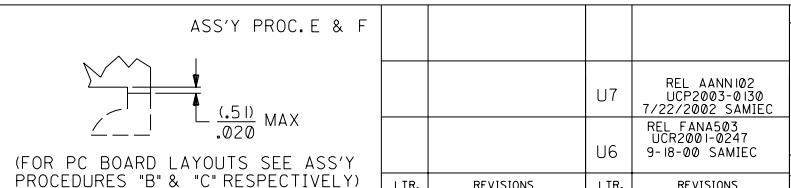
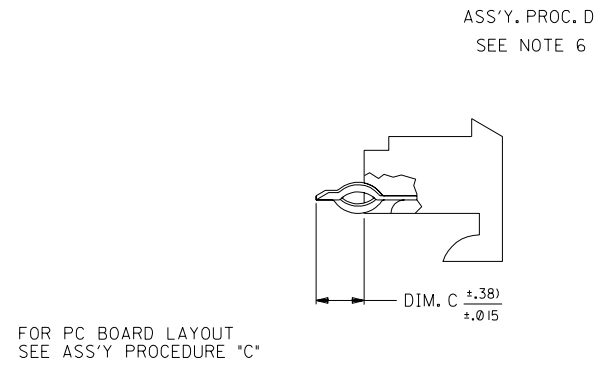
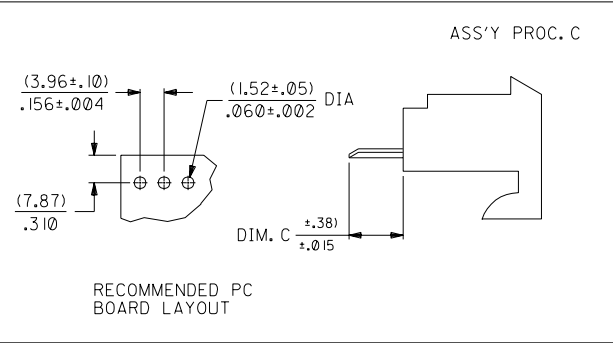
PLATING  
 (102) 200 M.I. MIN TIN OVER 100 M.I. MIN COPPER  
 (587) SELECT GOLD 15 M.I. MIN  
 SELECT TIN-LEAD 75 M.I. MIN. OVER  
 50 M.I. MIN NICKEL

- HOUSING NO.
- A=2145-N-AN 94V-2 NATURAL WITH RAMPES AND HOOKS
  - B=2145-NBK-AN 94V-2 DYED BLACK WITH RAMPES AND HOOKS
  - C=2145-A-AN 94V-0 NATURAL WITH RAMPES AND HOOKS
  - G=2145-N-CN 94V-2 NATURAL WITH HOOKS ONLY
  - H=2145-NGN-AN 94V-2 DYED GREEN WITH RAMPES AND HOOKS
  - J=2145-NYW-AN 94V-2 DYED YELLOW WITH RAMPES AND HOOKS
  - K=2145-NRD-AN 94V-2 DYED RED WITH RAMPES AND HOOKS
  - L=2145-N-AN-5 94V-2 NATURAL W/ RAMPES AND HOOKS MOLDED IN VOIDS

- TERMINAL NO.
- A=2144-AA-AIAA(+)B (BRASS)
  - B=2144-BA-AIAA(+)B (PHOS BRONZE)
  - C=2144-AA-A2AA(+)B (BRASS)
  - D=2144-BA-A2AA(+)B (PHOS BRONZE)
  - E=6298-A(+) (PHOS BRONZE) LOW FORCE
  - H=2188-(\*) (BRASS)
  - J=2188-(\*) (BRASS)
  - K=4244-(\*) (BRASS)
  - L=6298-(\*) (PHOS BRONZE)
  - M=2144-BA-BIAA(+)B (PHOS BRONZE) LOW FORCE
  - N=4244-A(+) (PHOS BRONZE)

NO. OF CKTS.	DIM. A	DIM. B	KINK PIN LOCATION (ASSY. PROC. D ONLY)
2	( 3.96 ± .13 ) .156 ± .005	( 7.82 ) .308	N/A
3	( 7.92 ± .13 ) .312 ± .005	( 11.79 ) .464	N/A
4	( 11.89 ± .13 ) .468 ± .005	( 15.75 ) .620	1, 2 3, 4
5	( 15.85 ± .13 ) .624 ± .005	( 19.71 ) .776	2, 3 4, 5
6	( 19.81 ± .13 ) .780 ± .005	( 23.67 ) .932	2, 3 4, 5
7	( 23.77 ± .25 ) .936 ± .010	( 27.64 ) 1.088	2, 3 5, 6
8	( 27.74 ± .25 ) 1.092 ± .010	( 31.60 ) 1.244	2, 3 6, 7
9	( 31.70 ± .25 ) 1.248 ± .010	( 35.56 ) 1.400	2, 3 7, 8
10	( 35.66 ± .25 ) 1.404 ± .010	( 39.52 ) 1.556	2, 3 8, 9
11	( 39.62 ± .25 ) 1.560 ± .010	( 43.48 ) 1.712	2, 3 9, 10
12	( 43.59 ± .25 ) 1.716 ± .010	( 47.45 ) 1.868	2, 3 10, 11
13	( 47.55 ± .25 ) 1.872 ± .010	( 51.41 ) 2.024	2, 3 11, 12
14	( 51.51 ± .36 ) 2.028 ± .014	( 55.37 ) 2.180	2, 3 12, 13
15	( 55.47 ± .36 ) 2.184 ± .014	( 59.33 ) 2.336	2, 3 13, 14
16	( 59.44 ± .36 ) 2.340 ± .014	( 63.30 ) 2.492	2, 3 14, 15

20	U
19	T
18	U7
17	M
16	T6
15	T
14	T2
13	U6
12	U5
11	R3
10	U
9	T
8	T
7	U3
6	U
5	U
4	U
3	U
2	U
1	U7



DIMENSIONS SHOWN (METRIC) INCH UNLESS OTHERWISE SPECIFIED TOLERANCES: ANGULAR ± 1/2°

INCH	METRIC
3 PLACE ± .010	---
2 PLACE ± .014	± 0.25
1 PLACE ---	± 0.36

DRAFT WHERE APPLICABLE MUST REMAIN WITHIN DIMENSIONS

DRWG. PEREZ-ARGUETA BY LENZ SCALE

CHK'D. PATEL

FILE NAME S2145X1

TITLE HOUSING ASS'Y, P.C. TAIL (3.96)/.156 C 2145 SERIES DRAWING

MOLEX INCORPORATED U.S.A. 1 OF 20 7 / 9 / 87

SEE CHART SDA-2145

THIS DRAWING CONTAINS INFORMATION THAT IS PROPRIETARY TO MOLEX INC. AND SHOULD NOT BE USED WITHOUT WRITTEN PERMISSION.



A-2145-CANA(122)-*			A-2145-CANB(565)-*			A-2145-CANC(P913)-*			A-2145-FGNA(587)-*		
PART NO.	ENG. NO(SUFFIX ONLY)	VOID CKT.	PART NO.	ENG. NO(SUFFIX ONLY)	VOID CKT.	PART NO.	ENG. NO(SUFFIX ONLY)	VOID CKT.	PART NO.	ENG. NO(SUFFIX ONLY)	VOID CKT.
	-CA2A(122)			-CA2B(565)		09-52-1029	-CA2C(P913)			-FG2A(587)	
	-CA3A(122)			-CA3B(565)		09-52-1039	-CA3C(P913)			-FG3A(587)	
09-86-3043	-CA4A(122)			-CA4B(565)		09-52-1049	-CA4C(P913)			-FG4A(587)	
	-CA5A(122)			-CA5B(565)		09-52-1059	-CA5C(P913)			-FG5A(587)	
	-CA6A(122)		09-62-3066	-CA6B(565)		09-52-1069	-CA6C(P913)			-FG6A(587)	
	-CA7A(122)			-CA7B(565)		09-52-1079	-CA7C(P913)			-FG7A(587)	
09-86-3083	-CA8A(122)			-CA8B(565)		09-52-1089	-CA8C(P913)			-FG8A(587)	
	-CA9A(122)		09-62-3096	-CA9B(565)		09-52-1099	-CA9C(P913)		09-62-4094	-FG9A(587)	
09-86-3103	-CA10A(122)		09-62-3106	-CA10B(565)		09-52-1109	-CA10C(P913)			-FG10A(587)	
	-CA11A(122)			-CA11B(565)		09-52-1119	-CA11C(P913)			-FG11A(587)	
09-86-3123	-CA12A(122)			-CA12B(565)		09-52-1129	-CA12C(P913)			-FG12A(587)	
	-CA13A(122)			-CA13B(565)		09-52-1139	-CA13C(P913)			-FG13A(587)	
	-CA14A(122)			-CA14B(565)		09-52-1149	-CA14C(P913)			-FG14A(587)	
	-CA15A(122)			-CA15B(565)		09-52-1159	-CA15C(P913)		09-62-4154	-FG15A(587)	
	-CA16A(122)			-CA16B(565)			-CA16C(P913)			-FG16A(587)	

COLUMN NO. 1	CON'T. IN COLUMN NO.	SHEET NO.	COLUMN NO. 2	CON'T. IN COLUMN NO.	SHEET NO.	COLUMN NO. 3	CON'T. IN COLUMN NO.	SHEET NO.	COLUMN NO. 4	CON'T. IN COLUMN NO.	SHEET NO.
						SEE SHEET I		SEE SHEET I			
						SEE SHEET I		SEE SHEET I			
						SEE SHEET I		SEE SHEET I			
						SEE SHEET I	R3	SEE SHEET I			
						SEE SHEET I	M	SEE SHEET I			
						SEE SHEET I	D8	SEE SHEET I			
						SEE SHEET I	A	SEE SHEET I			
LTR.	REVISIONS		LTR.	REVISIONS							

**DIMENSIONS SHOWN (METRIC) INCH**  
UNLESS OTHERWISE SPECIFIED  
TOLERANCES ANGULAR ± 1/2°

	INCH	METRIC
3 PLACE	±	±
2 PLACE	±	±
1 PLACE	±	±

**DRAFT WHERE APPLICABLE MUST REMAIN WITHIN DIMENSIONS**

DRWG. PEREZ - DW'D. PATEL  
BY ARGUETA BY  
APP'D. LENZ SCALE :

▽ = 0    ▽ = 0    **REVISE ONLY ON CAD SYSTEM**

TITLE  
**HOUSING ASS'Y, P.C. TAIL**  
(3,96)/.156 C  
**2145 SERIES DRAWING**

**MOLEX INCORPORATED** SHEET NO. 11 DATE 7/9/87  
LITTLEFILL, ILL. 60532 U.S.A.

PART NO. **SEE CHART** DRWG. NO. **SDA-2145**

FILE NAME: S2145X11 THIS DRAWING CONTAINS INFORMATION THAT IS PROPRIETARY TO MOLEX INC. AND SHOULD NOT BE USED WITHOUT WRITTEN PERMISSION. **KK IC**