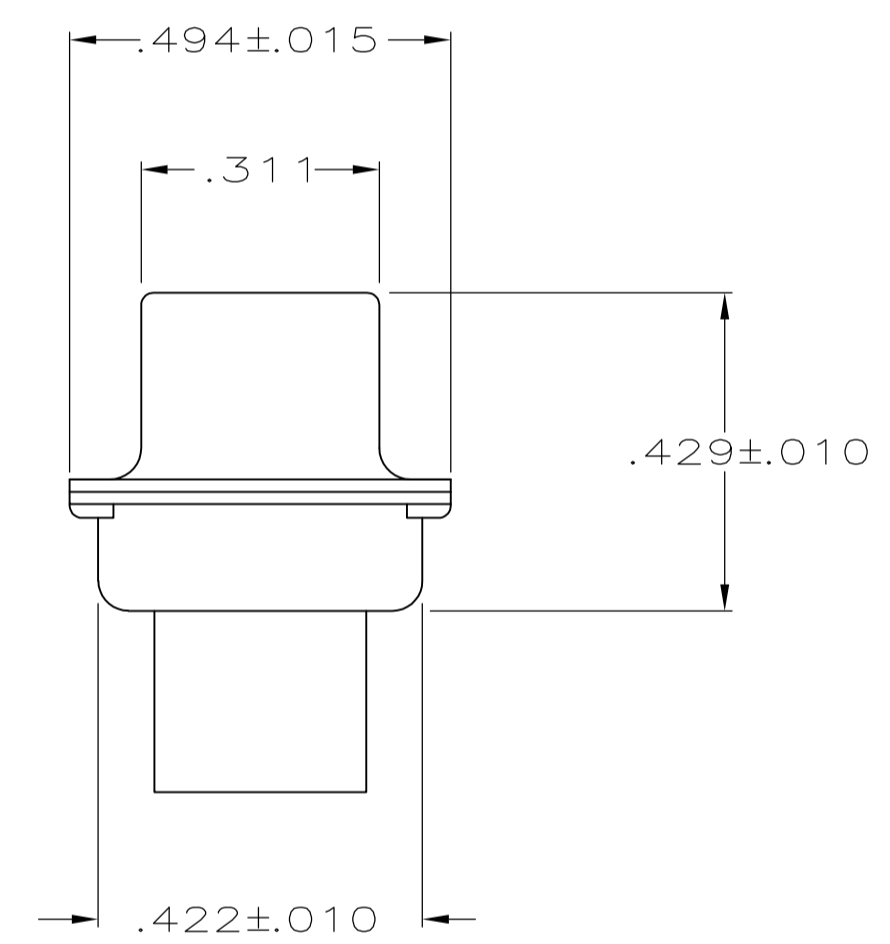
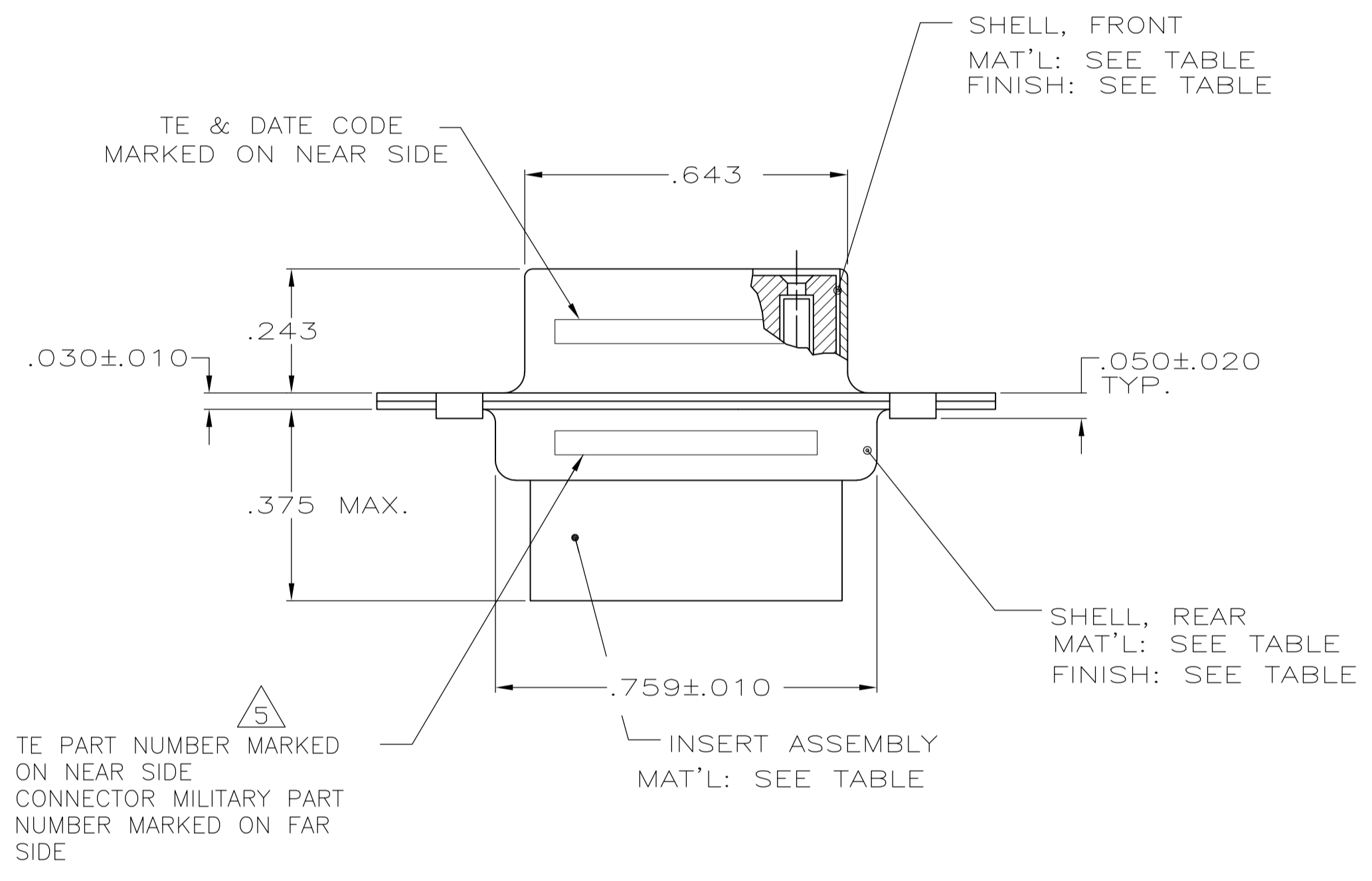
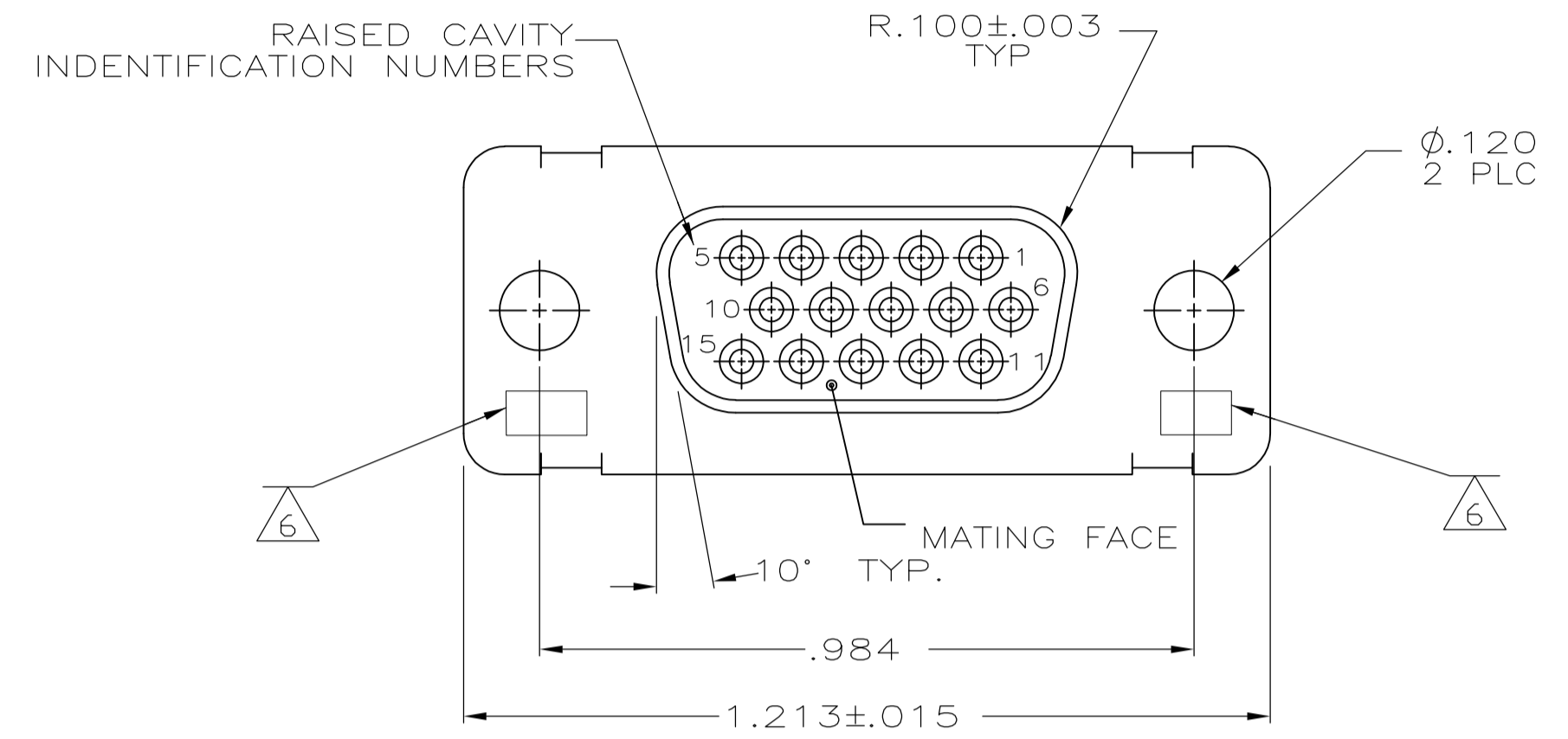


LOC		DIST		REVISIONS			
P	LTR	DESCRIPTION	DATE	DNW	APVD		
W		REV PER ECO-15-016062	09NOV15	KG	CD		



1. THIS RCPT. IS DESIGN TO CONFORM TO THE LATEST ISSUE OF MIL-C-24308.
 2. MAX WIRE INSUL TO BE USED WITH THIS RCPT IS .054 DIA.
 3. METAL RETENTION CLIPS AREA INCLUDED IN INSERTS.
 4. THIS RCPT WILL ACCEPT SIZE 22 SOCKET CONTACT M 39029/57-354 OR ANY HDD-22 CONTACT.
5. TE PART NO. STAMPED ON CONNECTOR REPRESENTS KIT NUMBER WITH CONTACTS.
6. UL/CSA DESIGNATION STAMPED ON SHELL.
7. FINISH: PLATED BRIGHT TIN .000400 MIN THK PER ASTM-B-545 OVER COPPER PLATE .000050 MIN THK PER MIL-C-14550.

204500-4	-	-	7	STEEL, CLASS G	POLYPHENEYLENE SULFIDE (PPS) GST-40F PER MIL-M-24519 OR GLASS FILLED POLYESTER TPES013G30 PER ASTM D5927	204500-4
-	-	-	CADMIUM PER QQ-P-416	STEEL, CLASS G	PHENOLIC COLOR: BLACK	204500-3
SUPSD BY 204500-1	-	-	CADMIUM PER QQ-P-416	BRASS	DIALYL PHTHALATE COLOR: BLUE	204500-2
SUPSD BY 206499-4	204512-2	M24308/2-286F	M24308/2-11F	CADMIUM PER QQ-P-416	POLYPHENEYLENE SULFIDE (PPS) GST-40F PER MIL-M-24519 OR GLASS FILLED POLYESTER TPES013G30 PER ASTM D5927	204500-1
TE P/N MARKED ON CONNECTOR	MILITARY P/N ON PACKAGE	MILITARY P/N ON CONNECTOR	SHELL FINISH	SHELL MATERIAL	INSERT MATERIAL	PART NUMBER

THIS DRAWING IS A CONTROLLED DOCUMENT.

MANJUNATH G. M. 05JUN2015
 CHARLES THOMAS 05JUN2015
 CHARLES THOMAS 05JUN2015

STE TE Connectivity

RCPT ASSY,AMPLIMITE,
 SIZE 1,15 POSN,SERIES 90

SCALE 4:1 SHEET 1 OF 1 REV W