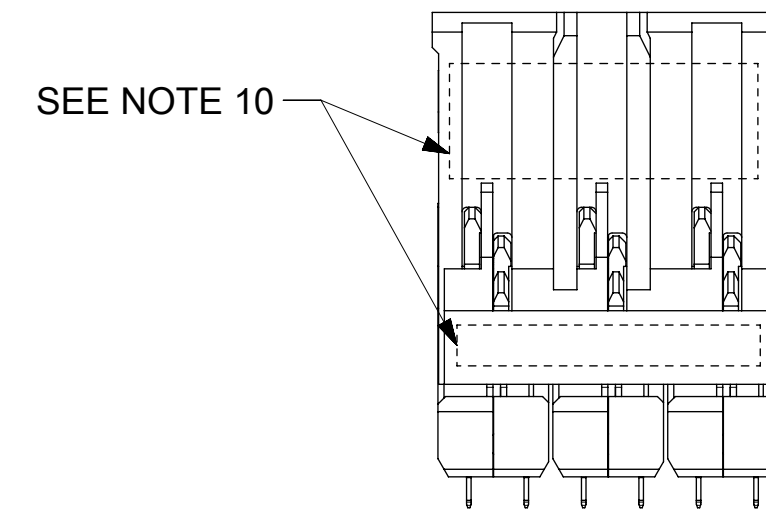
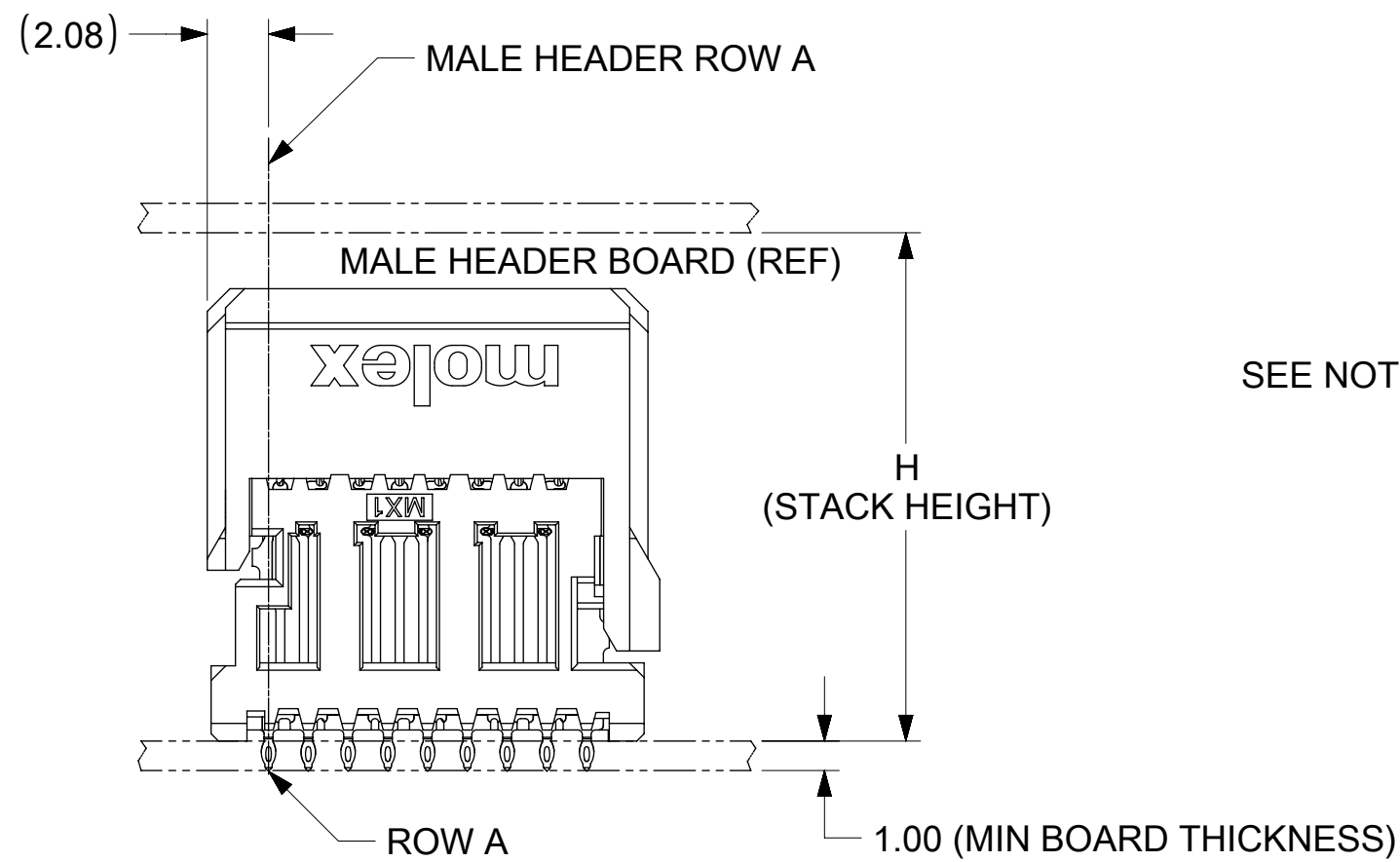
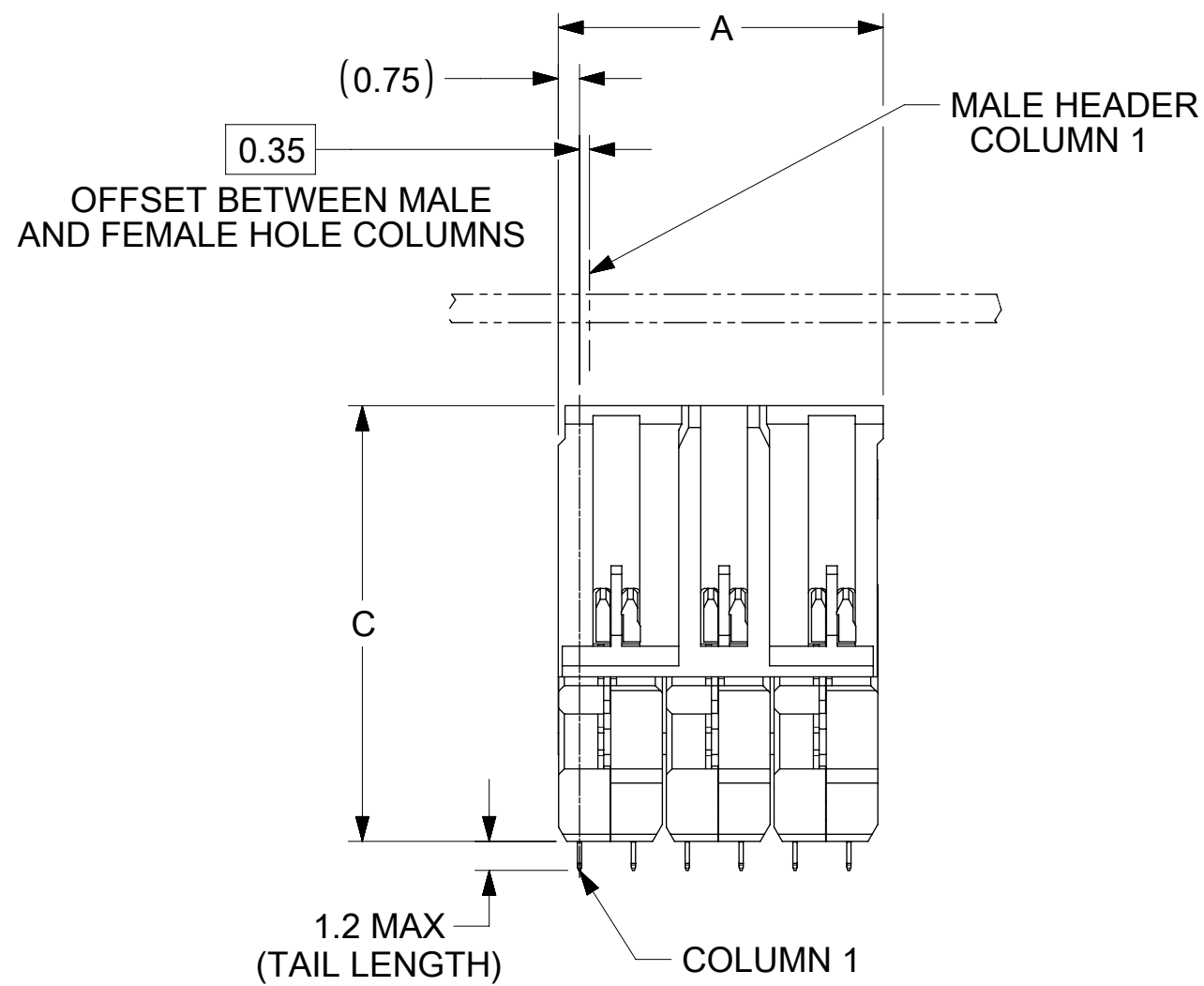
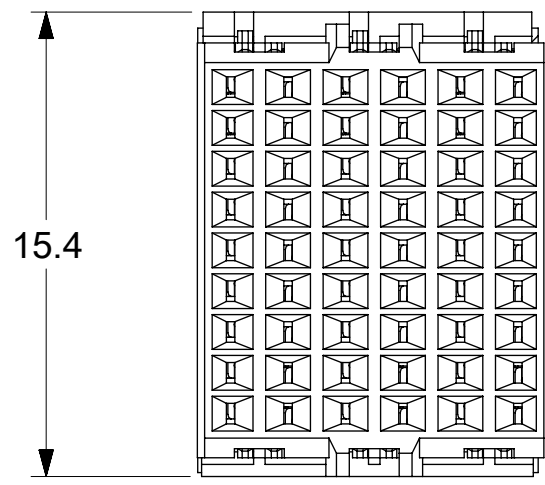


NOTES:

1. MATERIALS: HOUSING - LIQUID CRYSTAL POLYMER (LCP), GLASS-FILLED, UL94V-0  
TERMINALS - HIGH PERFORMANCE COPPER ALLOY
2. FINISH: 30uIN SELECTIVE GOLD IN CONTACT AREA. SELECTIVE MATTE TIN OR SELECTIVE TIN/LEAD ON PCB TAILS. NICKEL OVERALL.
3. EACH SIGNAL WAFER CONTAINS 2 COLUMNS OF TERMINALS.
4. PRODUCT SHALL BE PACKAGED PER PK-70873-0050 (18mm), PK-70873-0051 (22mm).
5. FOR FURTHER INFORMATION SEE PRODUCT SPECIFICATION PS-76060-999.
6. THIS PART CONFORMS TO CLASS B REQUIREMENTS OF COSMETIC SPEC PS-45499-002.
7. REFER TO MOLEX SALES DRAWING SD-76165-001 AND CUSTOM PIN-OUT SERIES 76162 FOR THE MATING HEADERS.
8. REFER TO MOLEX PCB ROUTING GUIDE AS-76060-990 FOR ANTIPAD AND ROUTING RECOMMENDATIONS.
9. "THESE DIMENSIONS REPRESENT THE AREA NEEDED TO ACCOMMODATE CONNECTOR INSERTION & REPAIR ON THE PC BOARD. THIS IS REFERRED TO AS THE "CONNECTOR KEEP OUT ZONE" AND DOES NOT REPRESENT THE ACTUAL PERIMETER OF THE CONNECTOR. WHEN LAYING OUT A PC BOARD WITH CONNECTORS STACKED TOGETHER, USE A 1.90mm PROGRESSION."
10. MARKING: LOCATED APPROXIMATELY AS SHOWN. PART NUMBER AND DATE CODE.



THIS DRAWING CONTAINS INFORMATION THAT IS PROPRIETARY TO MOLEX ELECTRONIC TECHNOLOGIES, LLC AND SHOULD NOT BE USED WITHOUT WRITTEN PERMISSION											
DIMENSION UNITS		SCALE		CURRENT REV DESC: MIGRATED TO NX							
mm		NTS									
GENERAL TOLERANCES (UNLESS SPECIFIED)				EC NO: 705090 DRWN: TMARRI 2018/07/05 CHK'D: DYARAS 2022/03/07 APPR: LZENG 2022/05/13							
ANGULAR TOL ± 0.5°				INITIAL REVISION:							
4 PLACES ±				DRWN: JJONIAK 2010/01/22		DOCUMENT NUMBER		DOC TYPE		DOC PART	REVISION
3 PLACES ±				APPR: TPREMO 2011/01/17		SD-170415-001		PSD	001	B4	
2 PLACES ± 0.1						MATERIAL NUMBER		CUSTOMER		SHEET NUMBER	
1 PLACE ± 0.25						SEE TABLE		GENERAL MARKET		1 OF 2	
0 PLACES ±											
DRAFT WHERE APPLICABLE MUST REMAIN WITHIN DIMENSIONS				THIRD ANGLE PROJECTION		DRAWING		SERIES			
						C-SIZE		170415			

DOCUMENT STATUS	P1	RELEASE DATE	2022/05/13 03:05:06
-----------------	----	--------------	---------------------

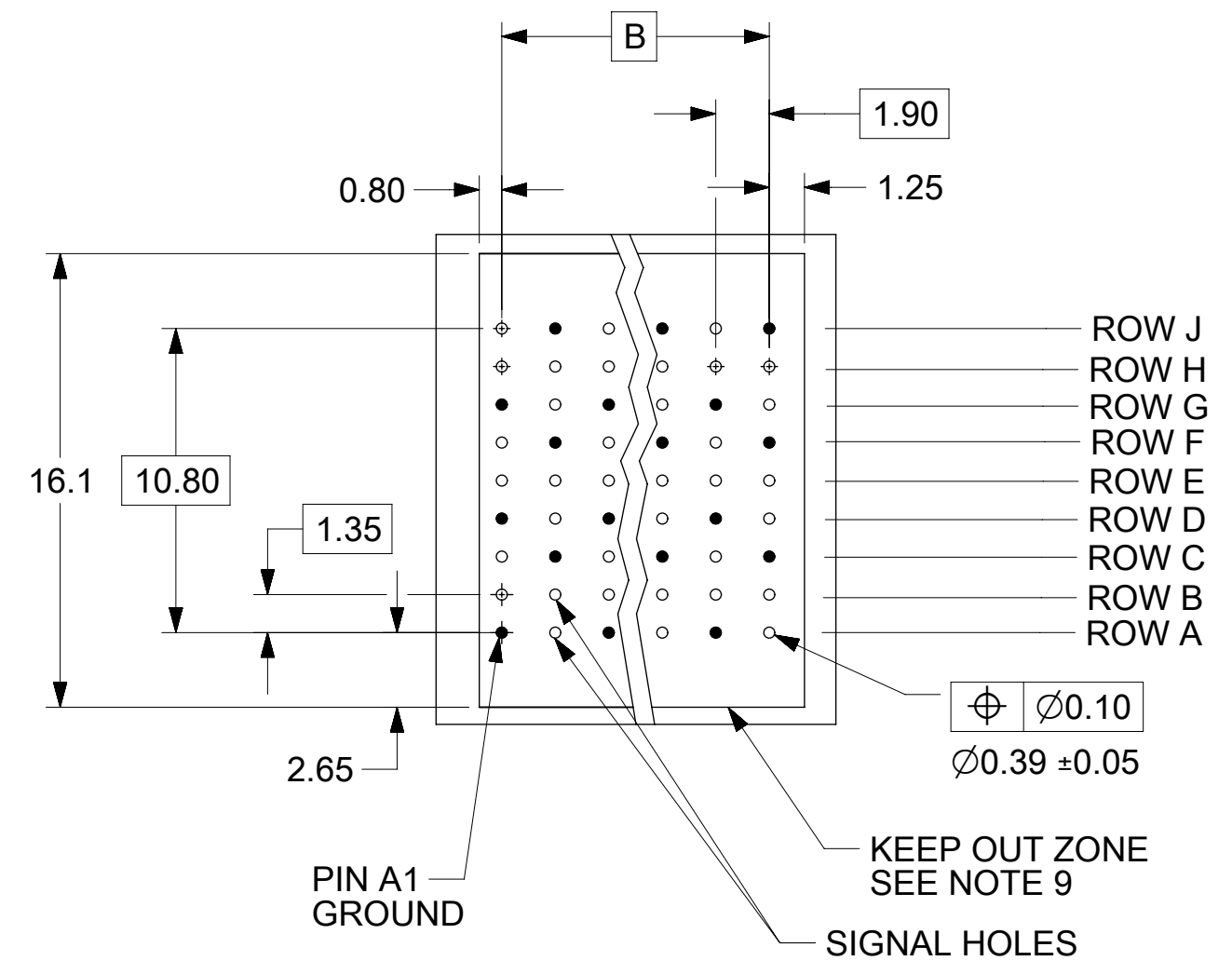
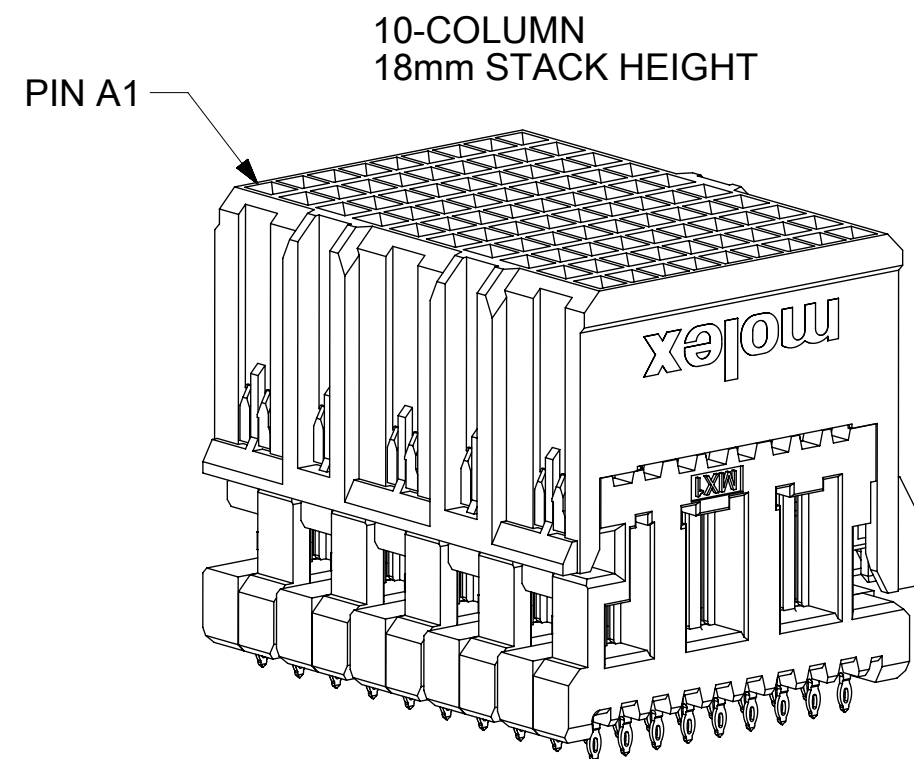
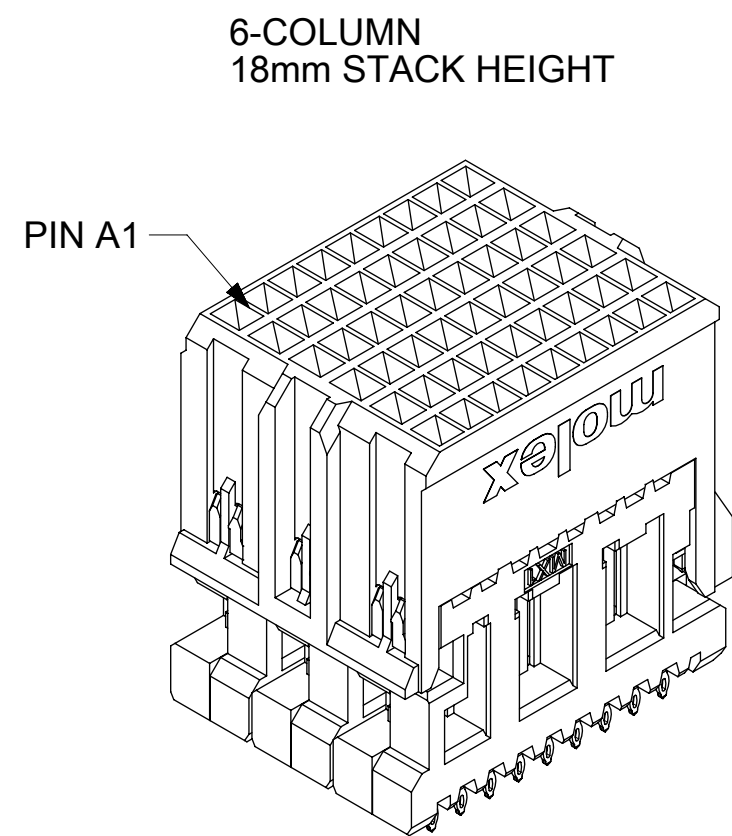
PART NUMBER	# OF COLUMNS	# OF DIFF PAIR	DIM "A"	DIM "B"	DIM "C"	STACK HEIGHT (H)
170415-1618	6	18	11.4	9.50	15.36	18.00
170415-1818	8	24	15.2	13.30	15.36	18.00
170415-1118	10	30	19.0	17.10	15.36	18.00
170415-1918	16	48	30.4	28.50	15.36	18.00
170415-1622	6	18	11.4	9.50	19.36	22.00
170415-1822	8	24	15.2	13.30	19.36	22.00
170415-1122	10	30	19.0	17.10	19.36	22.00
170415-1922	16	48	30.4	28.50	19.36	22.00

170415-1\*\*\*

1 = OPEN LEAD-FREE

STACK HEIGHT  
18 = 18mm  
22 = 22mm

# OF COLUMNS  
6 = 6 COL 0.39 PTH  
8 = 8 COL 0.39 PTH  
1 = 10 COL 0.39 PTH  
9 = 16 COL 0.39 PTH



THIS DRAWING CONTAINS INFORMATION THAT IS PROPRIETARY TO MOLEX ELECTRONIC TECHNOLOGIES, LLC AND SHOULD NOT BE USED WITHOUT WRITTEN PERMISSION											
DIMENSION UNITS		SCALE		CURRENT REV DESC: MIGRATED TO NX							
mm		NTS									
GENERAL TOLERANCES (UNLESS SPECIFIED)				EC NO: 705090							
ANGULAR TOL ± 0.5°				DRWN: TMARRI				2018/07/05			
4 PLACES ±				CHK'D: DYARAS				2022/03/07			
3 PLACES ±				APPR: LZENG				2022/05/13			
2 PLACES ± 0.1				INITIAL REVISION:							
1 PLACE ± 0.25				DRWN: JJONIAK				2010/01/22			
0 PLACES ±				APPR: TPREMO				2011/01/17			
DRAFT WHERE APPLICABLE MUST REMAIN WITHIN DIMENSIONS		THIRD ANGLE PROJECTION		DRAWING		SERIES		MATERIAL NUMBER		CUSTOMER	
				C-SIZE		170415		SEE TABLE		GENERAL MARKET	
DOCUMENT STATUS				P1		RELEASE DATE		2022/05/13		03:05:06	
DOCUMENT NUMBER		DOC TYPE		DOC PART		REVISION					
SD-170415-001		PSD		001		B4					
SHEET NUMBER		2 OF 2									