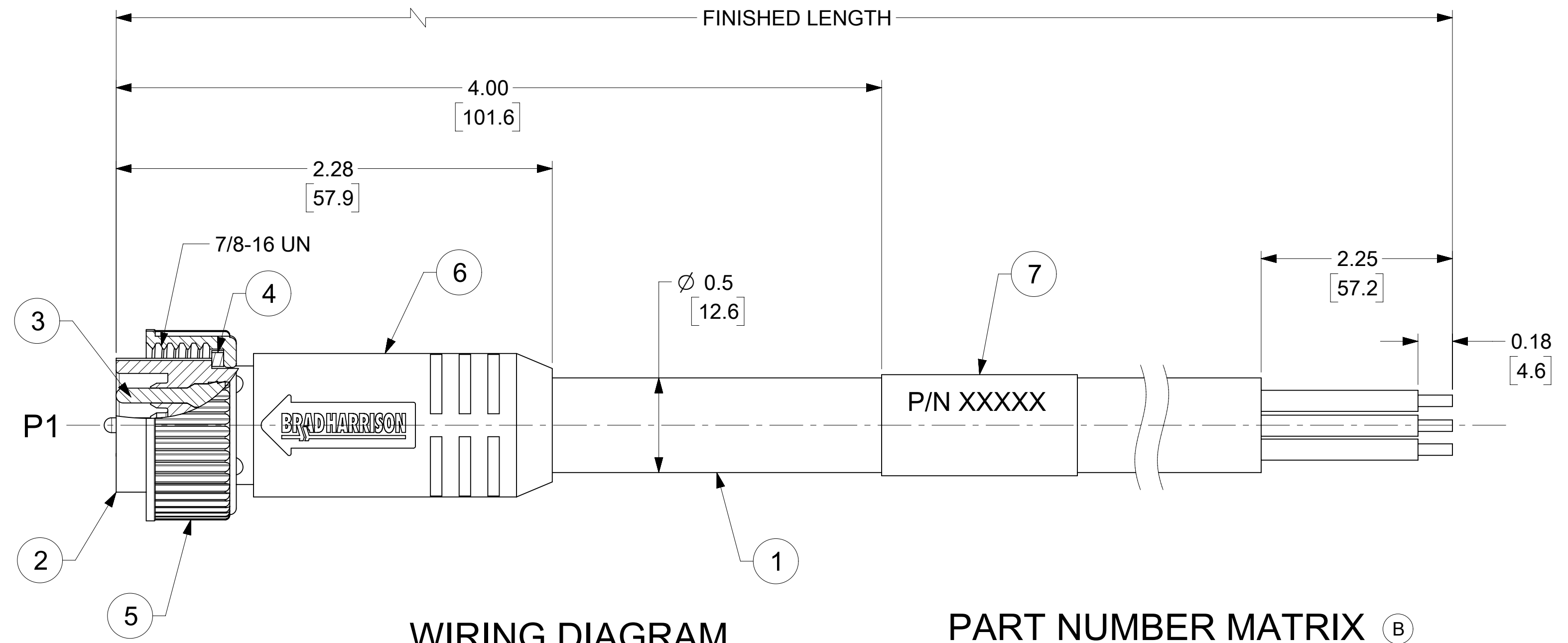
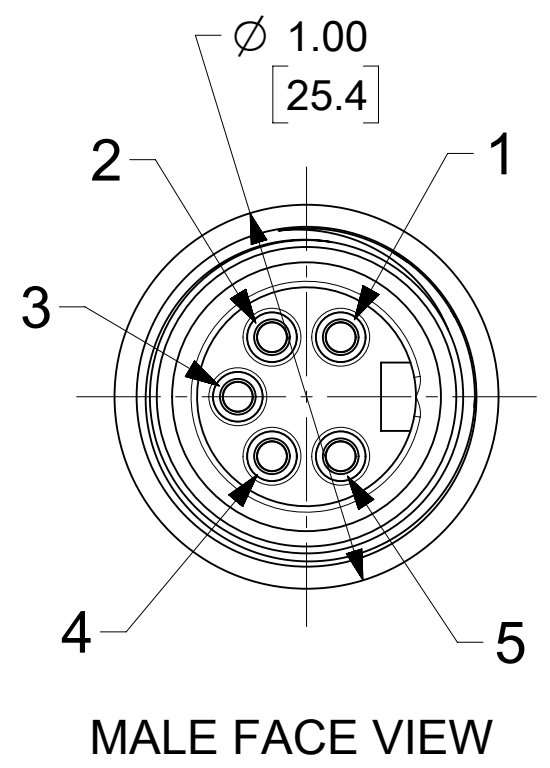
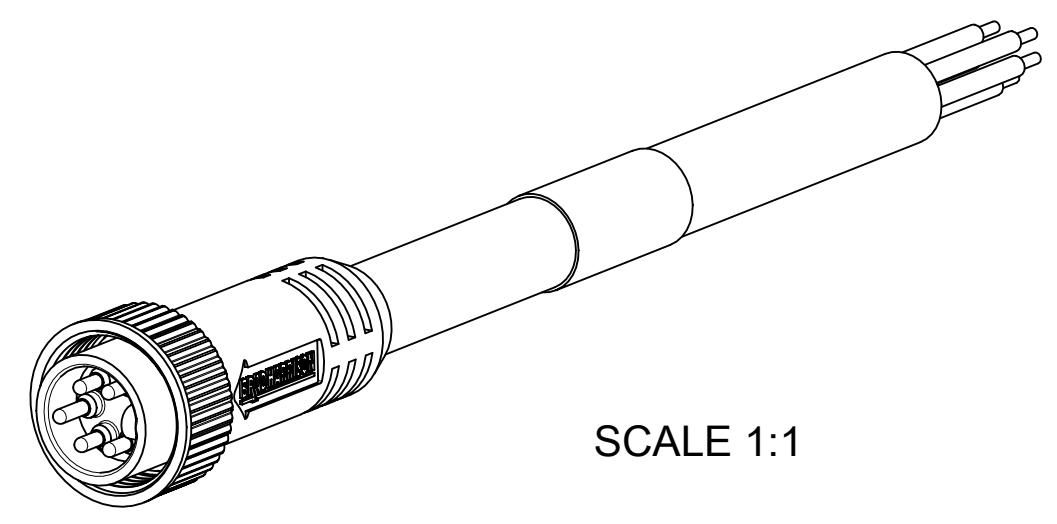


MATERIAL NO.	ENGINEERING NO.	FINISHED LENGTH
1300061435	105002A01F030	3 FT. (0.9 M)
1300061438	105002A01F060	6 FT. (1.82 M)
1300061447	105002A01F120	12 FT. (3.6 M)
1300061453	105002A01F200	20 FT. (6.09 M)

CABLE LENGTH TOLERANCES
 <.3M [1FT]: +19mm-0 [+ .75in-0]
 .3 - .9M [1 - 3FT]: +44.5mm-0 [+1.75in-0]
 .9 - 1.8M [3 - 6FT]: +55.6mm-0 [+2.19in-0]
 1.8 - 3.7M [6 - 12FT]: +88.9mm-0 [+3.50in-0]
 3.7 - 7.3M [12 - 24FT]: +165.1mm-0 [+6.50in-0]
 7.3-14.6M [24 - 48FT]: +317.5mm-0 [+12.50in-0]
 14.6 - 30.5M [48-100FT]: +622.3mm-0 [+24.50in-0]
 OVER 30M [100FT] +2% OF FINISHED LENGTH



- NOTES:
- MATERIAL: AS NOTED
 - FINISH: AS NOTED
 - ELECTRICAL:
 - VOLTAGE: 400V PER IEC60664 (B)
 - 600V PER UL2238
 - CURRENT: 8A
 - TEMP RATING: -20°C TO +105°C (B)
 - PROTECTION: IP67 (WHEN MATED)
 - CSA CERTIFIED FILE: LR6837 (B)
 - UL RECOGNIZED FILE: E152210 (B)
 - ASSEMBLY IS ROHS COMPLIANT
 - ALL DIMS ARE FOR REFERENCE UNLESS TOLERANCED OR NOTED OTHERWISE

WIRING DIAGRAM

P1	
1	WHITE
2	RED
3	GREEN/YELLOW
4	ORANGE
5	BLACK

PART NUMBER MATRIX (B)

105002A01F030

FINISHED LENGTH
 F001= .1 FT
 F020= 2 FT
 F200= 20 FT

7	WRAP LABEL	VINYL	BLACK/YELLOW
6	OVERMOLD	TPE	YELLOW
5	COUPLING NUT	ZINC DIE CAST	BLACK E-COAT
4	FRICTION RING	NYLON	NATURAL
3	PIN CONTACT	Cu ALLOY	GOLD OVER NICKEL
2	MALE INSERT	TPE	YELLOW
1	CABLE, STOOV/ST #16-5	PVC JACKET	YELLOW
ITEM	DESCRIPTION	MATERIAL	FINISH

FUNCTIONAL SYMBOLS	THIS DRAWING CONTAINS INFORMATION THAT IS PROPRIETARY TO MOLEX ELECTRONIC TECHNOLOGIES, LLC AND SHOULD NOT BE USED WITHOUT WRITTEN PERMISSION									
	DIMENSION UNITS		SCALE		CURRENT REV DESC: UPDATED ITEM #1, 2, 6, 7 & TEMP RATING. ADDED CSA, UL, IP RATING, IEC VOLT, TOL. CHART & PART NO. MATRIX. MODIFIED PN CHART					
	INCH/MM		2:1		EC NO: 673727 DRWN: VHANDI 2021/05/24 CHK'D: RSTONE 2021/08/13 APPR: BWOODMAN 2021/08/27 INITIAL REVISION: DRWN: LHARTMANN 2009/06/10 APPR: JFMURPHY 2009/08/17					
	GENERAL TOLERANCES (UNLESS SPECIFIED)									
DIVISIONAL SYMBOLS		MM		INCH		PRODUCT CUSTOMER DRAWING				
4 PLACES ±		±		±		DOCUMENT NUMBER				
3 PLACES ±		± 0.005		± 0.01		SD-130006-005				
2 PLACES ±		± 0.01		± 0.02		DOC TYPE DOC PART REVISION				
1 PLACE ±		± 0.02		±		PSD 001 B				
0 PLACES ±		±		±		MATERIAL NUMBER CUSTOMER				
ANGULAR TOL ± 0.5°		± 0.5°		±		SEE TABLE GENERAL MARKET				
DRAFT WHERE APPLICABLE MUST REMAIN WITHIN DIMENSIONS		THIRD ANGLE PROJECTION		DRAWING		SERIES		SHEET NUMBER		
		C-SIZE		130006		1 OF 1				