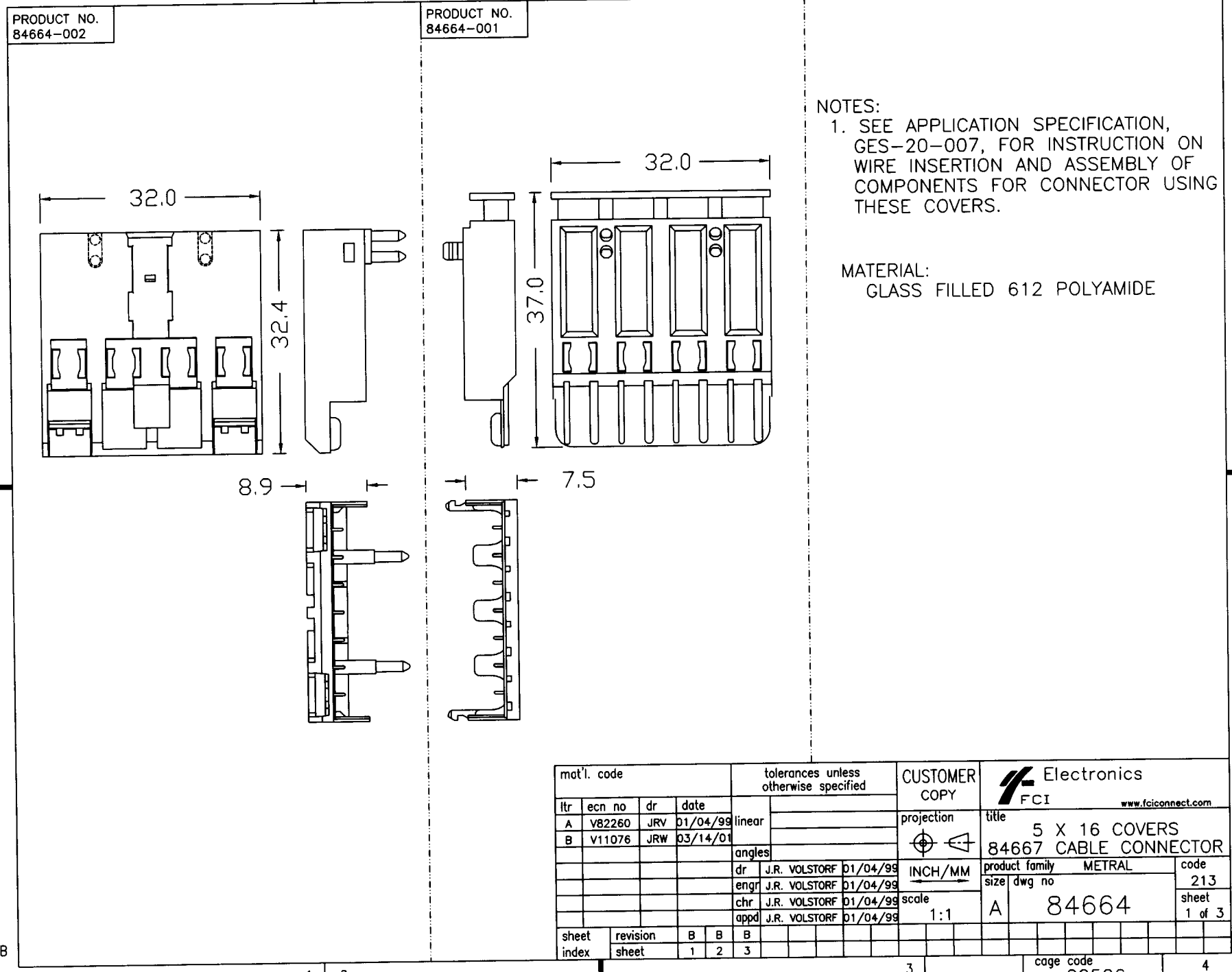


Tous droits strictement réservés. Reproduction ou communication a des tiers interdite sous quelque forme que ce soit sans autorisation écrite du propriétaire. Propriété de FCI. Droits de reproduction FCI.



All rights strictly reserved. Reproduction or issue to third parties in any form whatever is not permitted without written authority from the proprietor. Property of FCI. Copyright FCI.



NOTES:
 1. SEE APPLICATION SPECIFICATION, GES-20-007, FOR INSTRUCTION ON WIRE INSERTION AND ASSEMBLY OF COMPONENTS FOR CONNECTOR USING THESE COVERS.

MATERIAL:
 GLASS FILLED 612 POLYAMIDE

mat'l. code				tolerances unless otherwise specified				CUSTOMER COPY		Electronics www.fciconnect.com		
ltr	ecn no	dr	date	linear		projection		title				
A	V82260	JRV	01/04/99					5 X 16 COVERS				
B	V11076	JRW	03/14/01	angles		INCH/MM		84667 CABLE CONNECTOR				
				dr	J.R. VOLSTORF	D1/04/99	scale		product family METRAL			code
				enr	J.R. VOLSTORF	D1/04/99	1:1		size		213	
				chr	J.R. VOLSTORF	D1/04/99			A		sheet	
				appd	J.R. VOLSTORF	D1/04/99			84664		1 of 3	
sheet	revision		B	B	B							
index	sheet	1	2	3								
								cage code		22526		

ACAD

PDM: Rev:B

STATUS: Released

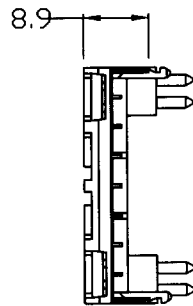
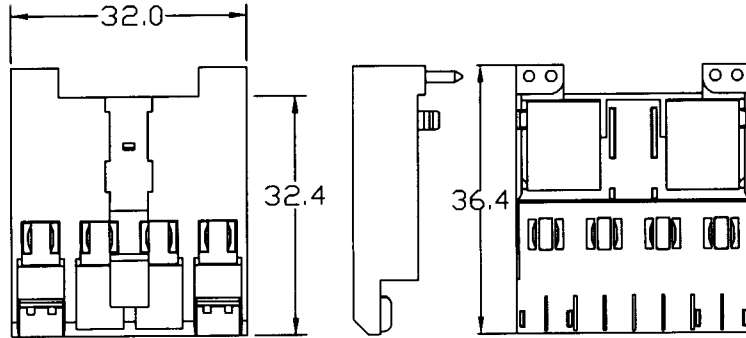
Printed: Feb 04, 2006

Tous droits strictement réservés. Reproduction ou communication à des tiers interdite sous quelque forme que ce soit sans autorisation écrite du propriétaire. Propriété de c FCI Droits de reproduction FCI.



All rights strictly reserved. Reproduction or issue to third parties in any form whatever is not permitted without written authority from the proprietor. Property of FCI. Copyright FCI.

PRODUCT NUMBER
84664-012



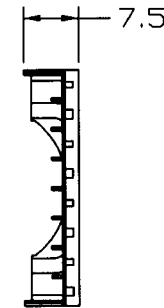
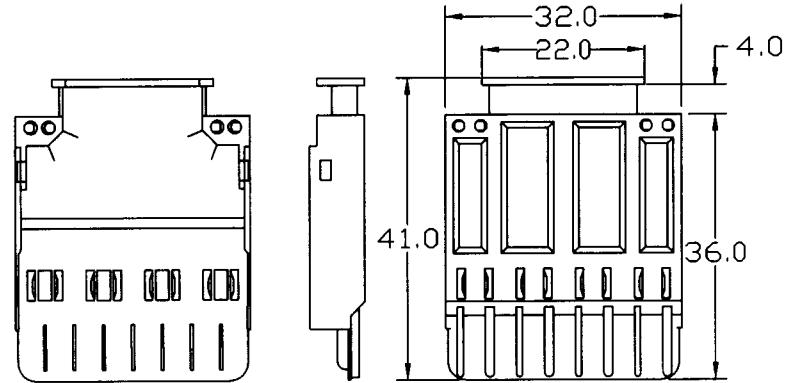
NOTES:

- SEE APPLICATION SPECIFICATION, GES-20-007, FOR INSTRUCTION ON WIRE INSERTION AND ASSEMBLY OF COMPONENTS FOR CONNECTOR USING THESE COVERS.

MATERIAL:

GLASS FILLED 612 POLYAMIDE

PRODUCT NUMBER
84664-011



mat'l. code				tolerances unless otherwise specified				CUSTOMER COPY		Electronics www.fciconnect.com	
ltr	ecn no	dr	date	linear	projection	title		product family		code	
B						angles	5 X 16 COVERS		METRAL		213
				dr	J. WITMER	1/25/01	INCH/MM		size	dwg no	
				enrg	M. PERHACS	1/25/01	scale		A	84664	
				chr	M. PERHACS	1/25/01	1:1		sheet 2 of		
				appd	M. PERHACS	1/25/01					
sheet index	revision sheet										

cage code
22526

ACAD

PDM: Rev:B

STATUS: Released

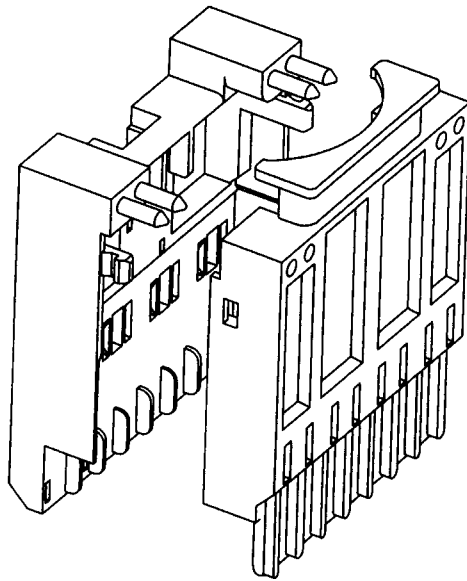
Printed: Feb 04, 2006

Tous droits strictement reserves. Reproduction ou communication a des tiers interdite sous quelque forme que ce soit sans autorisation écrite du propriétaire. Propriete de c FCI. Droits de reproduction FCI.

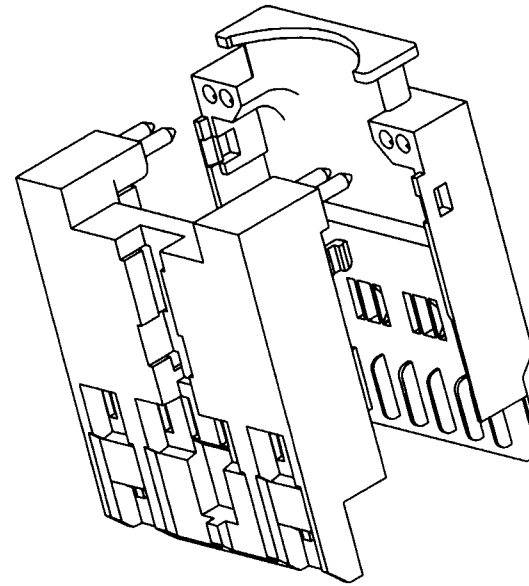


All rights strictly reserved. Reproduction or issue to third parties in any form whatever is not permitted without written authority from the proprietor. Property of FCI Copyright FCI.

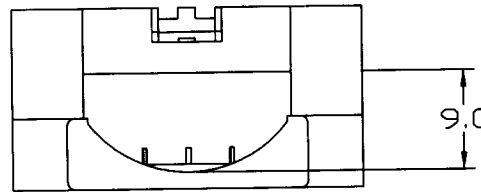
PRODUCT NUMBER
84664-01X



SCALE 3:2



SCALE 3:2



SCALE 3:2

mat'l. code				tolerances unless otherwise specified		CUSTOMER COPY		Electronics www.fciconnect.com	
ltr	ecn no	dr	date	linear	projection	title			
B						5 X 16 COVERS			
				angles		84667 CABLE CONNECTOR			
						INCH/MM		product family	METRAL
		dr	J. WITMER	1/25/01	scale	size		dwg no	sheet
		enr	M. PERHACS	1/25/01		A		84664	3 of
		chr	M. PERHACS	1/25/01		1:1			
		appd	M. PERHACS	1/25/01					
sheet index	revision sheet					cage code		22526	

ACAD

PDM: Rev:B

STATUS: Released

Printed: Feb 04, 2006