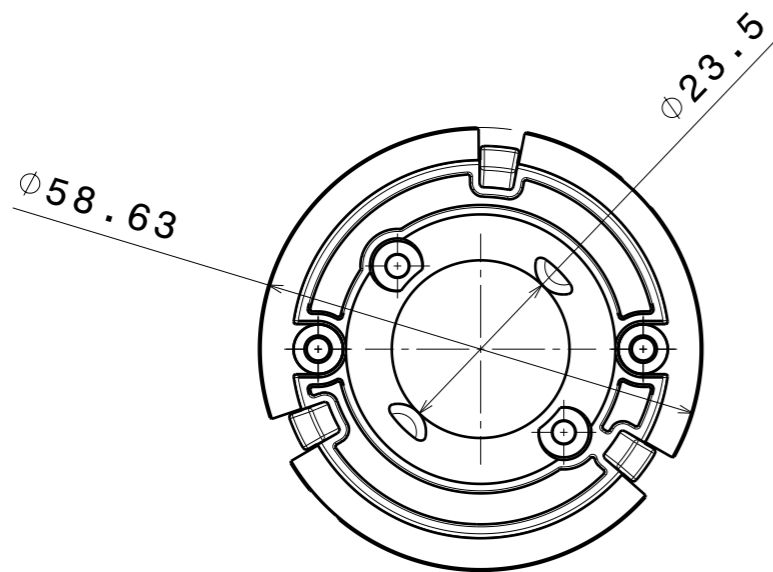
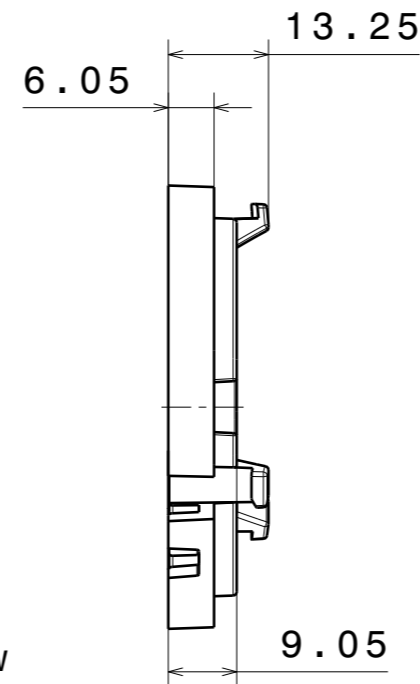


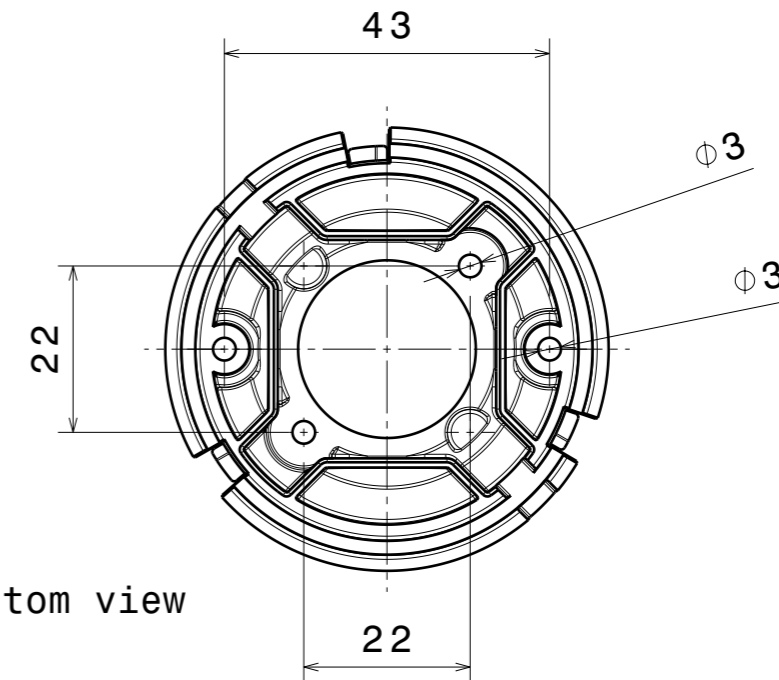
Isometric view
Scale: 1:1



Top view



Side view



Bottom view

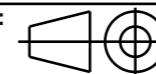
INDEX	PART NO	DESCRIPTION	MATERIAL	COLOUR
1	C12366	LENA_STD_BASE_CL340-BLK	PC	black

Tolerances if not otherwise shown
According to DIN ISO 2768-1
Linear measures:
up to 30mm class M, otherwise class C
According to DIN ISO 2768-2
Form and position: class L



LediL Oy
Salorankatu 10
FIN 24240 SALO
Finland

THIRD ANGLE PROJECTION:



DRAWING TITLE

C12366_LENA-STD-BASE-CL340-BLK

This drawing is the property
of LEDiL Oy. It may not be
reproduced, copied or
communicated without a written
agreement with LEDiL Oy.

SIZE PART NUMBER

A3

C12366

SCALE 1:1 WEIGHT 10,83 g SHEET 1/1