

TSLA. | Side mounting top brackets

Technopolymer

TSLB. | Side mounting top brackets

Technopolymer



MATERIAL

Glass-fibre reinforced polyamide based (PA) technopolymer, black colour, matte finish.

MATERIAL

Glass-fibre reinforced polyamide based (PA) technopolymer, black colour, matte finish.

STANDARD EXECUTIONS

- **TSLA-A**: zinc-plated steel M10 screw, nut and washer.
- **TSLA-SST**: AISI 304 stainless steel M10 screw, nut and washer.

STANDARD EXECUTIONS

- **TSLB-A**: zinc-plated steel M10 screw, nut and washer.
- **TSLB-SST**: AISI 304 stainless steel M10 screw, nut and washer.

FEATURES

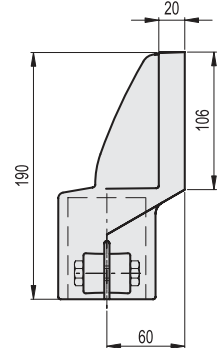
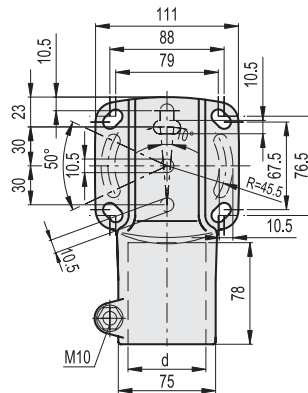
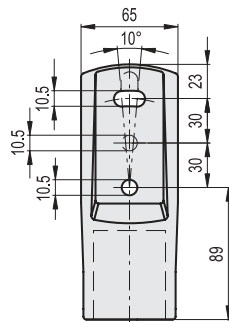
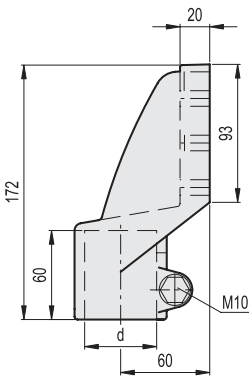
Maximum tightening torque for screw assembly 35 Nm.

FEATURES

Maximum tightening torque for screw assembly 35 Nm.



Conversion Table	
1 mm = 0.039 inch	
d	
mm	inch
42.4	1.67
48.3	1.90
60.3	2.37
45	1.77



TSLA-A

METRIC

Code	Description	d Tube (mm)	d Tube (GAS)	⚖️
419648	TSLA-48-A	48.3	1"1/2	320

TSLB-A

METRIC

Code	Description	d Tube (mm)	d Tube (GAS)	⚖️
419794	TSLB-42-A	42.4	1"1/4	435
419792	TSLB-48-A	48.3	1"1/2	430
419790	TSLB-60-A	60.3	2"	425
419796	TSLB-45x45-A	45	-	430

TSLA-SST

INOX STAINLESS STEEL METRIC

419649	TSLA-48-SST	48.3	1"1/2	320
--------	-------------	------	-------	-----

TSLB-SST

INOX STAINLESS STEEL METRIC

419795	TSLB-42-SST	42.4	1"1/4	435
419793	TSLB-48-SST	48.3	1"1/2	430
419791	TSLB-60-SST	60.3	2"	425
419797	TSLB-45x45-SST	45	-	430

Leveling elements and supports