

MATERIAL NO.	ENGINEERING NO.	FINISHED LENGTH
1300090854	130009-0855-M010	3 FT 3 IN (1M)
1300090857	130009-0855-M040	13 FT 1 IN (4M)
1300090860	130009-0855-M100	32 FT 10 IN (10M)

CABLE LENGTH TOLERANCES

<.3M [1FT]: +19mm-0 [+.75in-0]

.3 - .9M [1 - 3FT]: +44.5mm-0 [+1.75in-0]

.9 - 1.8M [3 - 6FT]: +55.6mm-0 [+2.19in-0]

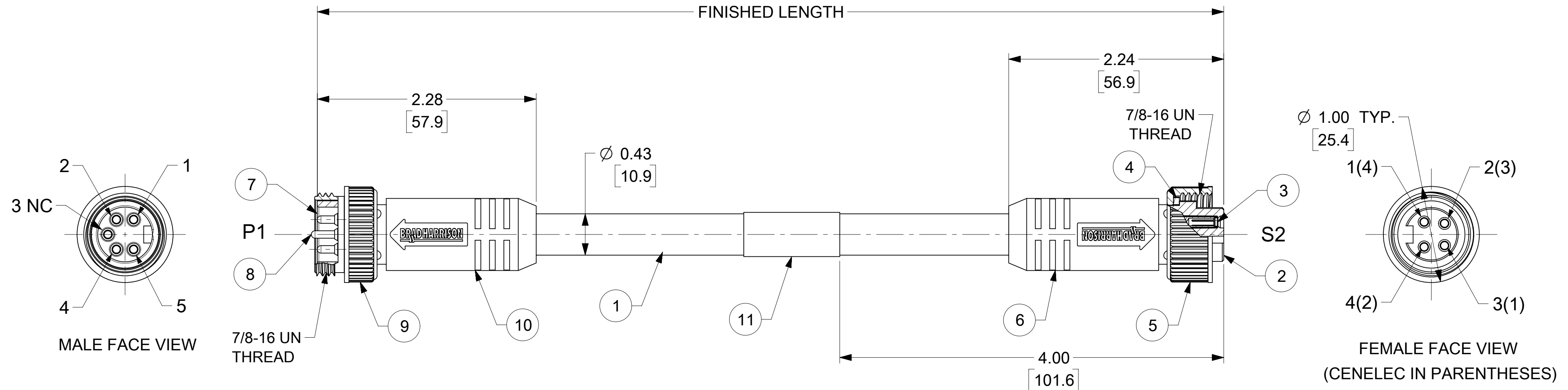
1.8 - 3.7M [6 - 12FT]: +88.9mm-0 [+3.50in-0]

3.7 - 7.3M [12 - 24FT]: +165.1mm-0 [+6.50in-0]

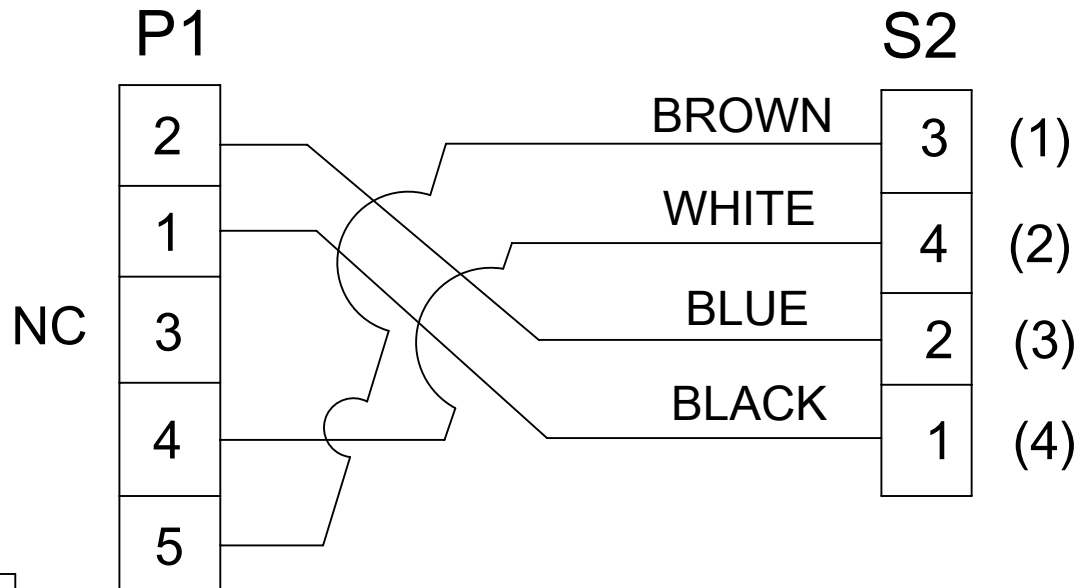
7.3-14.6M [24 - 48FT]: +317.5mm-0 [+12.50in-0]

14.6 - 30.5M [48-100FT]: +622.3mm-0 [+24.50in-0]

OVER 30M [100FT] +2% OF FINISHED LENGTH



- NOTES:**
- MATERIAL: AS NOTED
 - FINISH: AS NOTED
 - ELECTRICAL:
VOLTAGE: 400V PER IEC60664
600V PER UL2238
CURRENT: 8A
 - TEMP RATING: -20°C TO +90°C
 - PROTECTION: IP67 (WHEN MATED)
 - ASSEMBLY IS ROHS COMPLIANT
 - ALL DIMS ARE FOR REFERENCE UNLESS TOLERANCED OR NOTED OTHERWISE



PART NUMBER MATRIX

130009-0855-M010

FINISHED LENGTH
M005 = 0.5 METER
M010 = 1 METERS
M100 = 10 METERS

ITEM	DESCRIPTION	MATERIAL	FINISH
11	WRAP LABEL	VINYL	BLACK/YELLOW
10	OVERMOLD	TPE	YELLOW
9	MALE COUPLING NUT	ZINC DIE-CAST	BLACK E-COAT
8	PIN CONTACT	CU ALLOY	GOLD OVER NICKEL
7	MALE INSERT	TPE	YELLOW
6	OVERMOLD	TPE	YELLOW
5	FEMALE COUPLING NUT	ZINC DIE-CAST	BLACK E-COAT
4	FRICTION RING	NYLON	NATURAL
3	SOCKET CONTACT	Cu ALLOY	GOLD OVER NICKEL
2	FEMALE INSERT	TPE	YELLOW
1	CABLE, #16-4	TPE JACKET	YELLOW

FUNCTIONAL SYMBOLS	THIS DRAWING CONTAINS INFORMATION THAT IS PROPRIETARY TO MOLEX ELECTRONIC TECHNOLOGIES, LLC AND SHOULD NOT BE USED WITHOUT WRITTEN PERMISSION	SCALE		CURRENT REV DESC: UPDATED NOTES, TEMP, CURRENT RATING, ADDED SAE							
	DIMENSION UNITS	INCH/MM	1.3:1								
	GENERAL TOLERANCES (UNLESS SPECIFIED)										
	4 PLACES	±	±								
DIVISIONAL SYMBOLS	3 PLACES	±	±	EC NO: 681109 DRWN: VHANDI 2020/05/21 CHK'D: RSTONE 2021/10/12 APPR: BWOODMAN 2021/10/13							
	2 PLACES	±	±								
	1 PLACE	±	±								
	0 PLACES	±	±								
ANGULAR TOL ± °			INITIAL REVISION:	DOCUMENT NUMBER	DOC TYPE	DOC PART	REVISION				
DRAFT WHERE APPLICABLE MUST REMAIN WITHIN DIMENSIONS			DRWN: AAKHTAR 2017/09/18					SD-130009-018	PSD	001	B
THIRD ANGLE PROJECTION			APPR: BWOODMAN 2017/09/21								
DRAWING		C-SIZE	SERIES	130009	MATERIAL NUMBER	CUSTOMER	SHEET NUMBER				
SEE TABLE		GENERAL MARKET	1 OF 1								