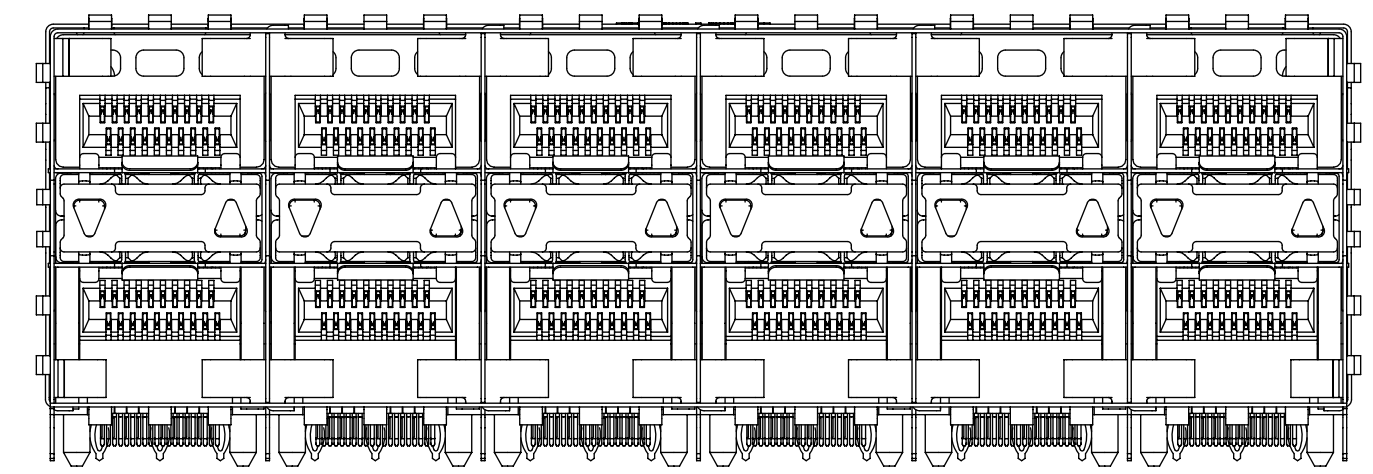
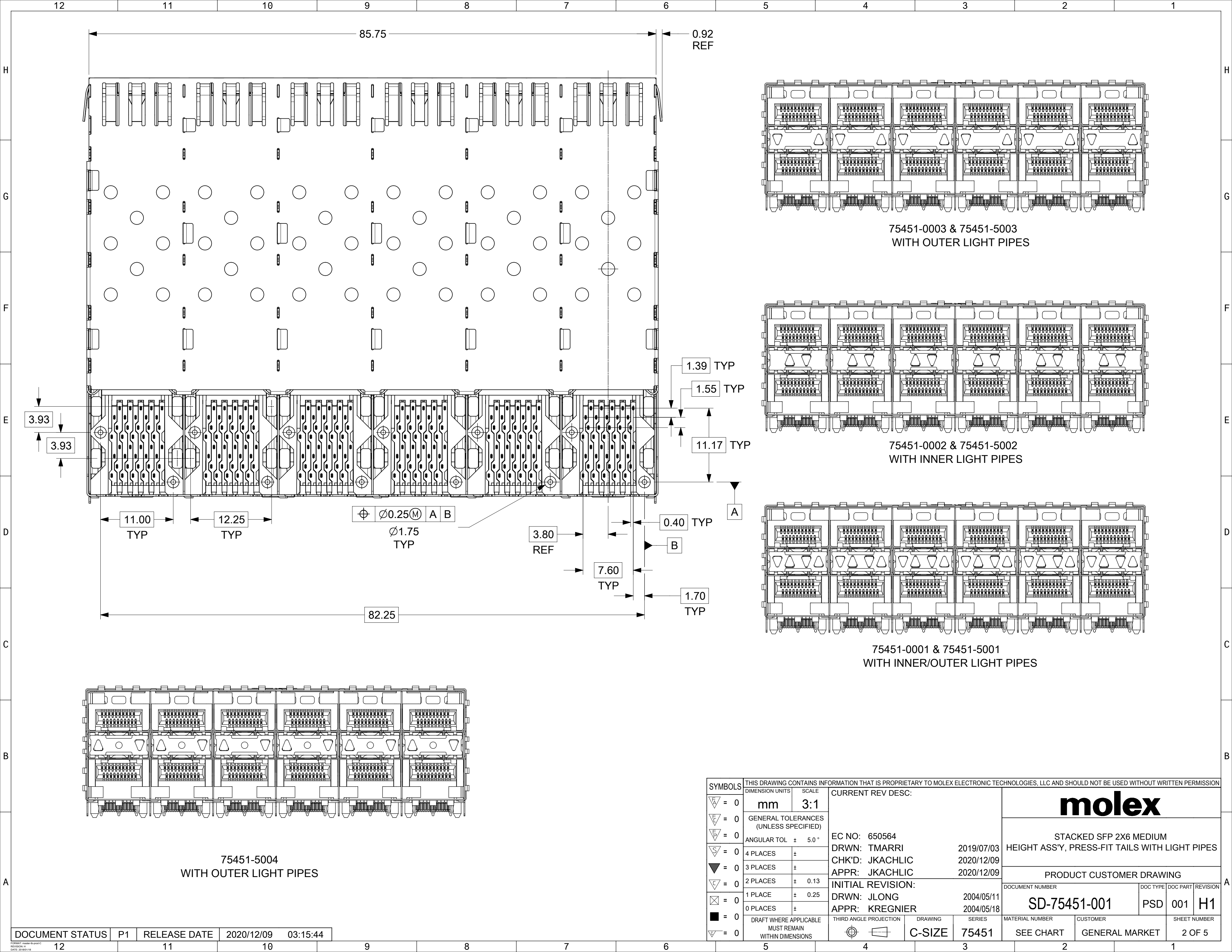


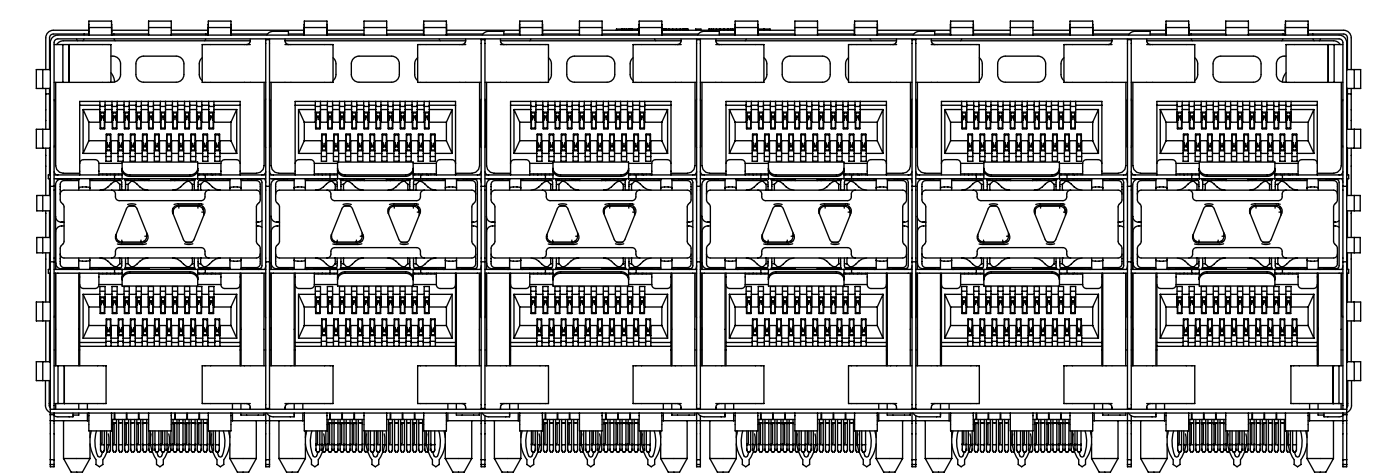
- NOTES:
- MATERIAL:  
 CAGE: NICKEL SILVER, THICKNESS: 0.25mm  
 CONNECTOR HOUSING: GLASS FILLED HIGH TEMP PLASTIC, 94 V-0  
 COLOR: BLACK  
 OVERMOLDED TERMINAL HOUSING: GLASS FILLED HIGH TEMP PLASTIC, 94 V-0, COLOR: BLACK  
 TERMINALS: TIN BRASS  
 LIGHT PIPES: POLYCARBONITE, 94 V-0, COLOR: CLEAR  
 LIGHT PIPE HOUSING: ZINC
  - FINISH:  
 LIGHT PIPE HOUSING: 150 MICROMETERS NICKEL OVER 150 MICROMETERS COPPER  
 TERMINALS: CONTACT AREA: 0.76 MICROMETERS MINIMUM HARD GOLD OVER 1.27 MICROMETERS MINIMUM NICKEL  
 COMPLIANT AREA - MATTE TIN/LEAD OPTION: 0.76 - 1.52 MICROMETERS 90/10 MATTE TIN/LEAD OVER 0.76 - 1.52 MICROMETERS NICKEL.  
 COMPLIANT AREA - MATTE TIN OPTION: 0.76 - 1.52 MICROMETERS MATTE TIN OVER 0.76 - 1.52 MICROMETERS NICKEL.
  - REFER TO PS-75310-001 PRODUCT SPEC FOR ALL ELECTRICAL, MECHANICAL AND ENVIRONMENTAL SPECIFICATIONS.
  - LIGHT PIPE PAD LAYOUT IS FOR LOW-PROFILE LED PACKAGE, FOR OTHER RECOMMENDED LAYOUTS REFER TO MOLEX'S REPORT TS-75310-001.
  - REFER TO PK-75451-001 FOR ALL PACKAGING SPECIFICATIONS.
  - PART COMPLIES WITH COSMETIC SPECIFICATION PS-45499-002. SEE SHEET 4 SECTION Z-Z FOR SURFACE CLASSIFICATIONS. UNDERSIDE OF CAGE COMPLIES WITH CLASS "C".
  - REFER TO AS-76090-001 FOR HIGH SPEED ROUTING RECOMMENDATIONS.
  - DATE CODE LOCATION IS SHOWN ABOVE.  
 DATE CODE FORMAT: DDDY MX A1  
 DDD = DAY OF THE YEAR  
 Y = YEAR  
 MX = MOLEX  
 A = ALPHA CHARACTER - INDICATES MANUFACTURING LINE  
 1 = NUMERIC CHARACTER - INDICATES PRODUCTION SHIFT

PART NUMBER	PART TYPE (SEE VIEWS ON SHEET 2)	COMPLIANT TAIL PLATING
75451-0001	4 PORT LIGHT PIPE	MATTE TIN LEAD
75451-0002	INNER 2 PORTS	MATTE TIN LEAD
75451-0003	OUTER 2 PORTS	MATTE TIN LEAD
75451-5001	4 PORT LIGHT PIPE	MATTE TIN
75451-5002	INNER 2 PORTS	MATTE TIN
75451-5003	OUTER 2 PORTS	MATTE TIN
75451-5004	OUTER 2 PORTS - SPECIAL CONFIG	MATTE TIN

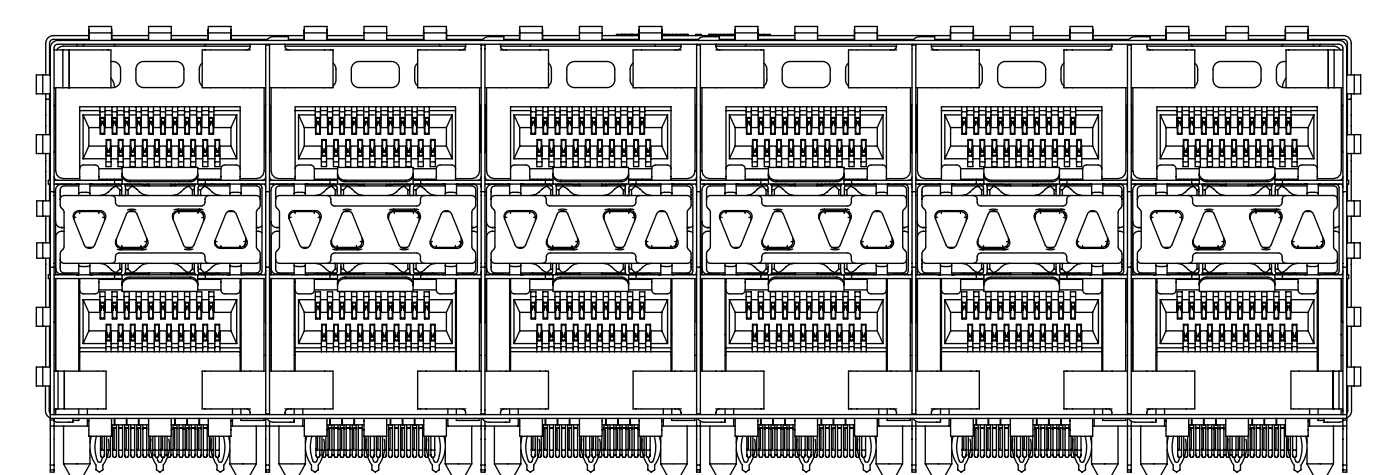
THIS DRAWING CONTAINS INFORMATION THAT IS PROPRIETARY TO MOLEX ELECTRONIC TECHNOLOGIES, LLC AND SHOULD NOT BE USED WITHOUT WRITTEN PERMISSION										
SYMBOLS	DIMENSION UNITS	SCALE	CURRENT REV DESC:							
▽ = 0	mm	3:1	EC NO: 650564							
▽ = 0	GENERAL TOLERANCES (UNLESS SPECIFIED)		DRWN: TMARRI 2019/07/03							
▽ = 0	ANGULAR TOL ± 5.0°		CHK'D: JKACHLIC 2020/12/09							
▽ = 0	4 PLACES ±		APPR: JKACHLIC 2020/12/09							
▽ = 0	3 PLACES ±		INITIAL REVISION:							
▽ = 0	2 PLACES ± 0.13		DRWN: JLONG 2004/05/11							
▽ = 0	1 PLACE ± 0.25		APPR: KREGNIER 2004/05/18							
▽ = 0	0 PLACES ±		THIRD ANGLE PROJECTION	DRAWING	SERIES	DOCUMENT NUMBER				
▽ = 0	DRAFT WHERE APPLICABLE MUST REMAIN WITHIN DIMENSIONS		THIRD ANGLE PROJECTION	C-SIZE	75451	SD-75451-001		DOC TYPE	DOC PART	REVISION
						SEE CHART	GENERAL MARKET	PSD	001	H1
						MATERIAL NUMBER		CUSTOMER		SHEET NUMBER
						SEE CHART		GENERAL MARKET		1 OF 5



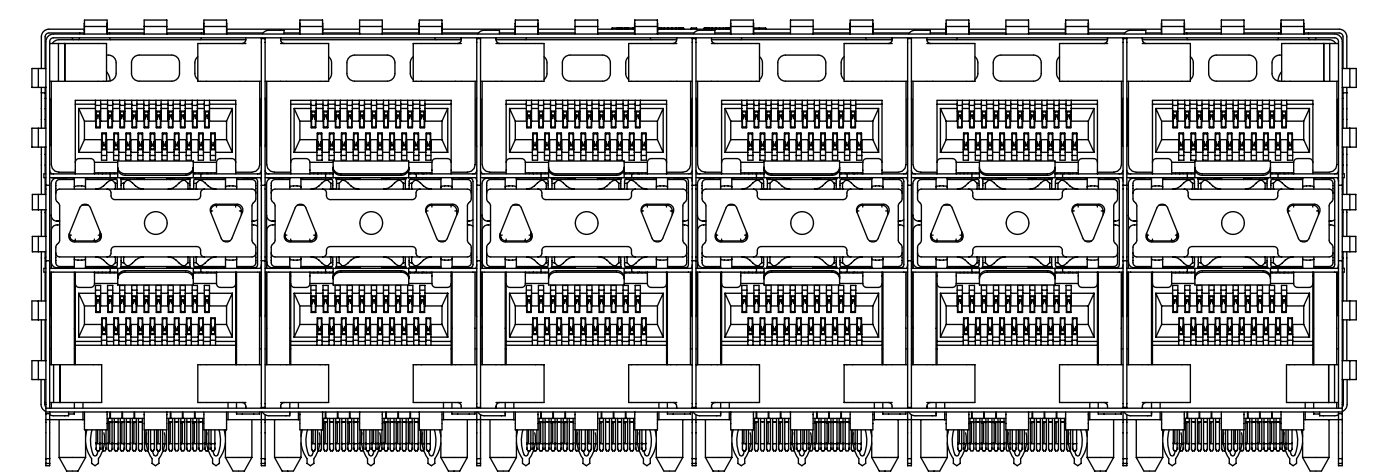
75451-0003 & 75451-5003  
WITH OUTER LIGHT PIPES



75451-0002 & 75451-5002  
WITH INNER LIGHT PIPES

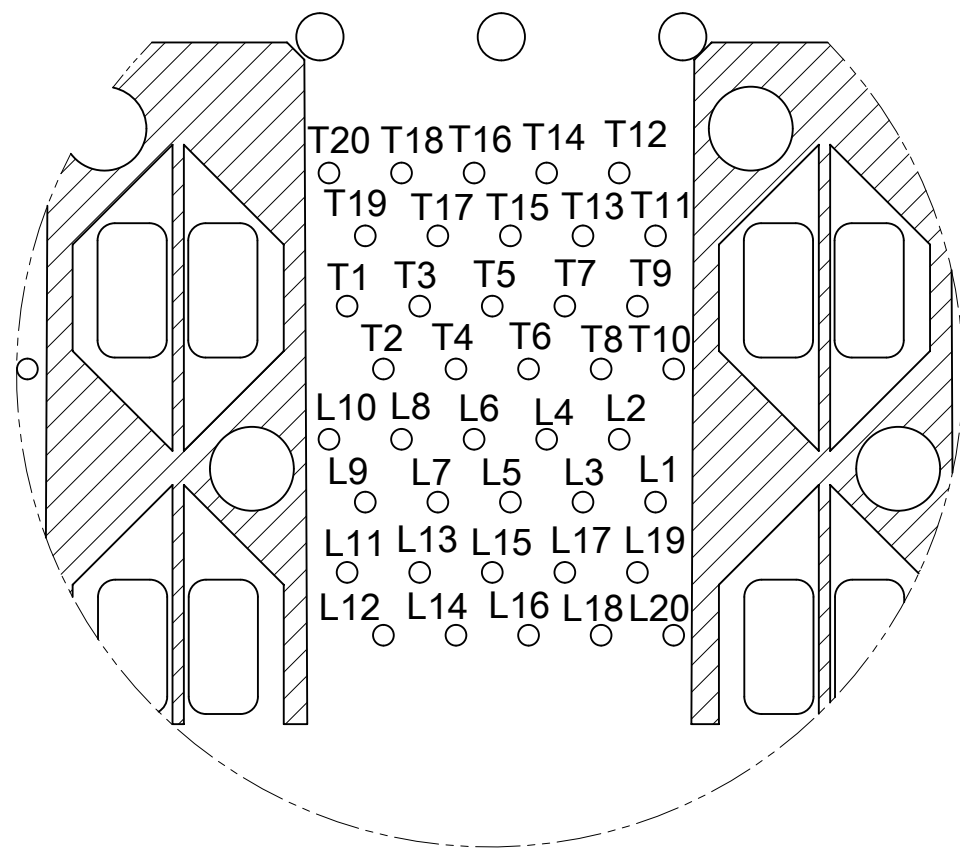


75451-0001 & 75451-5001  
WITH INNER/OUTER LIGHT PIPES

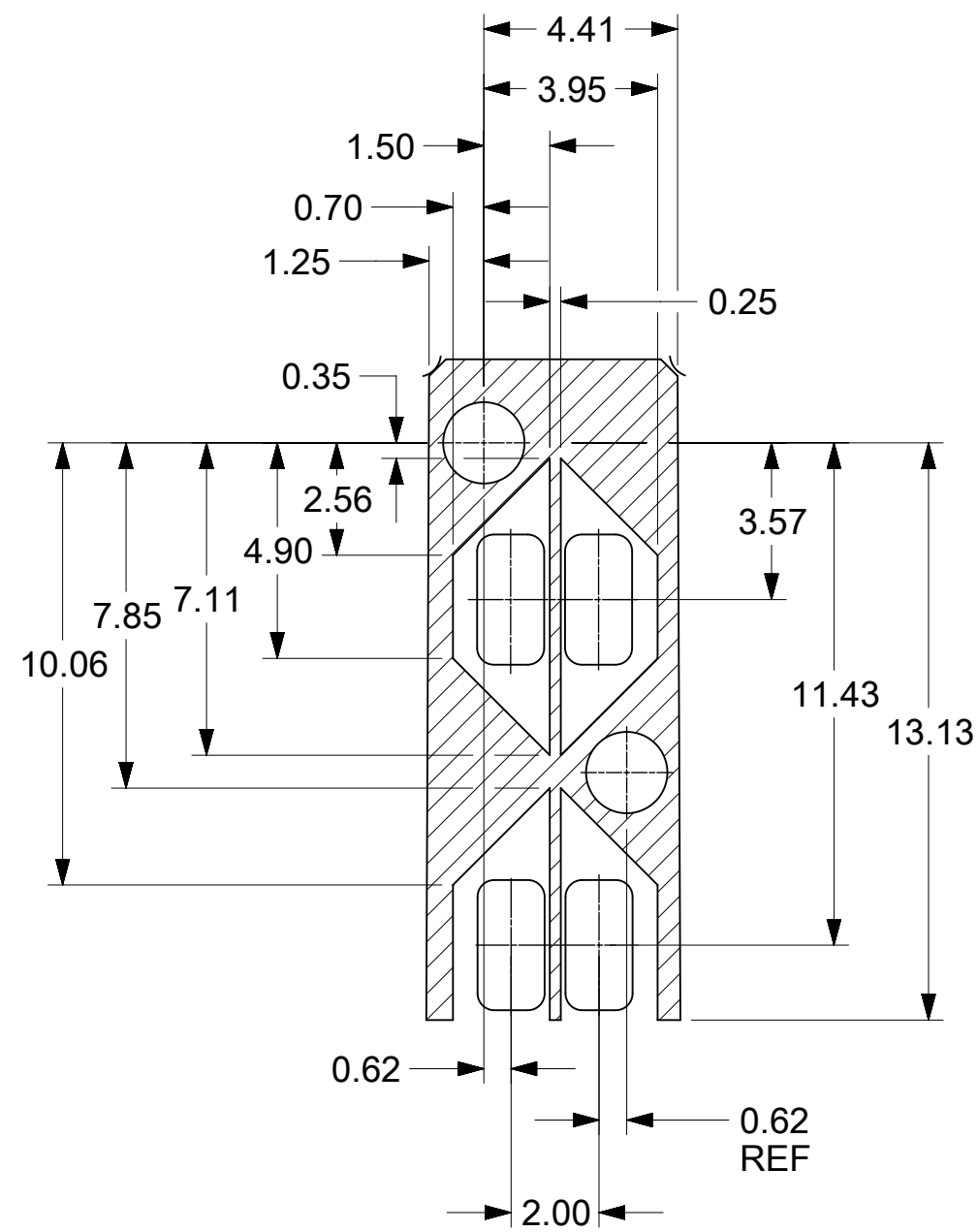


75451-5004  
WITH OUTER LIGHT PIPES

<b>SYMBOLS</b> = 0 = 0 = 0 = 0 = 0 = 0 = 0 = 0 = 0	THIS DRAWING CONTAINS INFORMATION THAT IS PROPRIETARY TO MOLEX ELECTRONIC TECHNOLOGIES, LLC AND SHOULD NOT BE USED WITHOUT WRITTEN PERMISSION		<b>CURRENT REV DESC:</b>  EC NO: 650564 DRWN: TMARRI 2019/07/03 CHK'D: JKACHLIC 2020/12/09 APPR: JKACHLIC 2020/12/09		  STACKED SFP 2X6 MEDIUM HEIGHT ASS'Y, PRESS-FIT TAILS WITH LIGHT PIPES				
	DIMENSION UNITS: <b>mm</b> SCALE: <b>3:1</b>	GENERAL TOLERANCES (UNLESS SPECIFIED) ANGULAR TOL ± 5.0°						INITIAL REVISION: DRWN: JLONG 2004/05/11 APPR: KREGNIER 2004/05/18	
	4 PLACES ± 3 PLACES ± 2 PLACES ± 0.13 1 PLACE ± 0.25 0 PLACES ±	DRAFT WHERE APPLICABLE MUST REMAIN WITHIN DIMENSIONS		THIRD ANGLE PROJECTION 	DRAWING <b>C-SIZE</b>	SERIES <b>75451</b>	MATERIAL NUMBER SEE CHART	CUSTOMER GENERAL MARKET	SHEET NUMBER 2 OF 5
	DOCUMENT STATUS: <b>P1</b> RELEASE DATE: <b>2020/12/09 03:15:44</b>								

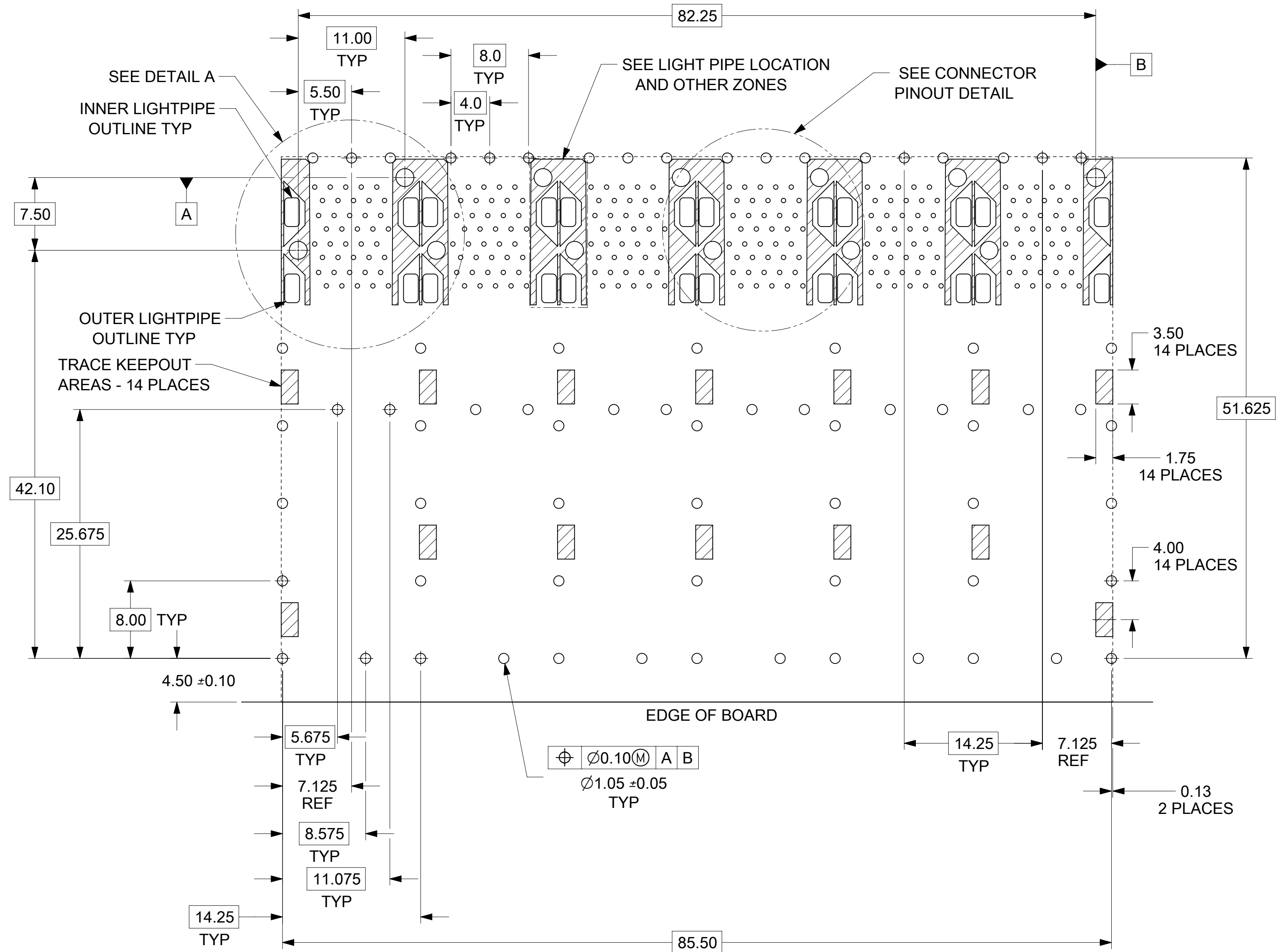


CONNECTOR PIN-OUT DETAIL  
 COMPONENT SIDE OF BOARD



DETAIL LIGHT PIPE LOCATION AND OTHER ZONES  
 SCALE 6:1

THE HATCHED AREA IN THIS VIEW INDICATES ZONES THAT ARE OCCUPIED BY THE PLASTIC HOUSING THAT SEATS AGAINST THE PCB AND BY THE VERTICAL METAL CAGE WALL THAT STOPS JUST SHORT OF THE PCB



RECOMMENDED PCB LAYOUT - COMPONENT SIDE  
 RECOMMENDED PCB THICKNESS - 2.36 MM (.093 INCH)

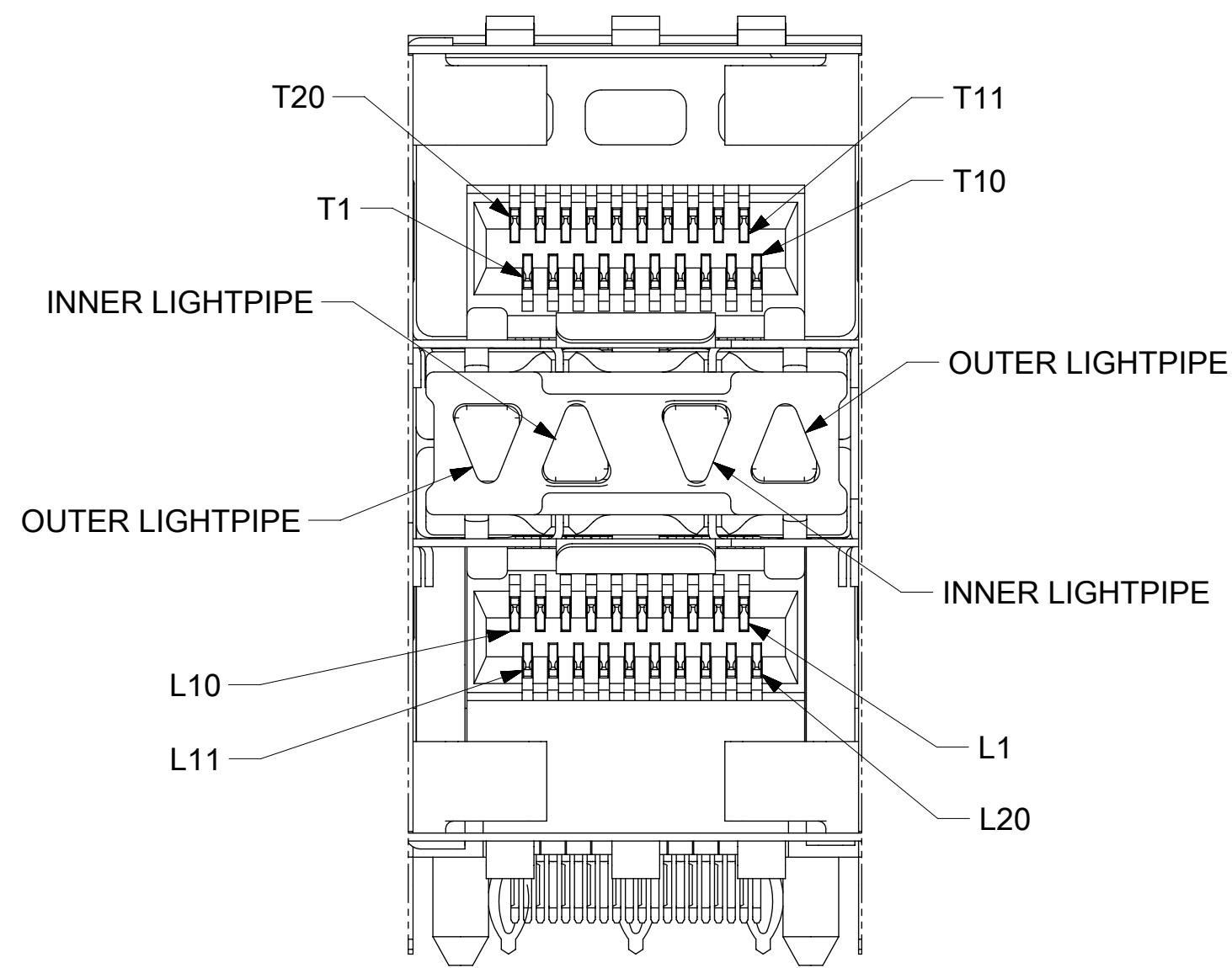
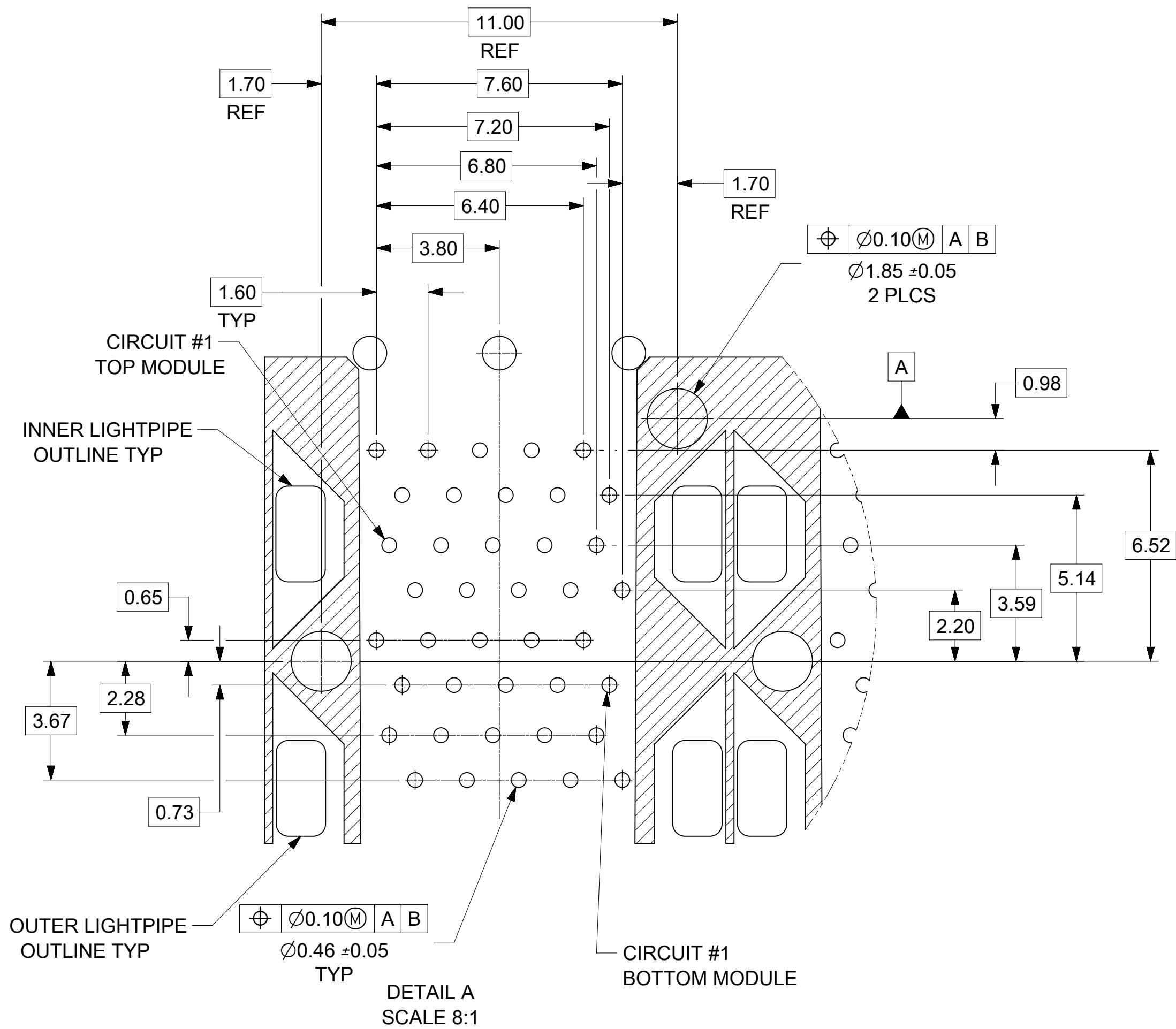
THE ENTIRE AREA OF THE CONNECTOR FOOTPRINT TO BE CONSIDERED THE KEEP OUT AREA FOR COMPONENTS (OTHER THAN LIGHT PIPE LED'S). THIS AREA IS INDICATED BY THE DASHED LINE

SYMBOLS		THIS DRAWING CONTAINS INFORMATION THAT IS PROPRIETARY TO MOLEX ELECTRONIC TECHNOLOGIES, LLC AND SHOULD NOT BE USED WITHOUT WRITTEN PERMISSION	
DIMENSION UNITS	SCALE	CURRENT REV DESC:	
mm	3:1		
GENERAL TOLERANCES (UNLESS SPECIFIED)			
ANGULAR TOL	± 5.0°		
4 PLACES	±	EC NO: 650564	2019/07/03
3 PLACES	±	DRWN: TMARRI	2020/12/09
2 PLACES	± 0.13	CHK'D: JKACHLIC	2020/12/09
1 PLACE	± 0.25	APPR: JKACHLIC	2020/12/09
0 PLACES	±	INITIAL REVISION:	
DRAFT WHERE APPLICABLE MUST REMAIN WITHIN DIMENSIONS		DRWN: JLONG	2004/05/11
		APPR: KREGNIER	2004/05/18
THIRD ANGLE PROJECTION		DRAWING	SERIES
C-SIZE		75451	
DOCUMENT NUMBER		CUSTOMER	SHEET NUMBER
SD-75451-001		GENERAL MARKET	3 OF 5

**molex**

STACKED SFP 2X6 MEDIUM  
 HEIGHT ASSY, PRESS-FIT TAILS WITH LIGHT PIPES

PRODUCT CUSTOMER DRAWING



DETAIL B  
SCALE 5:1  
CIRCUIT NUMBERING  
AND LIGHTPIPE  
IDENTIFICATION

SYMBOLS		THIS DRAWING CONTAINS INFORMATION THAT IS PROPRIETARY TO MOLEX ELECTRONIC TECHNOLOGIES, LLC AND SHOULD NOT BE USED WITHOUT WRITTEN PERMISSION	
DIMENSION UNITS	SCALE	CURRENT REV DESC:	
$\nabla = 0$	mm	3:1	
$\nabla = 0$	GENERAL TOLERANCES (UNLESS SPECIFIED)		
$\nabla = 0$	ANGULAR TOL $\pm 5.0^\circ$		
$\nabla = 0$	4 PLACES	$\pm$	
$\nabla = 0$	3 PLACES	$\pm$	
$\nabla = 0$	2 PLACES	$\pm 0.13$	
$\nabla = 0$	1 PLACE	$\pm 0.25$	
$\nabla = 0$	0 PLACES	$\pm$	
$\nabla = 0$	DRAFT WHERE APPLICABLE MUST REMAIN WITHIN DIMENSIONS		
$\nabla = 0$	THIRD ANGLE PROJECTION	DRAWING	SERIES
$\nabla = 0$		C-SIZE	75451
EC NO: 650564		DRWN: TMARRI	2019/07/03
CHK'D: JKACHLIC		APPR: JKACHLIC	2020/12/09
INITIAL REVISION:		DRWN: JLONG	2004/05/11
		APPR: KREGNIER	2004/05/18
DOCUMENT NUMBER		DOC TYPE	DOC PART
SD-75451-001		PSD	001
MATERIAL NUMBER		CUSTOMER	SHEET NUMBER
SEE CHART		GENERAL MARKET	4 OF 5

**molex**

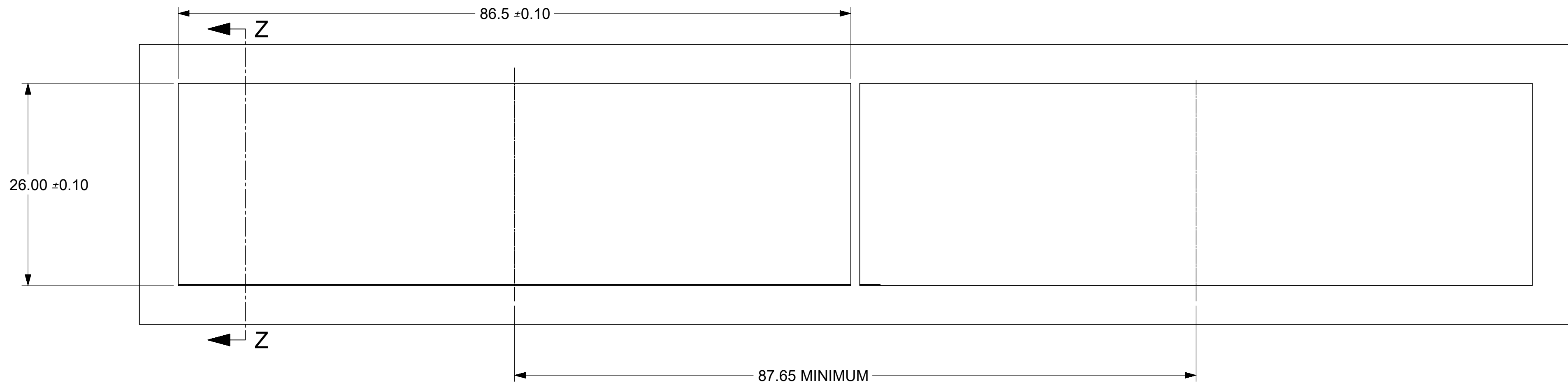
STACKED SFP 2X6 MEDIUM  
HEIGHT ASS'Y, PRESS-FIT TAILS WITH LIGHT PIPES

PRODUCT CUSTOMER DRAWING

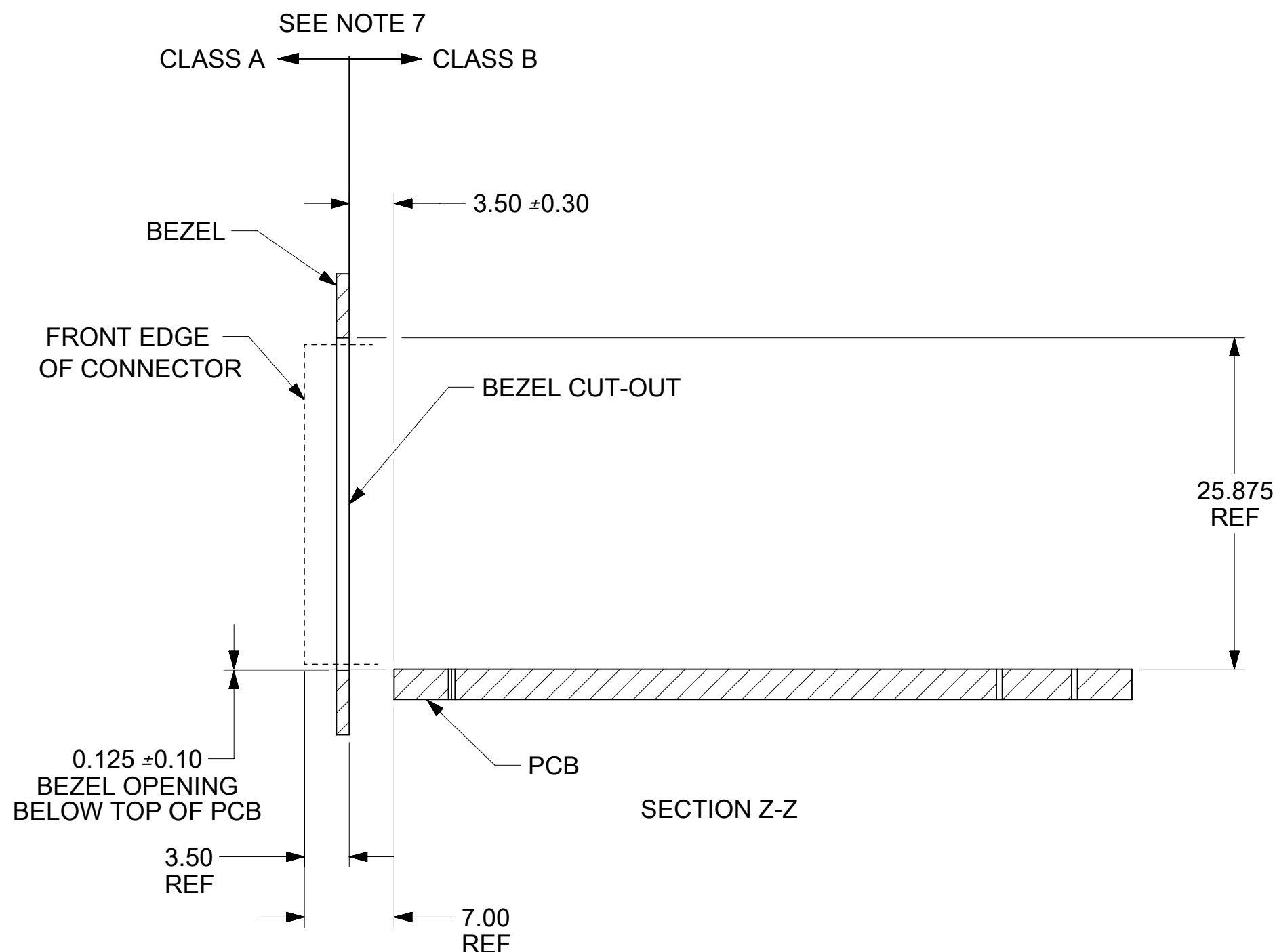
SD-75451-001

PSD 001 H1

SEE CHART GENERAL MARKET 4 OF 5



BEZEL CUT-OUT CENTER DETAIL  
BEZEL THICKNESS 0.8 - 2.6



THIS DRAWING CONTAINS INFORMATION THAT IS PROPRIETARY TO MOLEX ELECTRONIC TECHNOLOGIES, LLC AND SHOULD NOT BE USED WITHOUT WRITTEN PERMISSION																
SYMBOLS		DIMENSION UNITS	SCALE	CURRENT REV DESC:			molex									
▽ = 0	mm	2.5:1	EC NO: 650564 DRWN: TMARRI 2019/07/03 CHK'D: JKACHLIC 2020/12/09 APPR: JKACHLIC 2020/12/09			STACKED SFP 2X6 MEDIUM HEIGHT ASS'Y, PRESS-FIT TAILS WITH LIGHT PIPES										
▽ / = 0	GENERAL TOLERANCES (UNLESS SPECIFIED)									INITIAL REVISION:			PRODUCT CUSTOMER DRAWING			
▽ = 0	ANGULAR TOL ± 5.0°									DRWN: JLONG 2004/05/11			DOCUMENT NUMBER			
▽ / = 0	4 PLACES ±		APPR: KREGNIER 2004/05/18			SD-75451-001										
▽ = 0	3 PLACES ±		THIRD ANGLE PROJECTION			DOC TYPE DOC PART REVISION										
▽ = 0	2 PLACES ± 0.13		DRAWING			PSD 001 H1										
▽ = 0	1 PLACE ± 0.25		SERIES			MATERIAL NUMBER CUSTOMER SHEET NUMBER										
⊠ = 0	0 PLACES ±		C-SIZE			SEE CHART GENERAL MARKET 5 OF 5										
■ = 0	DRAFT WHERE APPLICABLE MUST REMAIN WITHIN DIMENSIONS															