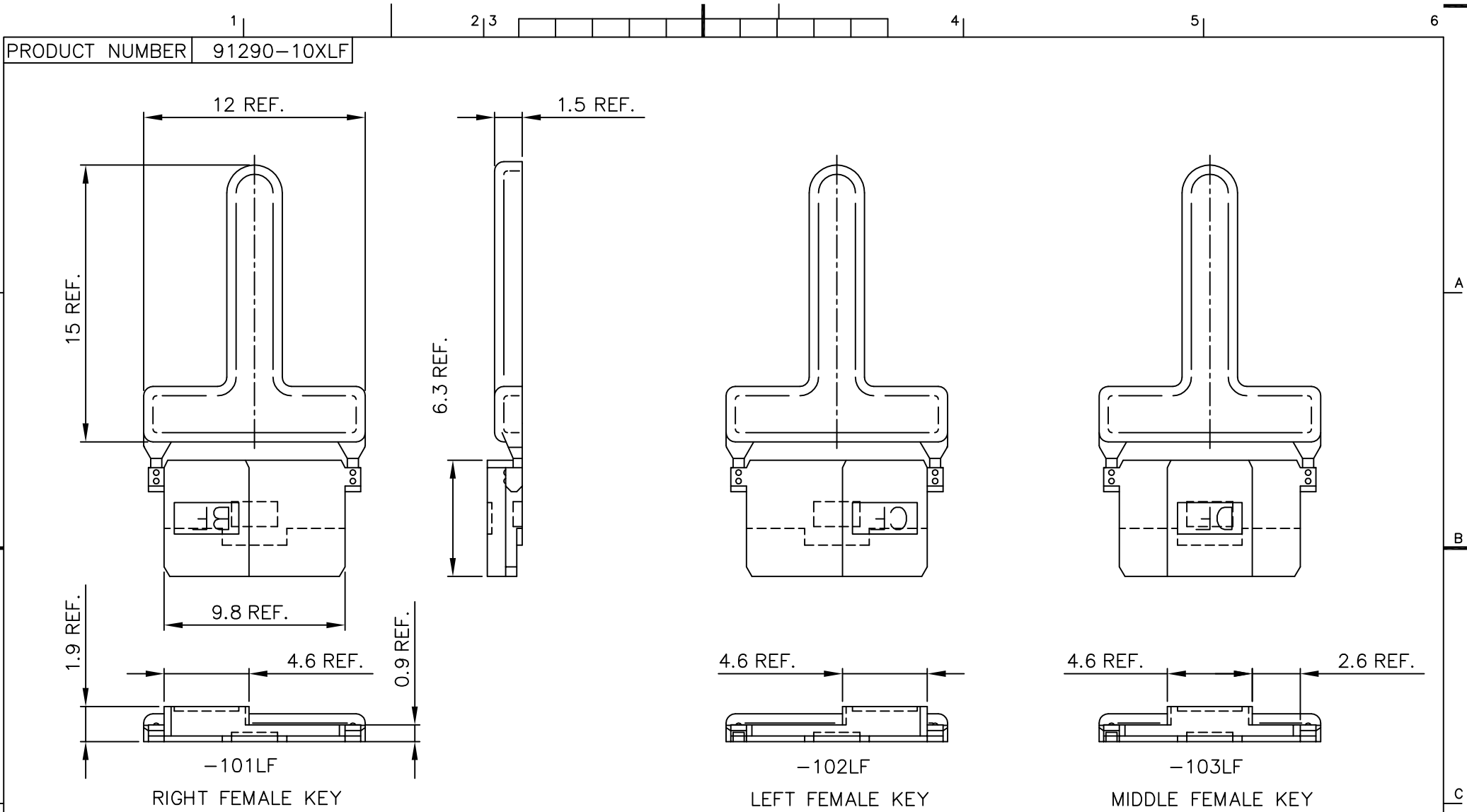


Tous droits strictement réservés. Reproduction ou communication sans autorisation écrite du propriétaire. Propriété de FCI b.v. © FCI b.v.

Reproduction or issue to third parties in any form, without written authority from the proprietor. Property of FCI b.v. © FCI b.v.



NOTES:

- MATERIAL: LIQUID CRYSTAL POLYMER. FLAMERETARDANT ACC. UL 94-V0. 30% GLASS FILLED, COLOR: SEE TABLE.
- THIS PRODUCT WITH "LF" SUFFIX MEETS EUROPEAN UNION DIRECTIVES AND OTHER COUNTRY REGULATIONS AS DESCRIBED IN GS -22-008.
- THE PRODUCT IS NOT INTENDED TO BE EXPOSED TO A MANUFACTURING SOLDER PROCESS.

PRODUCT NUMBER	COLOR
91290-101LF	BLUE
91290-102LF	PINK
91290-103LF	BROWN

mat'l. code SEE NOTE 1		tolerances unless otherwise specified		CUSTOMER COPY	 ELECTRONICS www.fciconnect.com
ltr	ecn no dr date			projection	
A	V41309 RDO 940729	linear			title FEMALE HALF KEYS
B	H40388 RV 940810				
C	H40583 DDB 940916	angles		mm 	product family CENTRAL (tm)
D	bg05-0372 CLU 051006	dr	D. de Bil 940609		
		engr	E. Feijen 940729	scale	size dwg no
		chr	G.S. Lee 940609	5:1	A3 91290
		appd	G.S. Lee 940609		code 213
sheet index	revision sheet	D			sheet 1 of 1