



Jauch Battery Solutions

- Reliable energy for your application
- Standard cells and customized packs
- ESD protection
- Battery Certification Experts



RoHS compliant Pb free



REACH compliant



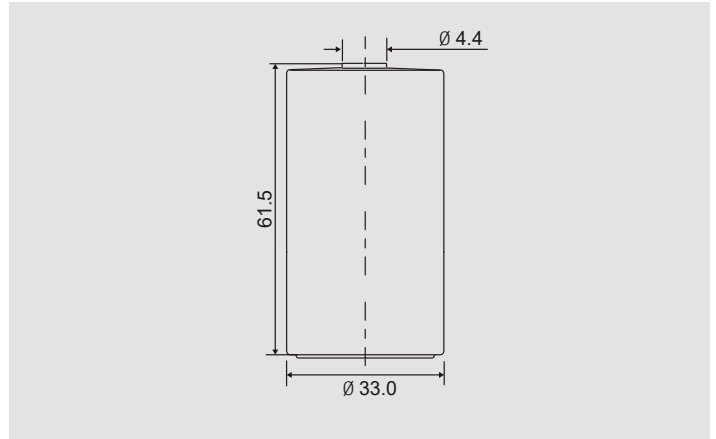
Conflict mineral free

Technical Data Sheet · ER34615J-S

SPECIFICATIONS

| | |
|-------------------------|----------------------|
| Cell Size reference | D |
| Chemistry | Li-SoCl ₂ |
| UL 1642 | MH62838 |
| Nominal Voltage | 3.6V |
| Jauch No. | 247662 |
| Nominal Capacity | 19.0 Ah |
| Max. Continuous Current | 230 mA |
| Max. Pulse Current | up to 300 mA |
| Operating Temperature | -55 °C to +85 °C* |
| Storage | 30 °C max |
| Weight | Approx. 100 gr. |

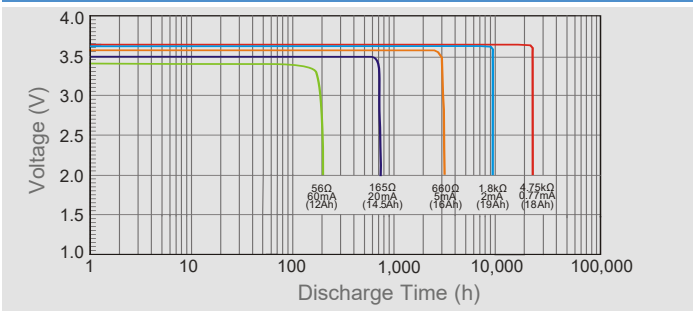
DIMENSIONS (mm)



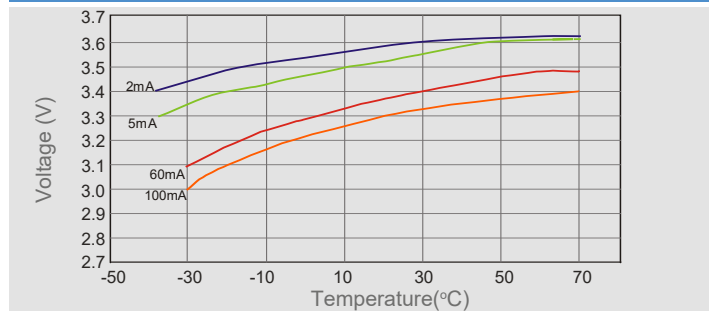
* In applications where the battery is exposed to temperatures >85°C, please contact Jauch.

Available Terminals and Wire Connectors: please contact Jauch for diagram of batteries with terminals (batterytechnology@jauch.com).

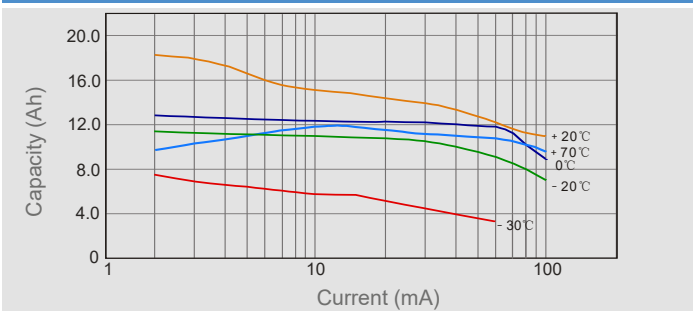
DISCHARGE CHARACTERISTICS



VOLTAGE VS. TEMPERATURE



CAPACITY VS. CURRENT



STORAGE CHARACTERISTICS

