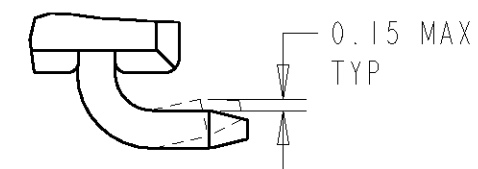
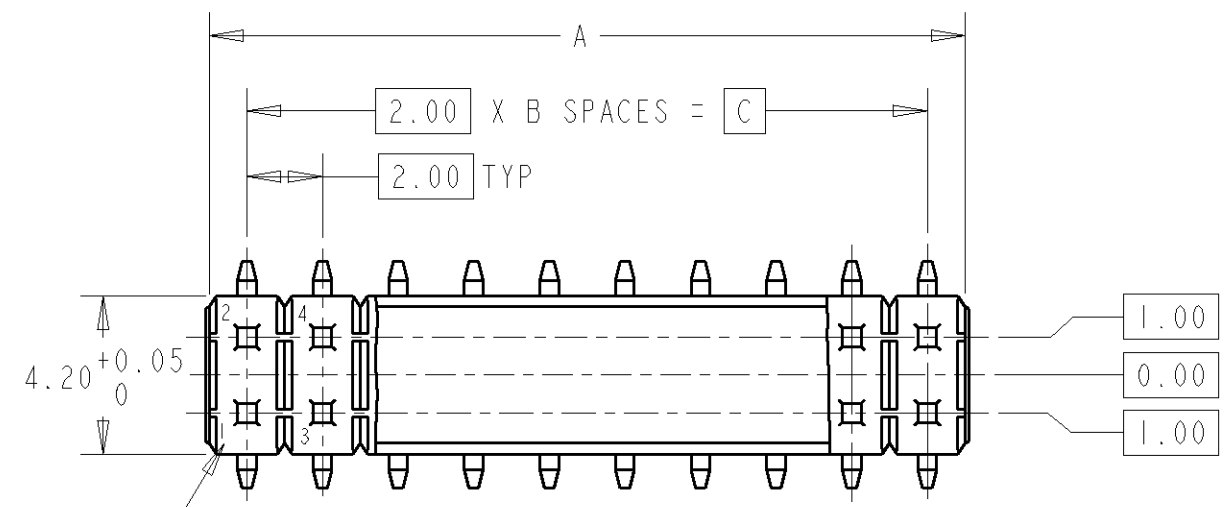


THIS DRAWING IS UNPUBLISHED. RELEASED FOR PUBLICATION .19  
 © COPYRIGHT 19 BY AMP INCORPORATED. ALL RIGHTS RESERVED.

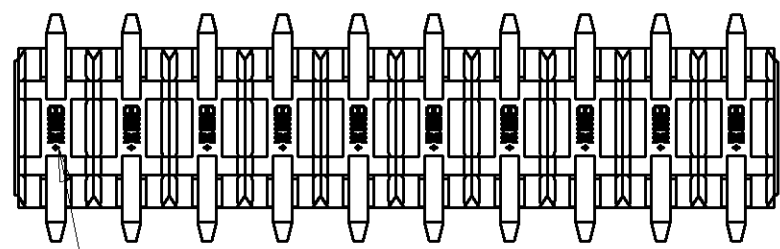
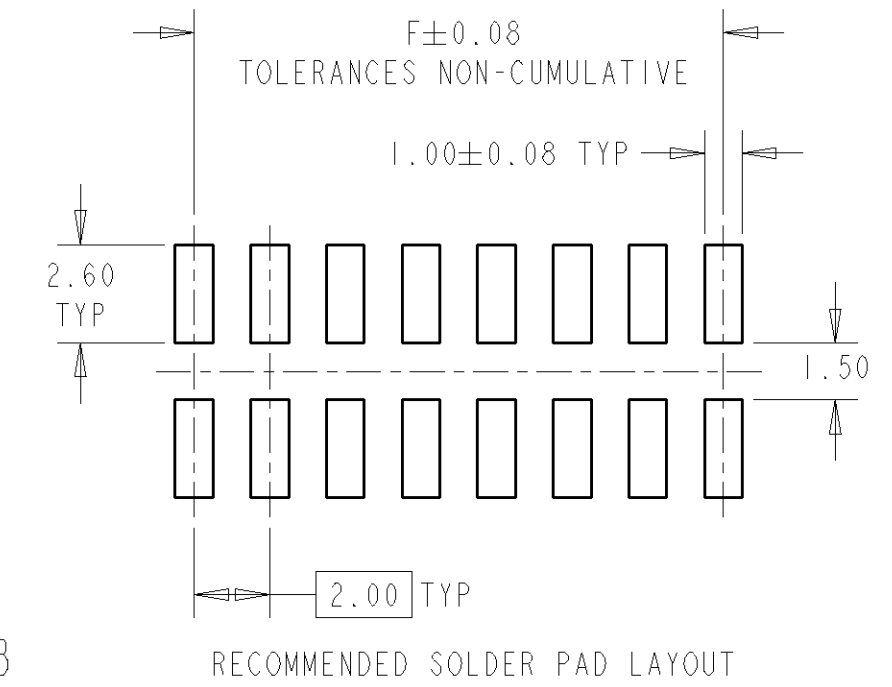
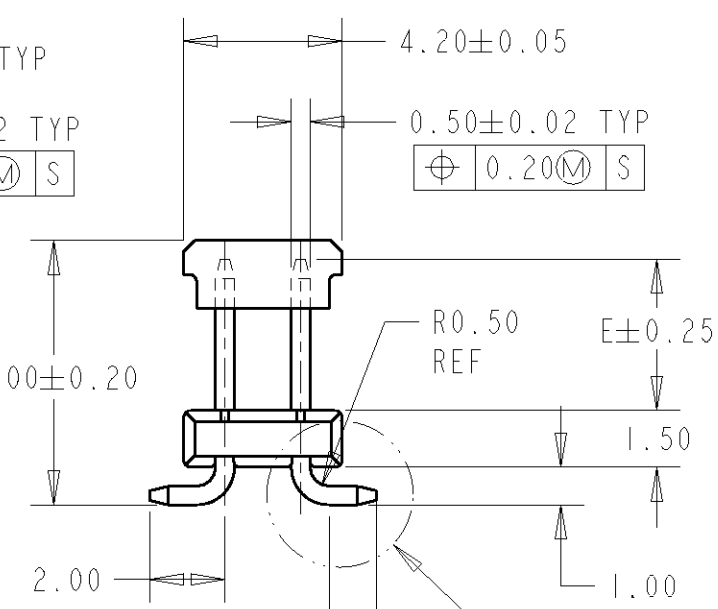
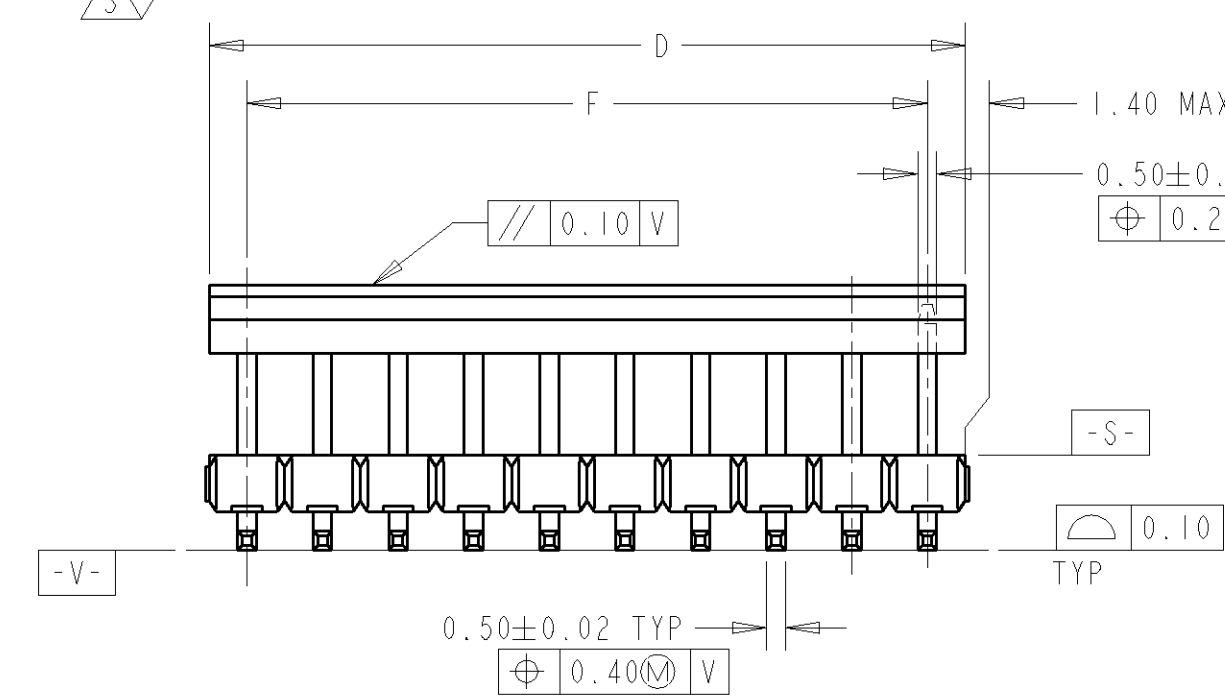
LOC	DIST	REVISIONS				
P	LTR	DESCRIPTION	DATE	DWN	APVD	
DY	-	02 REVISED ECR-07-009173	19APR07	GKT	LSF	



DETAIL B  
SCALE 10:1

NOTE:

- 1 MATERIAL:  
HOUSING: HIGH TEMPERATURE THERMOPLASTIC, UL94V-0  
POST: PHOSPHOR BRONZE
- 2 FINISH:  
CONTACT AREA: 0.08µm MIN Au OVER 0.76µm MIN  
PALLADIUM-NICKEL OR 0.76µm MIN GOLD  
SOLDERTAIL: 0.05µm MIN TO 0.2µm MAX GOLD FLASH
- 3 POST POSITION NUMBERS FOR REFERENCE ONLY



AMP TRADEMARK

TAPE & REEL	8	4.00	6	8	4	10	10	5084702-2
TAPE & REEL	18	4.00	20	18	9	20	20	5084702-1
PACKAGING	F	E	D	C	B	A	POS.	PART NO.

THIS DRAWING IS A CONTROLLED DOCUMENT FOR AMP INCORPORATED. IT IS SUBJECT TO CHANGE AND THE CONTROLLING ENGINEERING ORGANIZATION SHOULD BE CONTACTED FOR THE LATEST REVISION.		DWN WYLEE 29MAR05	<b>tyco</b> Electronics Tyco Electronics Singapore Pte. Ltd.
DIMENSIONS: mm		CHK VINCENT TAN	
TOLERANCES UNLESS OTHERWISE SPECIFIED: 0 PLC ± 1 PLC ±0.20 2 PLC ±0.25 3 PLC ±0.30 4 PLC ±0.20 ANGLES ±3°		APVD SF L FONG	NAME HEADER ASSY, AMPMODU 2mm SMT VERTICAL WITH BENT LEADS AND PICK-UP CAP
MATERIAL 1		PRODUCT SPEC 108-	SIZE A3
FINISH 2		APPLICATION SPEC 114-	CAGE CODE 00779
		WEIGHT -	DRAWING NO 5084702
		CUSTOMER DRAWING	SCALE 5:1 SHEET 1 OF 1 REV 02