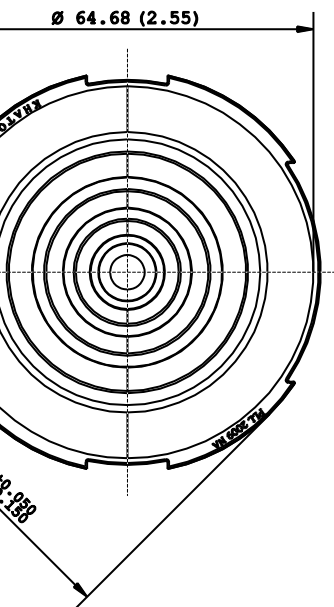
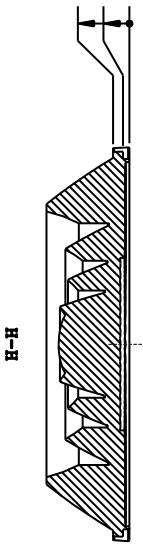
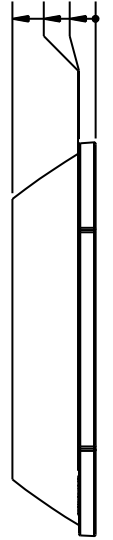


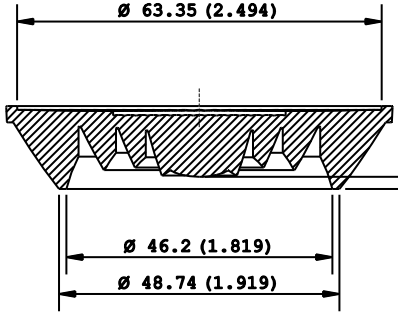
0 (0)  
 1.13 (0.044) ±0.060  
 2.87 (0.113) ±0.060



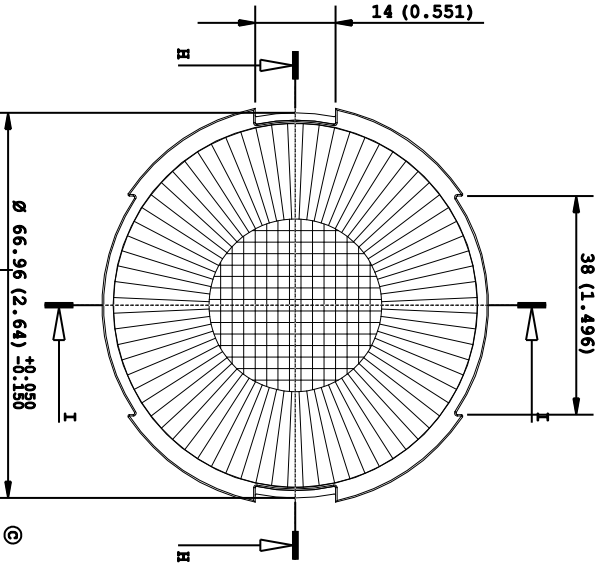
0 (0)  
 2.87 (0.113)  
 3.03 (0.119)  
 14.43 (0.568) ±0.100



2.12 (0.083)



14 (0.551)



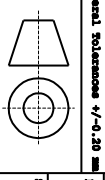
- Note:**
- Dimensions in inches into brackets
  - For missing dimensions see 3D file
  - WHITE surfaces: mirror polished
  - BLUE surfaces: embossed 25/27 VDI
  - RED surface: available area for gate material.
  - Sink mark injection will be present
  - © : Quality Control Dimension (QCD)

Project and design owned by Khator OYAKHOZHOVICH S. P. I. I. I.  
 The technical solutions adopted in this design are Khator Intellectual property, they cannot be reproduced and transmitted to third parties without our prior written permission.  
 Unauthorized disclosure of confidential proprietary information will be prosecuted by law.  
 INVENTOR :  
 DESIGNER :  
 MANUFACTURER :  
 MATERIAL :  
 FINISH :  
 DATE :  
 SHEET :  
 OF :  
 PROJECT :  
 DRAWN :  
 CHECKED :  
 APPROVED :  
 DATE :

PLI 2009 NA

**KHATOD**

Via Alessandro, 25  
 Casale Mirafiori  
 ITALY  
 WWW.KHATOD.COM



General Tolerances +/- 0.20 mm  
 DATE PREPARATION: NO ONE  
 SCALE: 1 : 1  
 SHEET: 1 OF 1

Gate area: see note

