



# Plug-in Relay Receiver

902 MHz  
E9X-R12GP  
E9X-R12GP-Z (High Power)

315 MHz  
E3X-R12GP  
E3X-R12GP-Z (High Power)

The wirelessly controlled ILLUMRA Relay Receiver responds to compatible ILLUMRA wireless light switches and transmitters to provide ON/OFF control of lights and other plug-in devices.

The receiver may optionally be used to control electrical loads using signals from wireless occupancy sensors.

## Easy-To-Use

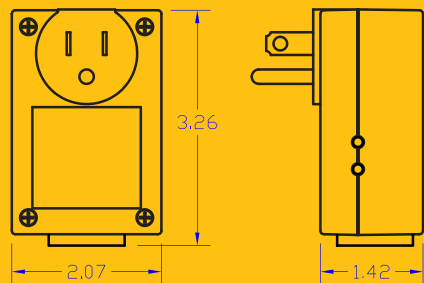
- Plugs into any 120V outlet
- Fast, simple programming
- Requires no switch-leg wires
- ON/OFF control of lights and devices

## Reliable Range

- 50 to 150 foot range (typical)
- Compatible with all ILLUMRA switches
- Error checking ensures response only to appropriate wireless switches
- A single transmitter can control unlimited receivers within range
- Repeaters available for added range

## Save Energy, Time, and Money

Avoid costly and time-consuming installation of hardwire switches, and conserve energy and save money by choosing ILLUMRA switches, sensors and receivers!



ILLUMRA  
Lindon, UT 84042

T: (801) 349-1200  
Sales@ILLUMRA.com  
Info@ILLUMRA.com  
www.ILLUMRA.com



## Simple Wireless Control Systems

- Lamps
- Outdoor Lighting
- Manual or automatic ON/OFF control w/ Motion Sensor

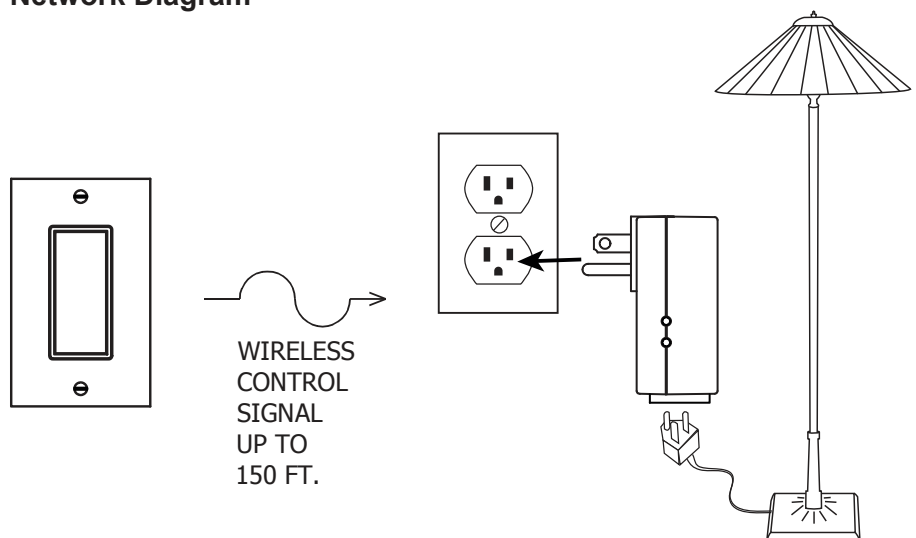
## Control The Way You Want It

Control the ILLUMRA Relay Receiver with a variety of devices:

- Self-powered wireless light switches
- Wireless occupancy sensors
- SLT sensors
- Gateway control

|                           | E3X-R12GP<br>E9X-R12GP                                      | E3X-R12GP-Z<br>E9X-R12GP-Z |
|---------------------------|---|----------------------------|
| Range                     | 50-150 feet (typical)                                       |                            |
| Frequency                 | 315 or 902 MHz  |                            |
| Power Supply Input Rating | 120VAC 50 / 60 Hz   |                            |
| Output Rating             |   |                            |
| General                   | 6A  | 15A                        |
| Ballast                   | 3A  | 15A                        |
| Tungsten                  | 500W  | 1800W                      |
| Motor                     | N/A   | 1/2 HP                     |
| Memory                    | Stores up to 25 unique transmitter IDs                      |                            |
| Operating Temperature     | -13° to +140°F (-25° to +60°C)                              |                            |
| Storage Temperature       | -40° to +140°F (-40° to +60°C)                              |                            |
| Dimensions                | 3.26 x 2.07 x 1.42 inches<br>(82 x 53 x 36 mm)              |                            |
| Radio Certification       | FCC (United States)<br>I.C. (Canada)                        |                            |
| Safety Approval           | ETL (United States): UL244A<br>ETL (Canada): CSAc22.2#14-05 |                            |

## Network Diagram



This device or certain aspects thereof is protected by at least one U.S. or international patent or has at least one such patent application pending.



AHD0242C

ILLUMRA is a trademark of Ad Hoc Electronics, L.L.C. Other trademarks herein are the property of their respective owners.