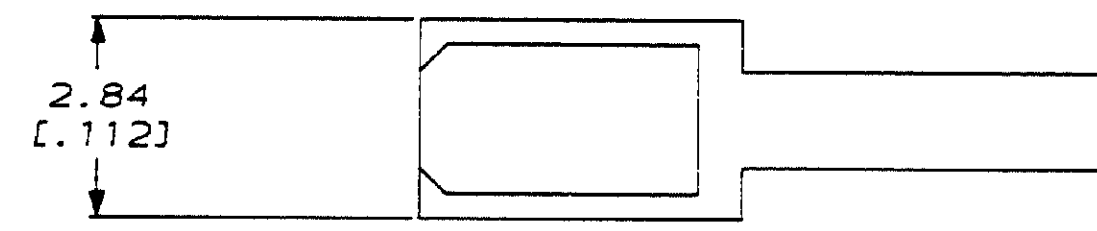
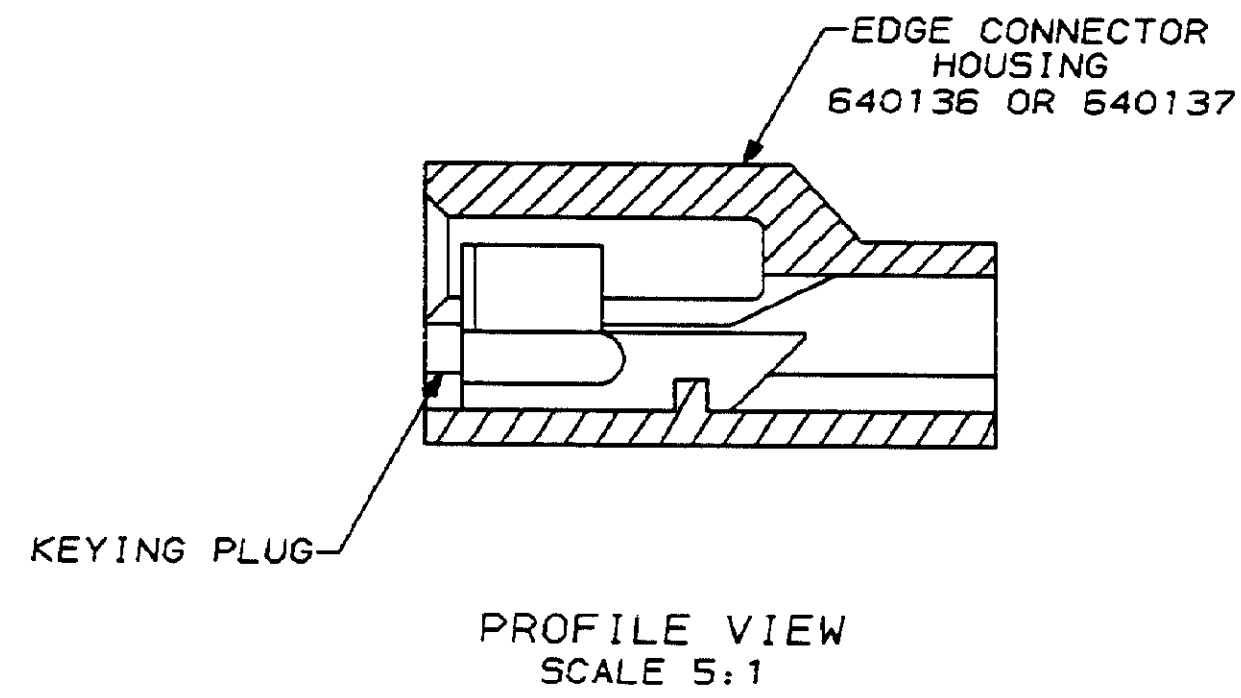
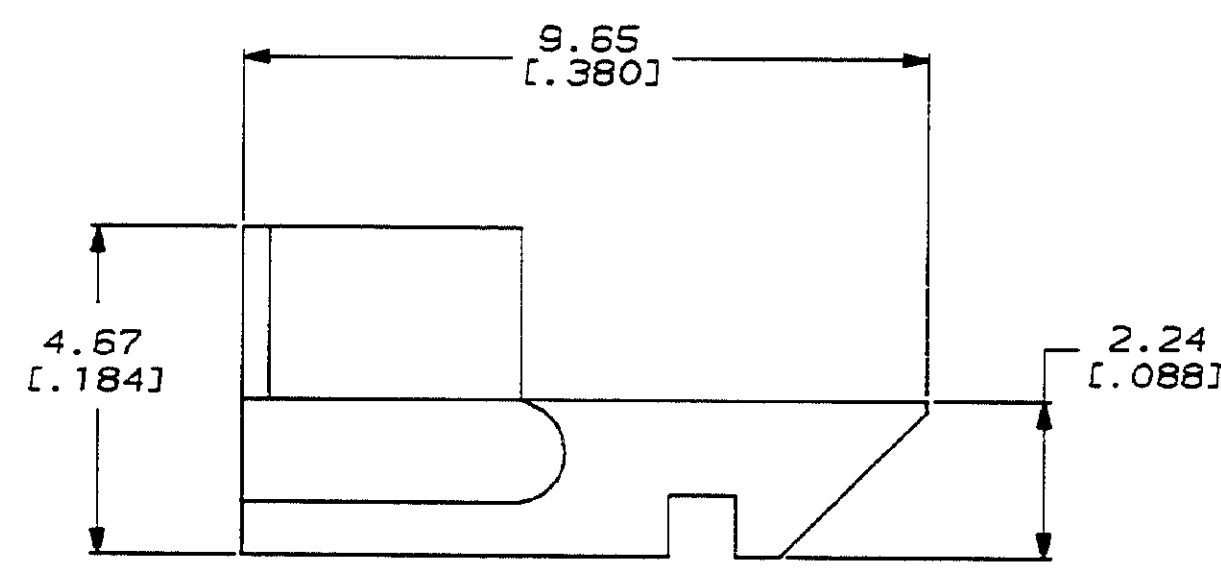
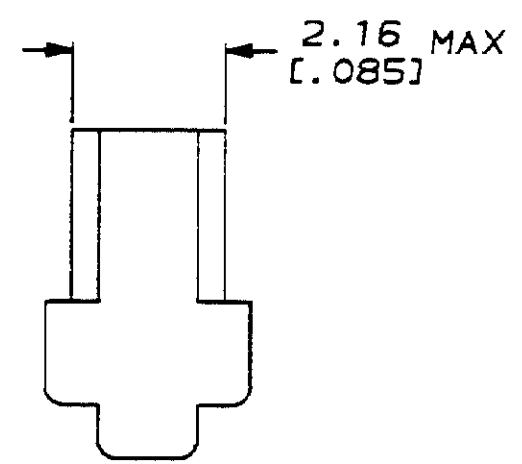


LOC	DIST	P	F	ZONE	LTR	REVISIONS	DATE	APPO
CM	52					F REDRAWN & REVISED PER ECN CM-11	11-21-91	KS RS



1. DIMENSIONS IN BRACKETS ARE IN INCHES.



**METRIC**

640180-1  
PART NUMBER

DO NOT SCALE PRINT. UNLESS SPECIFIED DIMENSIONS IN INCHES TOLERANCES ON:		DR 11-21-91 K. SALMON		PART NO	
2 PLC DEC ±	—	CHK 11-21-91 R. SWING		<b>AMP</b>   AMP INCORPORATED Harrisburg, Pa. 17105	
3 PLC DEC ±	0.13 [.005]	APPD 4-24-92 W. LONG			
ANGLES ±	—	APPD 4-24-92 W. LONG		NAME KEYING PLUG, P.C. CONNECTOR, BIFURCATED LEAF	
MATERIAL	NYLON, 94V-2 (NATURAL)	PRODUCT SPEC		SIZE	D 00779
FINISH	—	APPLICATION SPEC		DRAWING NO	640180
WEIGHT	—			SCALE	10:1
				SHEET	1 OF 1

CUSTOMER DRAWING

AMP BUSINESS GROUP 3329 177P-1 WITH SALMON