

**NOTES:**

**1. MATERIAL:**

HOUSING: THERMAL PLASTIC, G.F., UL94V-0, COLOR: BLACK  
 COVER: THERMAL PLASTIC, COLOR: BLACK  
 TERMINAL: COPPER ALLOY  
 METAL LATCH: STAINLESS STEEL

**2. TERMINAL PLATING:**

CONTACT AREA: GOLD PLATED  
 IDT TAIL: PLATE TIN, 1.9 MICRONS MINIMUM  
 UNDER PLATE: PLATE NICKEL 1.25 MICRONS MINIMUM

**3. PACKAGING: TRAY**

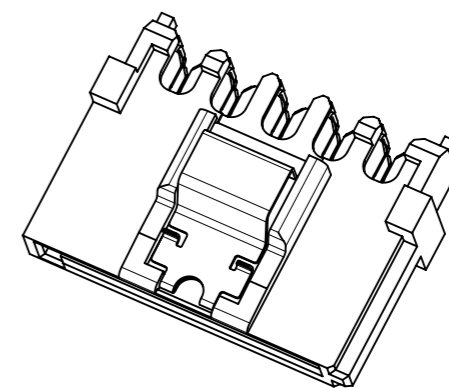
**4. PRODUCT SPECIFICATION REFER TO PS-67490-001**

**5. ASSEMBLE WITH COVER 679260040/0041 AFTER WIRE TERMINATION**

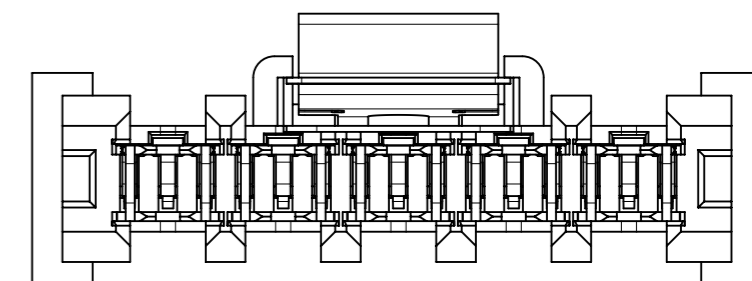
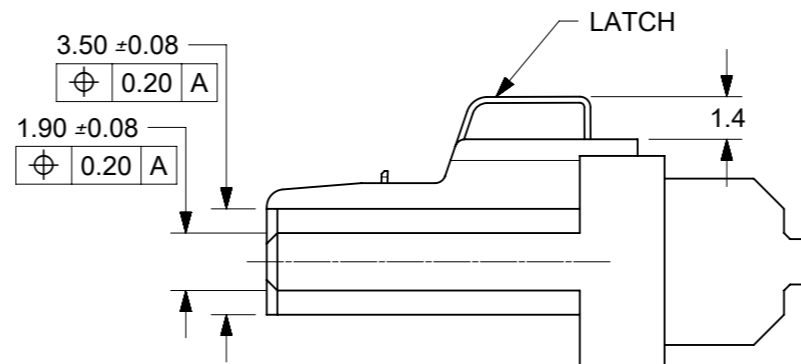
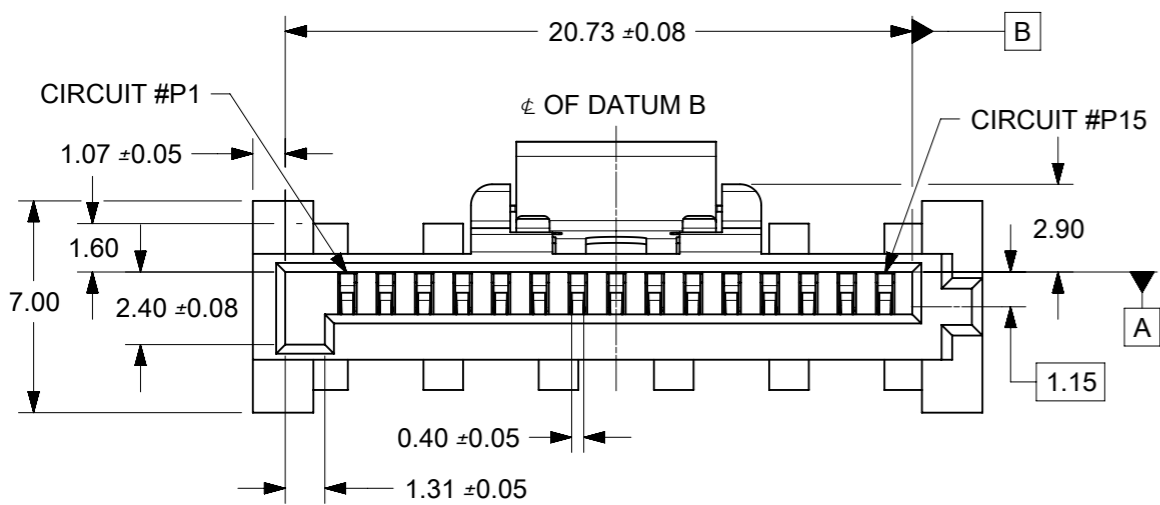
**6. MATING PART 87679**

**7. RECOMMENDED TERMINATING WIRE SIZE: SEE TABLE**

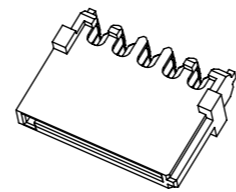
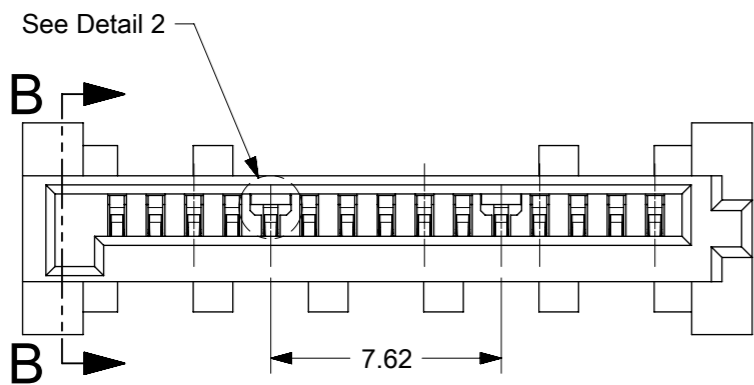
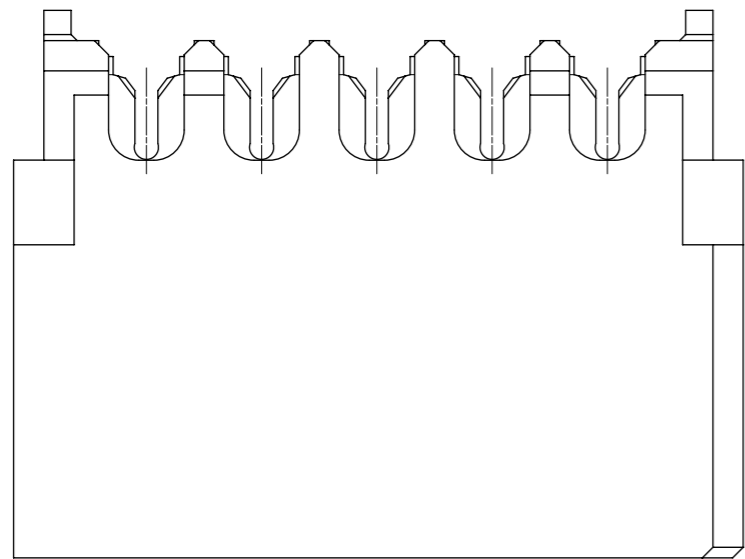
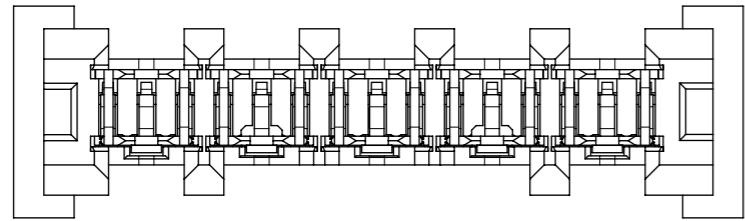
**8. PRODUCT COMPLIANT TO RoHS DIRCTIVE 2002/95/EC AND ELV DIRECTIVE 2000/53/EC**



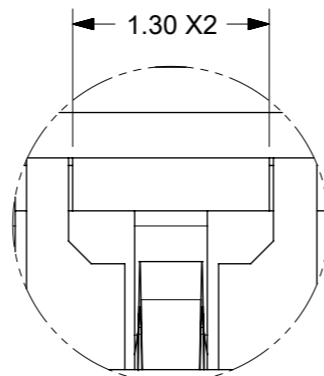
**WITH LATCH TYPE**



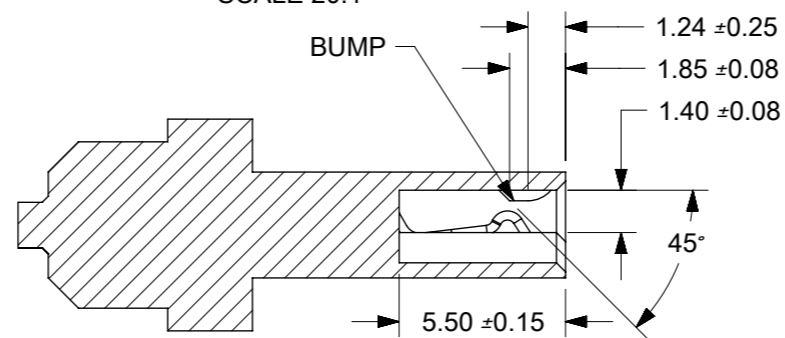
<b>SYMBOLS</b> □ = 0 ▽ = 0 ▽ = 0 ▽ = 0 ▽ = 0 ▽ = 0 ▽ = 0 ▽ = 0 ▽ = 0 ▽ = 0 ▽ = 0 ▽ = 0 ▽ = 0	THIS DRAWING CONTAINS INFORMATION THAT IS PROPRIETARY TO MOLEX ELECTRONIC TECHNOLOGIES, LLC AND SHOULD NOT BE USED WITHOUT WRITTEN PERMISSION DIMENSION UNITS: <b>mm</b> SCALE: <b>4:1</b>		CURRENT REV DESC: EC NO: 630535 DRWN: CCHEN103 2020/01/15 CHK'D: JKACHLIC 2020/02/20 APPR: JKACHLIC 2020/02/20 INITIAL REVISION: DRWN: GRMA 2003/12/03 APPR: SHUANG 2003/12/04	 SERIAL ATA POWER CONNECTOR IDT TYPE PRODUCT CUSTOMER DRAWING			
	GENERAL TOLERANCES (UNLESS SPECIFIED) ANGULAR TOL ± 1.0° 4 PLACES ± 3 PLACES ± 2 PLACES ± 0.25 1 PLACE ± 0.3 0 PLACES ± DRAFT WHERE APPLICABLE MUST REMAIN WITHIN DIMENSIONS						DOCUMENT NUMBER <b>SD-67926-001</b>
DOCUMENT STATUS: P1 RELEASE DATE: 2020/02/20 04:40:38		THIRD ANGLE PROJECTION 	DRAWING <b>A3-SIZE</b>	SERIES <b>67926</b>	MATERIAL NUMBER SEE CHART	CUSTOMER GENERAL MARKET	SHEET NUMBER <b>1 OF 3</b>



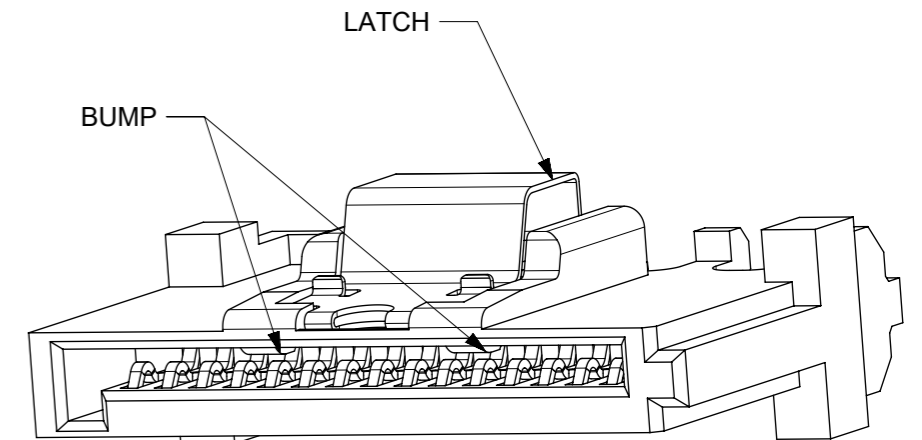
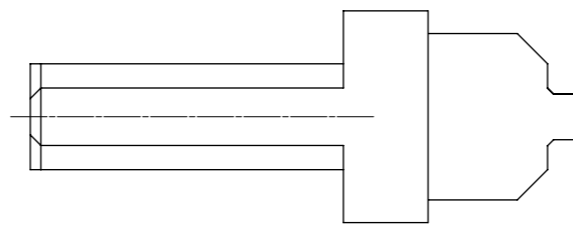
WITHOUT LATCH TYPE



DETAIL C  
SCALE 20:1



SECTION B-B



WITH LATCH AND BUMP TYPE

NOTES:  
OTHER INFORMATION REFER TO SHEET 1.

THIS DRAWING CONTAINS INFORMATION THAT IS PROPRIETARY TO MOLEX ELECTRONIC TECHNOLOGIES, LLC AND SHOULD NOT BE USED WITHOUT WRITTEN PERMISSION									
SYMBOLS		DIMENSION UNITS		SCALE		CURRENT REV DESC:			
▽ = 0		mm		4:1					
▽ = 0		GENERAL TOLERANCES (UNLESS SPECIFIED)							
▽ = 0		ANGULAR TOL ± 1.0°							
▽ = 0	4 PLACES	±			EC NO: 630535				
▽ = 0	3 PLACES	±			DRWN: CCHEN103 2020/01/15				
▽ = 0	2 PLACES	± 0.25			CHK'D: JKACHLIC 2020/02/20				
▽ = 0	1 PLACE	± 0.3			APPR: JKACHLIC 2020/02/20				
▽ = 0	0 PLACES	±			INITIAL REVISION:				
☒ = 0	DRAFT WHERE APPLICABLE MUST REMAIN WITHIN DIMENSIONS				THIRD ANGLE PROJECTION		DRAWING		SERIES
▽ = 0					A3-SIZE		67926		MATERIAL NUMBER
								CUSTOMER	
								SHEET NUMBER	
								2 OF 3	

**molex**


SERIAL ATA  
POWER CONNECTOR IDT TYPE

PRODUCT CUSTOMER DRAWING

DOCUMENT NUMBER	DOC TYPE	DOC PART	REVISION
SD-67926-001	PSD	001	J1

F  
E  
D  
C  
B  
A

P/N	RECOMMENDED WIRE SIZE	PLATE TYPE	REMARK	
67926-0001	18AWG	GOLD FLASH	WITH LATCH, WITHOUT BUMP	
67926-0401	22AWG			
67926-0002	18AWG	0.76 MICRON GOLD PLATED		
67926-0302	20AWG			
67926-0402	22AWG			
67926-0005	18AWG	0.38 MICRON GOLD PLATED		
67926-0305	20AWG			
67926-0405	22AWG			
67926-0021	18AWG	GOLD FLASH		WITH LATCH, WITH BUMP
67926-0321	20AWG			
67926-0421	22AWG	0.76 MICRON GOLD PLATED		
67926-0022	18AWG			
67926-0322	20AWG			
67926-0422	22AWG			
67926-0025	18AWG	0.38 MICRON GOLD PLATED		
67926-0425	22AWG			
67926-0011	18AWG	GOLD FLASH	WITHOUT LATCH, WITH BUMP	
67926-0311	20AWG			
67926-0411	22AWG	0.76 MICRON GOLD PLATED		
67926-0012	18AWG			
67926-0412	22AWG			
67926-0015	18AWG	0.38 MICRON GOLD PLATED		
67926-0315	20AWG			
67926-0415	22AWG			

<b>SYMBOLS</b> ▽ = 0 ▽ = 0 ▽ = 0 ▽ = 0 ▽ = 0 ▽ = 0 ▽ = 0 ▽ = 0 ▽ = 0 ▽ = 0	THIS DRAWING CONTAINS INFORMATION THAT IS PROPRIETARY TO MOLEX ELECTRONIC TECHNOLOGIES, LLC AND SHOULD NOT BE USED WITHOUT WRITTEN PERMISSION		CURRENT REV DESC:		 SERIAL ATA POWER CONNECTOR IDT TYPE	
	DIMENSION UNITS	SCALE	EC NO: 630535			DOCUMENT NUMBER
	mm	4:1	DRWN: CCHEN103 2020/01/15			DOC TYPE
	GENERAL TOLERANCES (UNLESS SPECIFIED)		CHK'D: JKACHLIC 2020/02/20		DOC PART	REVISION
	ANGULAR TOL ± 1.0°		APPR: JKACHLIC 2020/02/20		001	
	4 PLACES ±		INITIAL REVISION:		SD-67926-001	
	3 PLACES ±		DRWN: GRMA 2003/12/03		SEE CHART	
	2 PLACES ± 0.25		APPR: SHUANG 2003/12/04		GENERAL MARKET	
	1 PLACE ± 0.3		DRAFT WHERE APPLICABLE MUST REMAIN WITHIN DIMENSIONS		SHEET NUMBER	
	0 PLACES ±		THIRD ANGLE PROJECTION		3 OF 3	
▣ = 0		DRAWING		A3-SIZE		
▽ = 0		SERIES		67926		