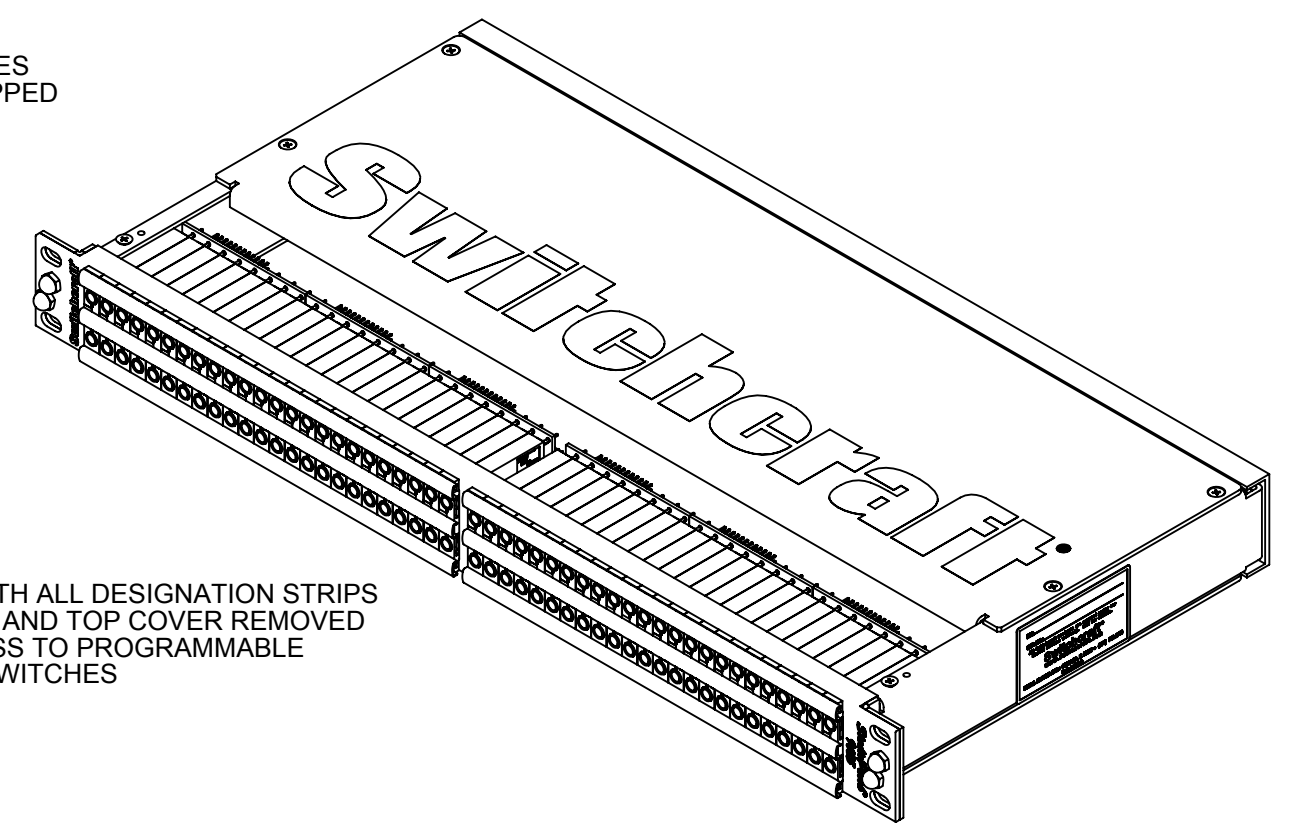
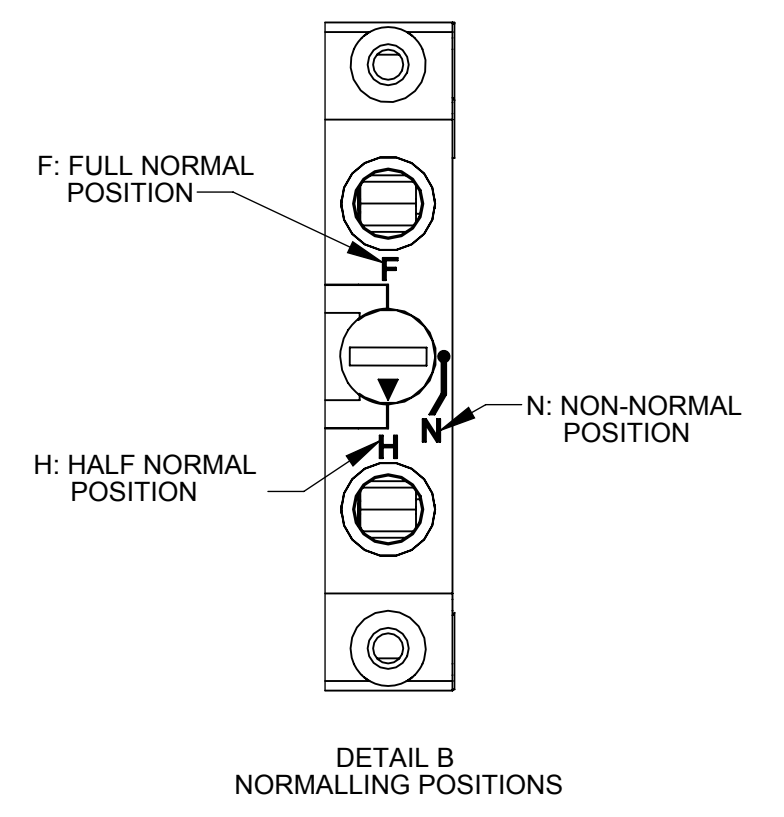
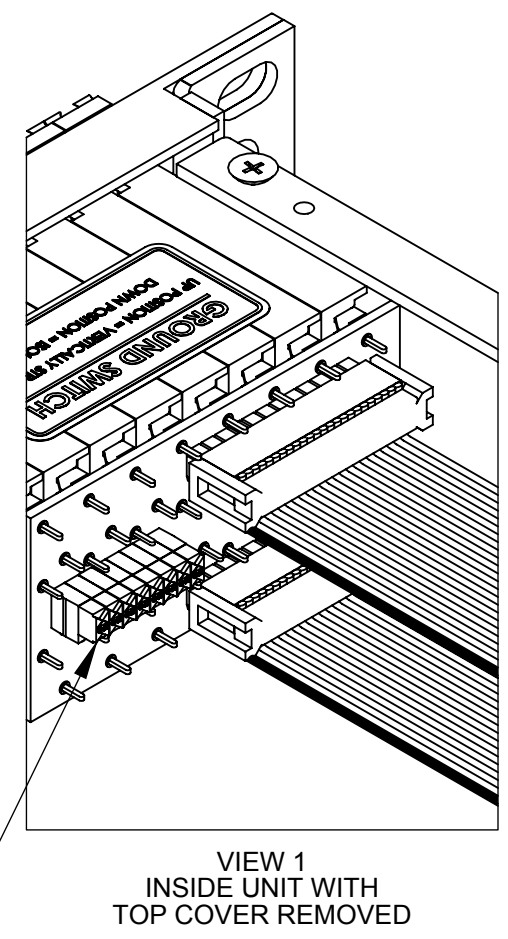
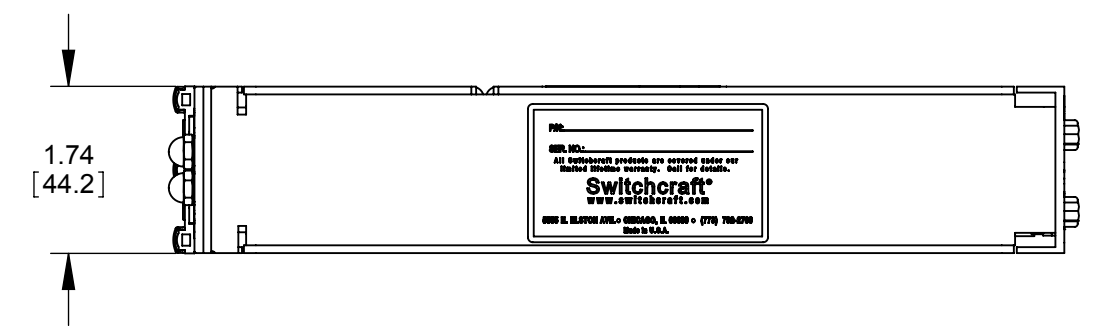


DB25 WIRING CHART

JACK (CHANNEL)	TIP (HOT)	RING (COLD)	SLEEVE (GROUND)
1	24	12	25
2	10	23	11
3	21	9	22
4	7	20	8
5	18	6	19
6	4	17	5
7	15	3	16
8	1	14	2



SHOWN WITH ALL DESIGNATION STRIPS ATTACHED AND TOP COVER REMOVED FOR ACCESS TO PROGRAMMABLE GROUND SWITCHES



- NOTES
1. ALL DIMENSIONS FOR REFERENCE ONLY
  2. CHASSIS IS BLUE ANODIZED ALUMINUM WITH WHITE LASER ETCHED TEXT AND ARTWORK
  3. DESIGNATION STRIPS SHIPPED UNASSEMBLED
  4. THIS PRODUCT IS RoHS COMPLIANT

**PRELIMINARY**  
**CUSTOMER DRAWING**

UNLESS OTHERWISE SPECIFIED					THIS DRAWING DESCRIBES A DESIGN CONSIDERED PROPRIETARY IN NATURE, DEVELOPED AND MANUFACTURED BY SWITCHCRAFT INC. AND IS RELEASED ON A CONFIDENTIAL BASIS FOR IDENTIFICATION PURPOSES ONLY.					
1. ALL DIMENSIONS IN INCHES					SIZE *	WIDTH *	MULT *	LBS/M *	TEMPER *	
- TWO PLACE DECIMALS ±0.02					FINISH *					
- THREE PLACE DECIMALS ±0.005					MATERIAL SPEC No. *					
* * * * *					FIRST USED ON		SCALE 1:4			
REV					DATE DRAWN	BY	CHKD	APVD		
ECO NUMBER					4-28-11	BHM	*	Switchcraft®		
DATE					SHEET 1 OF 1					
BY					NAME TT EZ NORM PATCHBAY 1RU, DB25, PROG. GROUNDS					
APVD					PART No. 9625					
REVISIONS					DO NOT SCALE DRAWING					
					REV 0A					