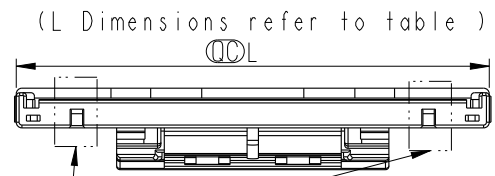
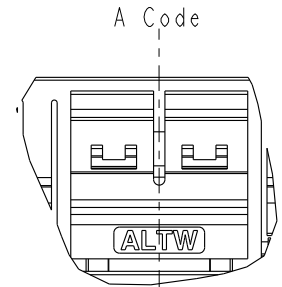


THIS DOCUMENT IS SUBJECT TO CHANGE WITHOUT NOTICE. IT IS CONFIDENTIAL AND A PROPERTY OF AMPHENOL LTW. DISCLOSURE TO THIRD PARTY HAS TO BE AUTHORIZED BY AMPHENOL LTW.

REV.	ECN NO.	DATE	SIGN	DESCRIPTION
A		2023/01/10	Xiaofeng	New Initial.

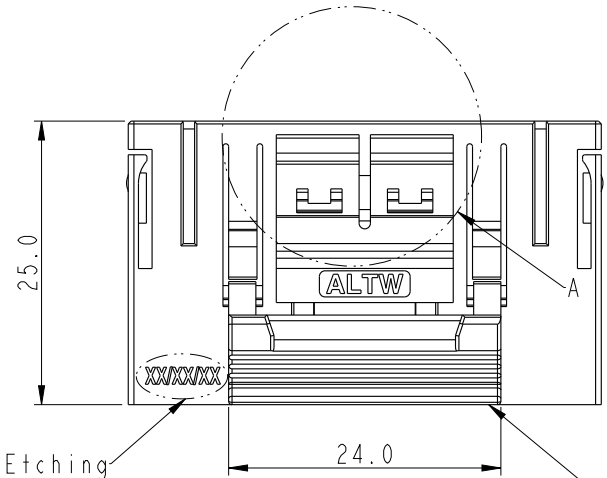


The prevention tilt insert structure is only available for 36 to 40 pin



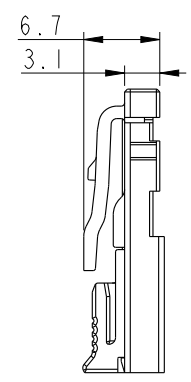
A Code

Detail: A



Laser Etching Corresponding Pin Number

The secondary lock



Z2A1-XX NMAN-BN0001

XX: Number Of Contacts (Pitch)
 AA: 40 (P0.9) / 20 (P1.8)
 AB: 38 (P0.9) / 19 (P1.8)
 AC: 36 (P0.9) / 18 (P1.8) / 12 (P2.7)

UNIT: mm		
TOLERANCE		
.X	±0.25	
.XX	±0.1	
.XXX	±0.05	
ANGLES	±1°	

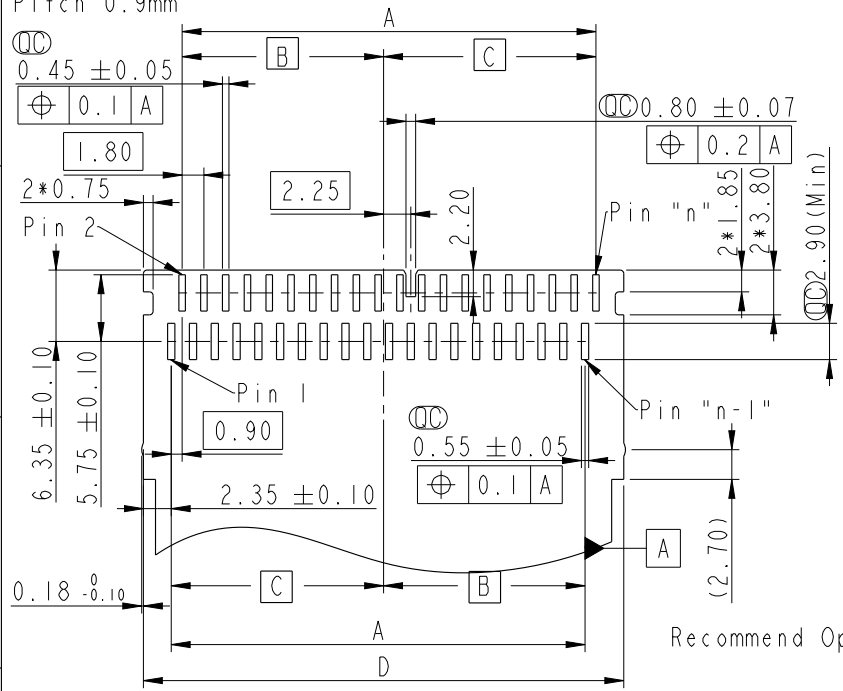
TITLE Z CONN., N SHLD, M		
SCALE 1:1	SIZE A4	SHEET 1 OF 5
REV. A	WC-REV. .0	: Inspection item

Amphenol LTW
 安費諾亮泰企業股份有限公司

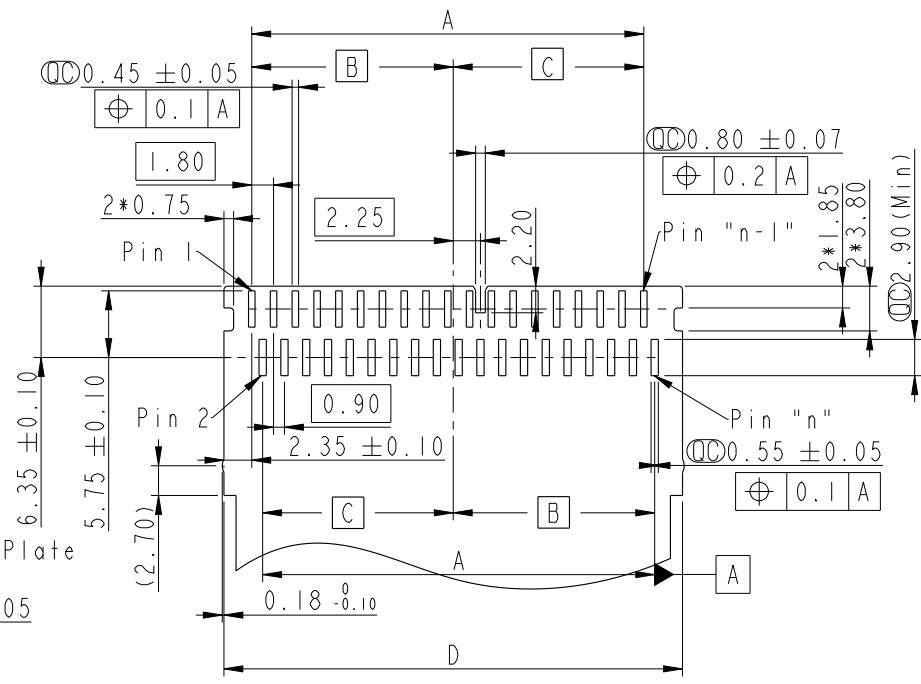
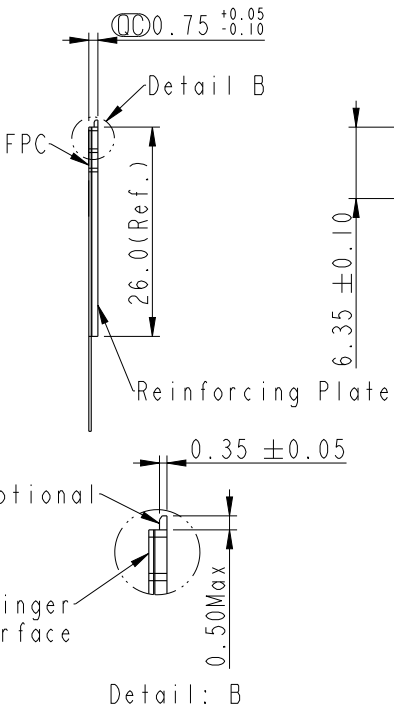
ITEM NO Z2A1-XXNMAN-BN0001	DRAWN BY Xiaofeng	DATE 2023/01/10
CUSTOMER ALTW	CHECKED BY Jerry	DATE 2023/01/10
	APPROVED BY Max	DATE 2023/01/10

THIS DOCUMENT IS SUBJECT TO CHANGE WITHOUT NOTICE. IT IS CONFIDENTIAL AND A PROPERTY OF AMPHENOL LTW. DISCLOSURE TO THIRD PARTY HAS TO BE AUTHORIZED BY AMPHENOL LTW.

Flexible Printed Circuit
Pitch 0.9mm



RECOMMENDED FPC LAYOUT



RECOMMENDED FPC LAYOUT

PIN	L (mm)	A (mm)	B (mm)	C (mm)	D (mm)
36	38.1	30.6	14.85	15.75	36.2
40	41.7	34.2	16.65	17.55	39.8

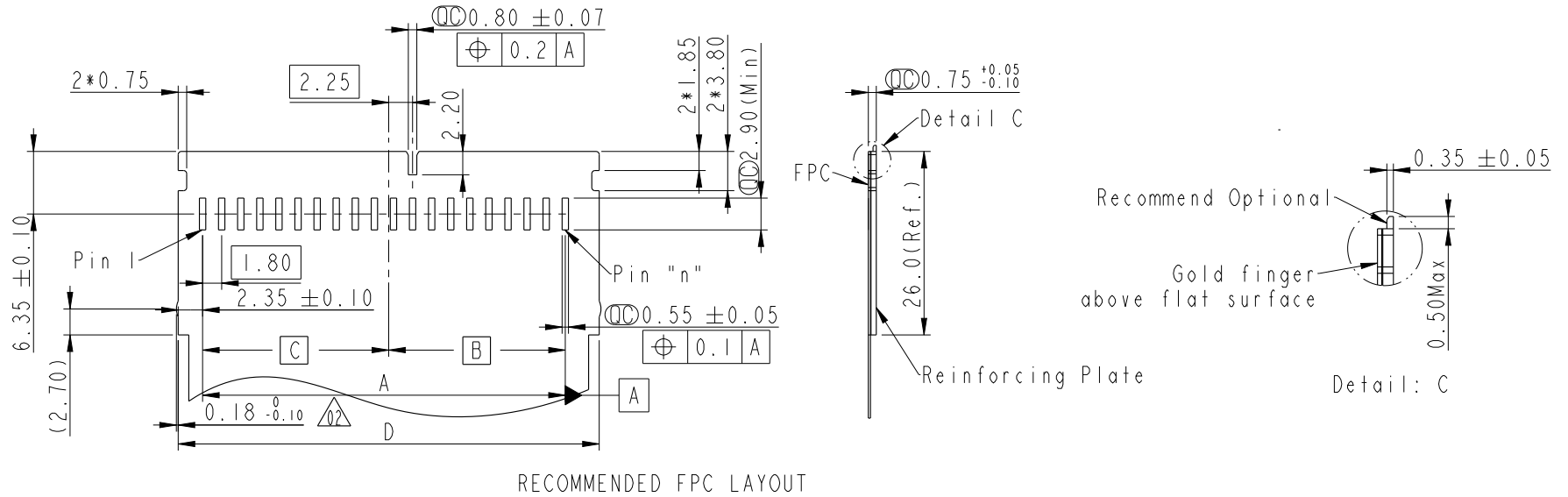
PIN	L (mm)	A (mm)	B (mm)	C (mm)	D (mm)
38	39.9	32.4	16.65	15.75	38

UNIT: mm		TITLE Z CONN., N SHLD, M			
TOLERANCE		SCALE	SIZE	SHEET	OF
.X	±0.25	1:1	A4	2	5
.XX	±0.1	REV.	WC-REV.		
.XXX	±0.05	A	.0		
ANGLES	±1°	☉: Inspection item			

Amphenol LTW
安費諾亮泰企業股份有限公司

ITEM NO	DRAWN BY	DATE
	Xiaofeng	2023/01/10
DWG NO	CHECKED BY	DATE
Z2AI-XXNMAN-BN0001	Jerry	2023/01/10
CUSTOMER	APPROVED BY	DATE
ALTW	Max	2023/01/10

Flexible Printed Circuit
Pitch 1.8mm



RECOMMENDED FPC LAYOUT

PIN	L (mm)	A (mm)	B (mm)	C (mm)	D (mm)
18	38.1	30.6	14.85	15.75	36.2
19	39.9	32.4	16.65	15.75	38.0
20	41.7	34.2	16.65	17.55	39.8

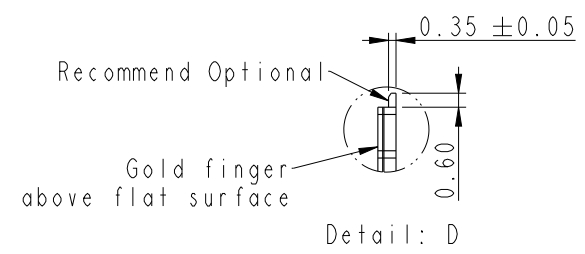
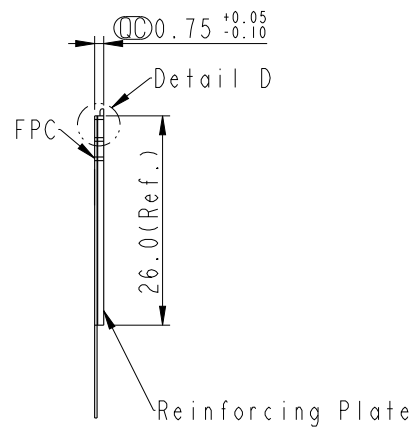
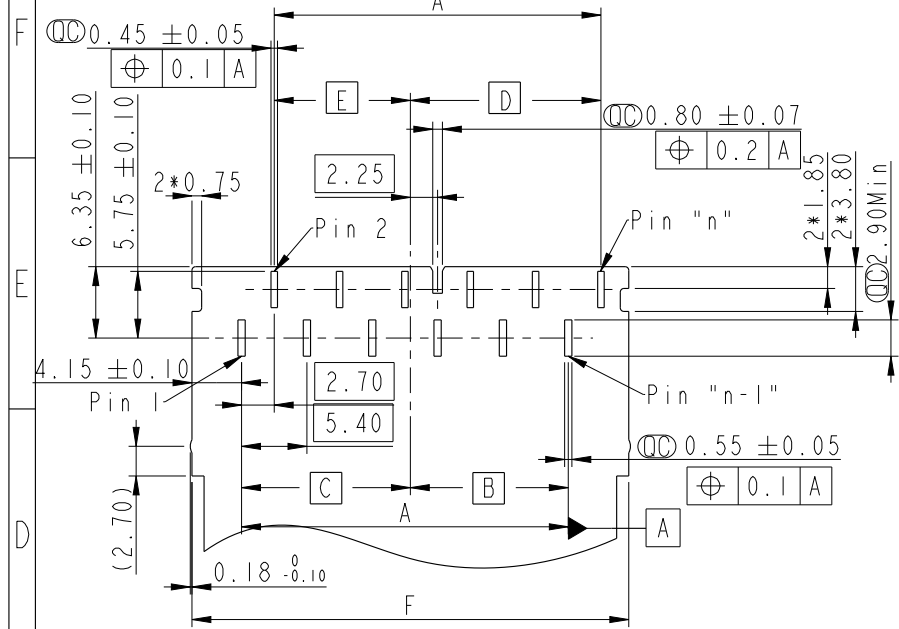
UNIT: mm TOLERANCE .X ±0.25 .XX ±0.1 .XXX ±0.05 ANGLES ±1°	TITLE Z CONN., N SHLD, M		Amphenol LTW 安費諾亮泰企業股份有限公司		ITEM NO Z2AI-XXNMAN-BN0001	DRAWN BY Xiaofeng	DATE 2023/01/10
	SCALE 1:1	SIZE A4			SHEET 3 OF 5	CHECKED BY Jerry	DATE 2023/01/10
	REV. A	WC-REV. .0	(CC): Inspection item	CUSTOMER ALTW	APPROVED BY Max	DATE 2023/01/10	

THIS DOCUMENT IS SUBJECT TO CHANGE WITHOUT NOTICE. IT IS CONFIDENTIAL AND A PROPERTY OF Amphenol LTW. DISCLOSURE TO THIRD PARTY HAS TO BE AUTHORIZED BY Amphenol LTW.

THIS DOCUMENT IS SUBJECT TO CHANGE WITHOUT NOTICE. IT IS CONFIDENTIAL AND A PROPERTY OF Amphenol LTW. DISCLOSURE TO THIRD PARTY HAS TO BE AUTHORIZED BY Amphenol LTW.

2 3 4 5 6 7 8

Flexible Printed Circuit
Pitch 2.7mm



RECOMMENDED FPC LAYOUT

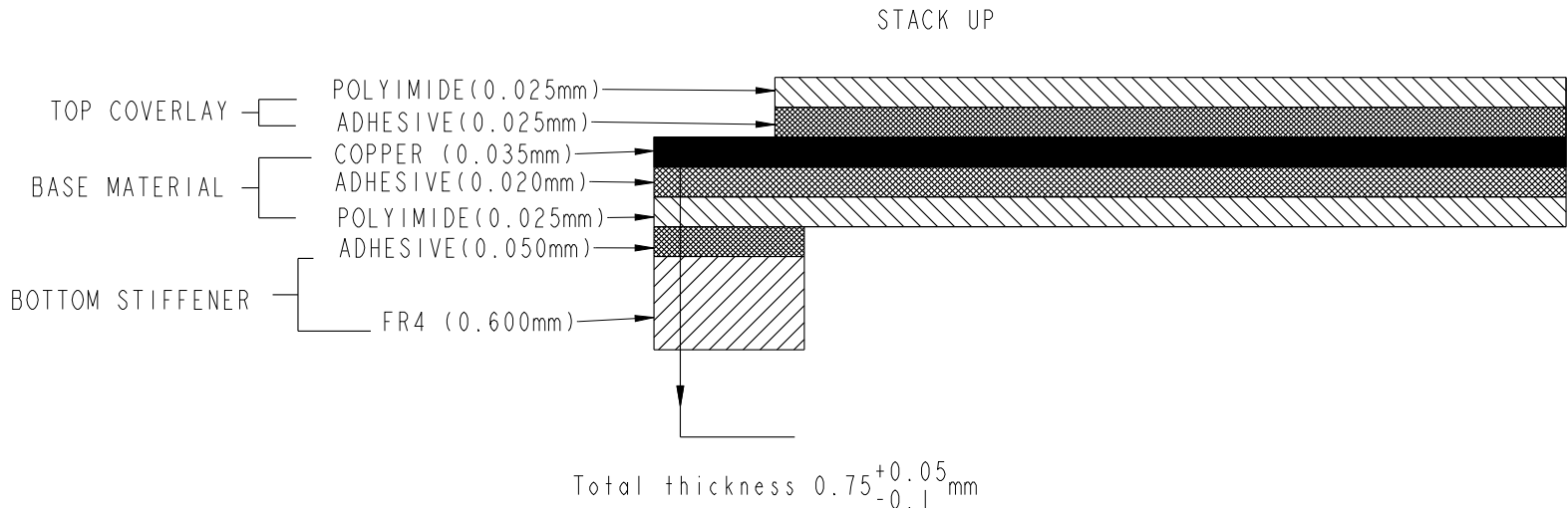
PIN	L(mm)	F(mm)	A(mm)	B(mm)	C(mm)	D(mm)	E(mm)
12	38.1	36.2	27.0	13.05	13.95	15.75	11.25

A	UNIT: mm			TITLE Z CONN., N SHLD, M		ITEM NO		DRAWN BY Xiaofeng	DATE 2023/01/10
	TOLERANCE .X ± 0.25 .XX ± 0.1 .XXX ± 0.05 ANGLES $\pm 1^\circ$	SCALE 1:1	SIZE A4	SHEET 4 OF 5	DWG NO Z2A1-XXNMAN-BN0001		CHECKED BY Jerry	DATE 2023/01/10	
	REV. A	WC-REV. .0	\varnothing : Inspection item	CUSTOMER ALTW		APPROVED BY Max	DATE 2023/01/10		

Amphenol LTW
安費諾亮泰企業股份有限公司

2 3 4 5 6 7 8 W10814-03-001A2

THIS DOCUMENT IS SUBJECT TO CHANGE WITHOUT NOTICE. IT IS CONFIDENTIAL AND A PROPERTY OF AMPHENOL LTW. DISCLOSURE TO THIRD PARTY HAS TO BE AUTHORIZED BY AMPHENOL LTW.



Note:
 * CC Important Dimensions To Check.
 * Material: Thermoplastic, Black.
 * All Parts Are RoHS Compliant.

UNIT: mm 	TITLE Z CONN., N SHLD, M			<h2 style="margin: 0;">Amphenol LTW</h2> <p style="margin: 0;">安費諾亮泰企業股份有限公司</p>		ITEM NO	DRAWN BY Xiaofeng	DATE 2023/01/10
	TOLERANCE .X ±0.25 .XX ±0.1 .XXX ±0.05 ANGLES ±1°		SCALE 1:1	SIZE A4	SHEET 5 OF 5	DWG NO Z2A1-XXNMAN-BN0001	CHECKED BY Jerry	DATE 2023/01/10
			REV. A	WC-REV. .0	CC : Inspection item	CUSTOMER ALTW	APPROVED BY Max	DATE 2023/01/10