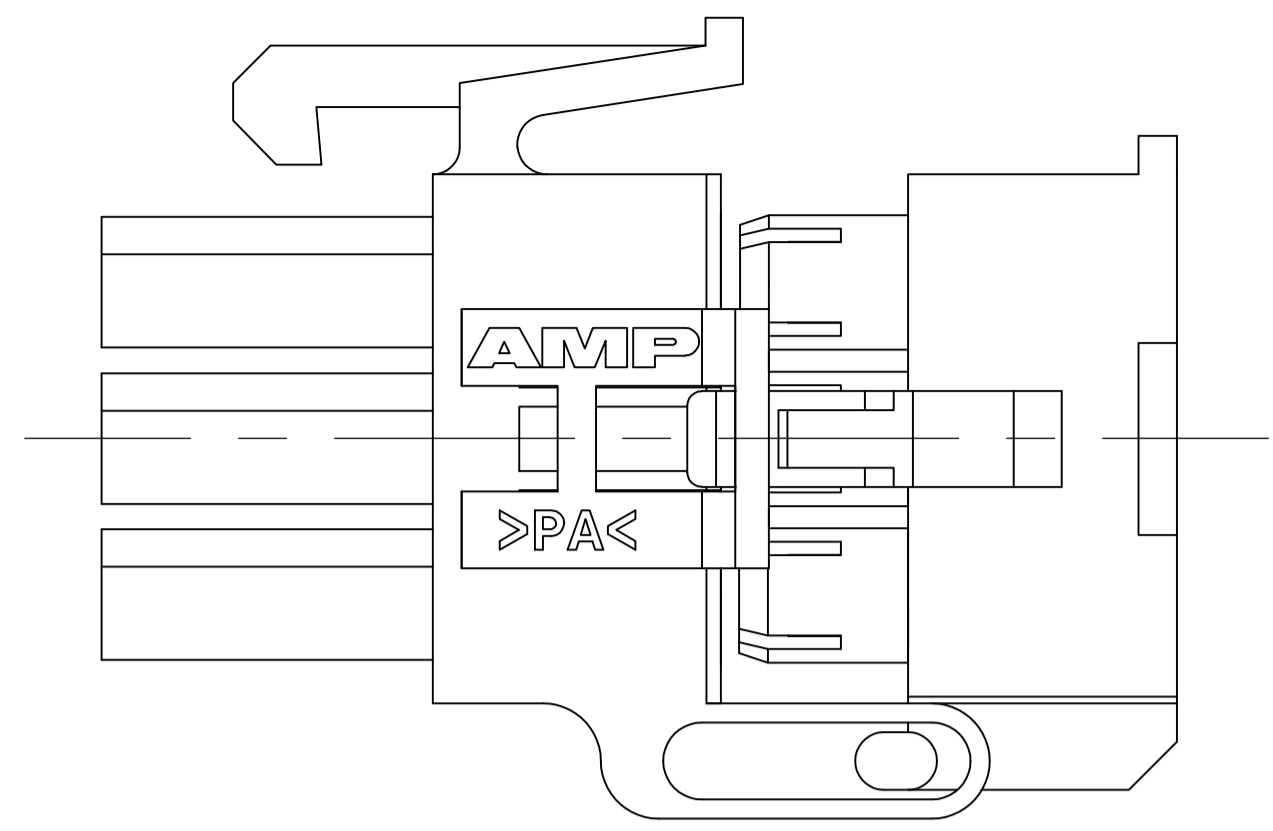
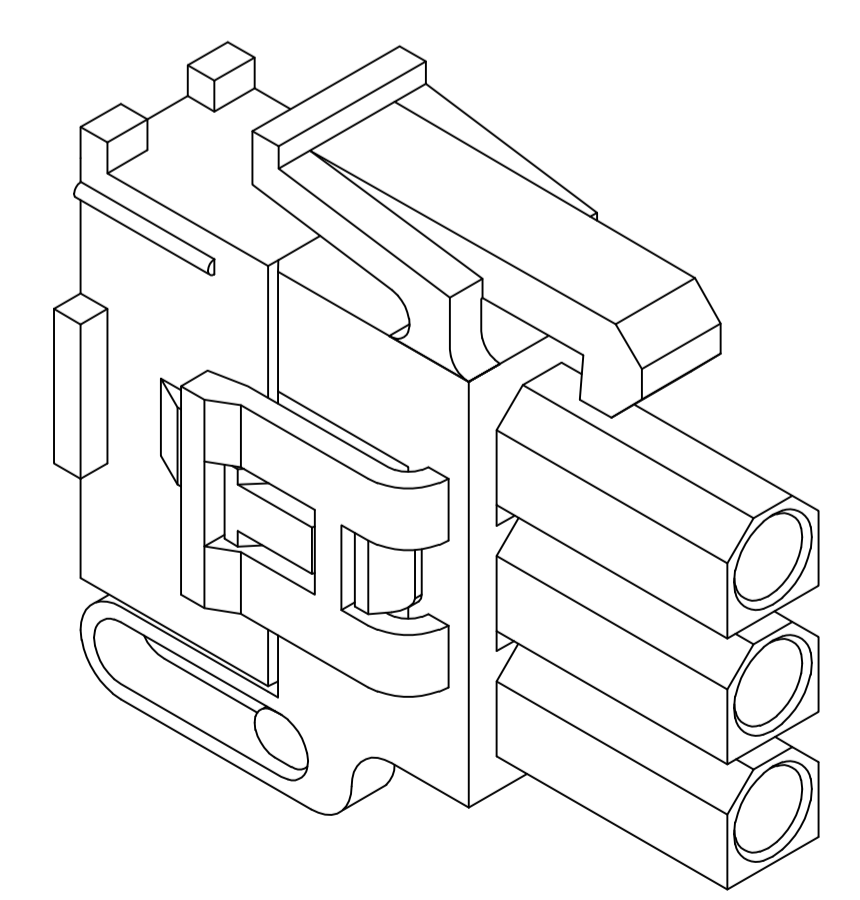
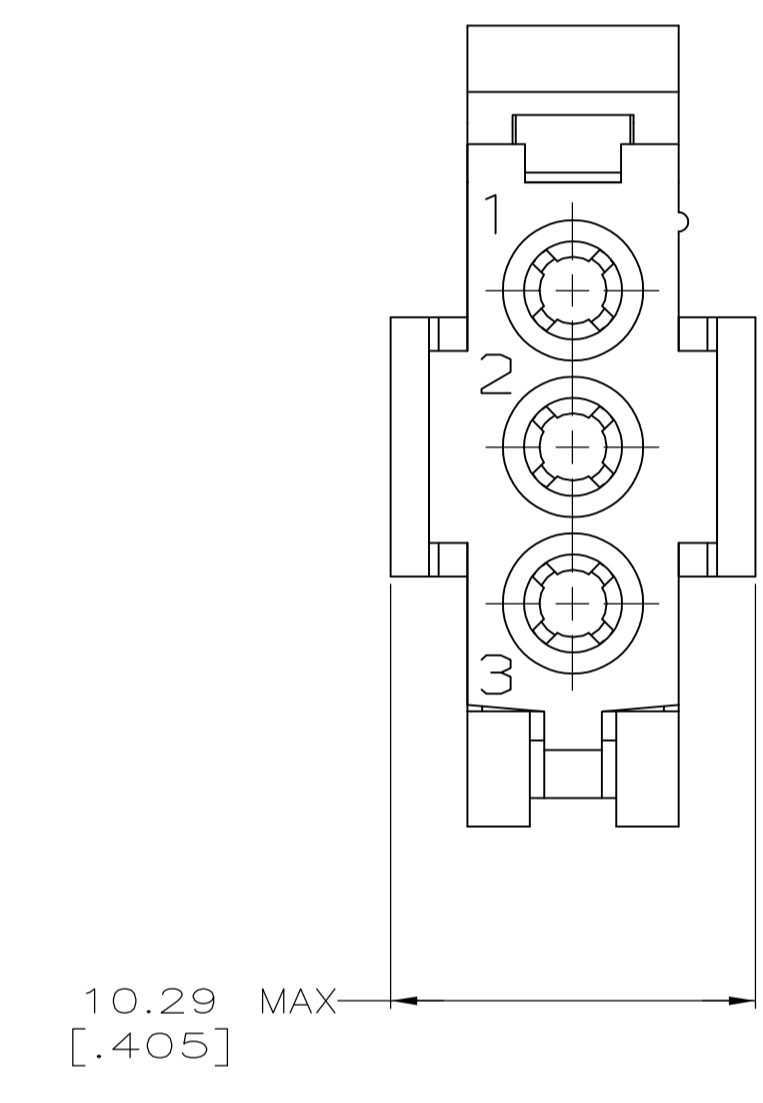
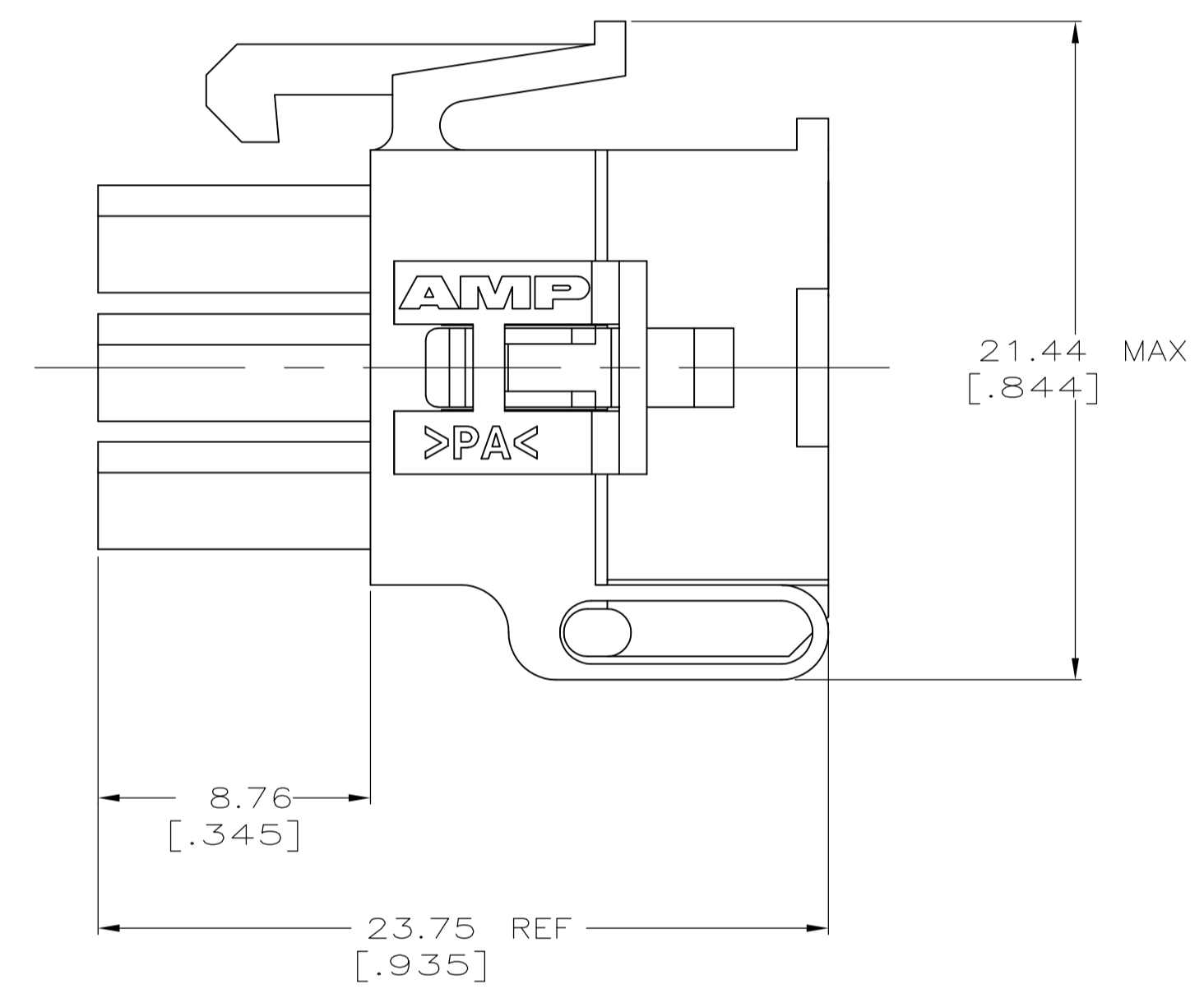
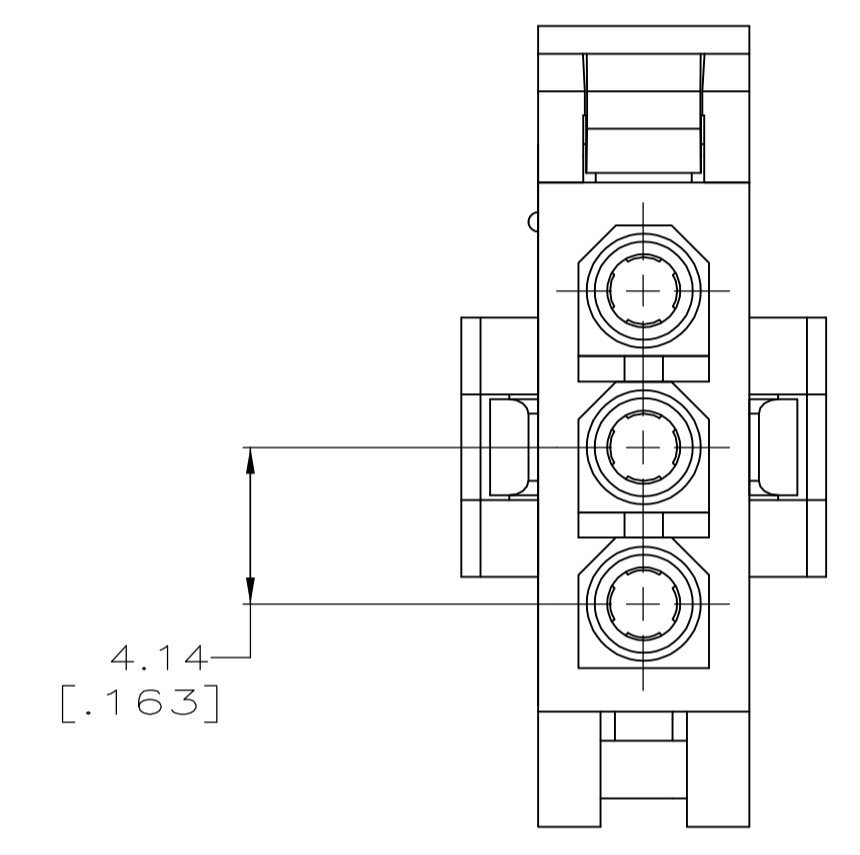


LOC		DIST		REVISIONS			
P	LTR	DESCRIPTION	DATE	DMN	APVD		
C		REVISED PER ECO-10-007848	14APR10	HMR	MS		



PRE-STAGED CONDITION

1 DIMENSIONS IN BRACKETS ARE IN INCHES.



3-DIMENSIONAL MODEL
NTS

METRIC

794186-1
PART NUMBER

THIS DRAWING IS A CONTROLLED DOCUMENT.		DWN K. WHITAKER 5-09-97	Tyco Electronics Corporation Harrisburg, PA 17105-3608
		CHK R. SWING 5-09-97	
DIMENSIONS: mm		APVD R. ORSTAD 5-09-97	NAME PLUG, 3 CIRCUIT, MINI UNIVERSAL MATE-N-LOK
TOLERANCES UNLESS OTHERWISE SPECIFIED: 0. PLC ± - 1. PLC ± - 2. PLC ± 0.13[.005] 3. PLC ± - 4. PLC ± - ANGLES ± 0° 30'		PRODUCT SPEC APPLICATION SPEC	RESTRICTED TO
MATERIAL NYLON, UL 94V-0, NATURAL		FINISH -	SIZE A1 CAGE CODE 00779 DRAWING NO 794186 RESTRICTED CUSTOMER
		WEIGHT -	SCALE 5:1 SHEET 1 OF 1 REV C