

Ratings

Voltage: 60 V
 Current: 1 A
 Waterproof: IP 67

Operating Temperature Range

-40 ~ 85 °C

Materials

- ① Insulator: Nylon 66 + 30% glass fiber, black
- ② Sleeve: brass, gold-flashing
- ③ Shell: brass, nickel plated
- ④ O-ring: rubber
- ⑤ Hexagonal nut: brass, nickel plated
- ⑥ O-ring: rubber

Electrical Requirements

Dielectric strength: 1 min @ 500 Vac
 Insulation resistance: 10⁸ Ω min
 Contact resistance: 10 mΩ or less

Mechanical Requirements

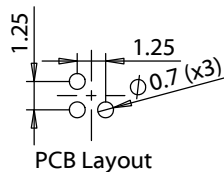
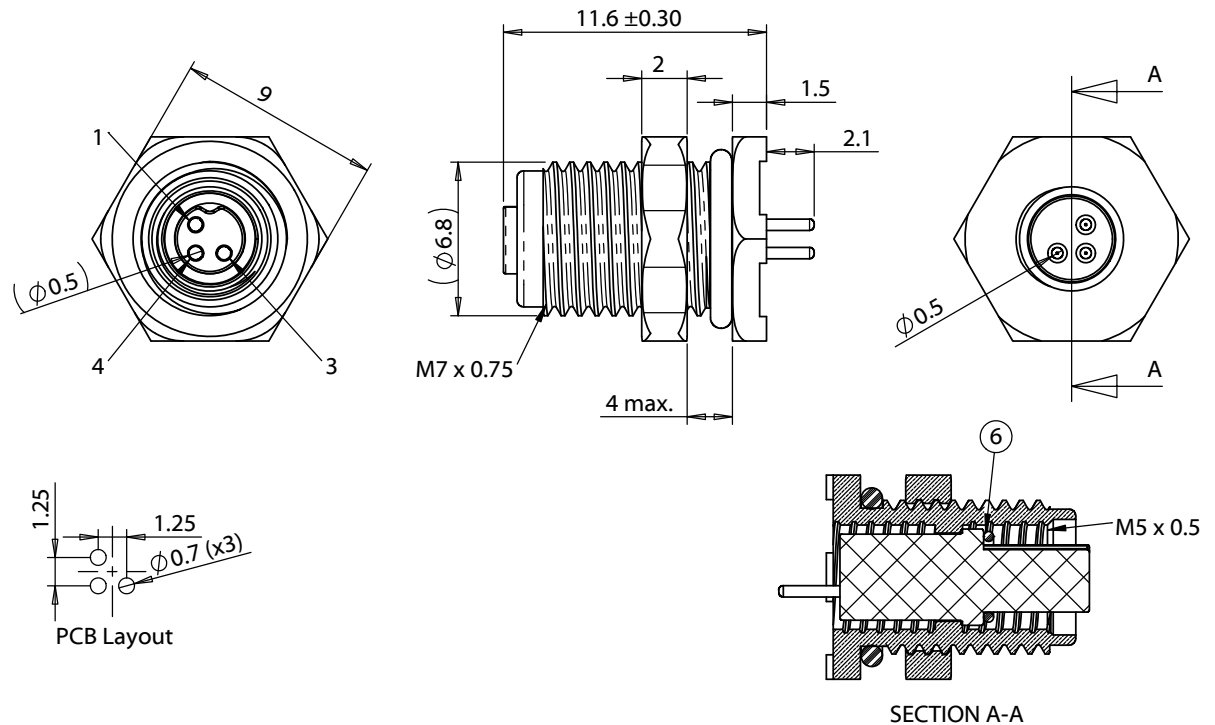
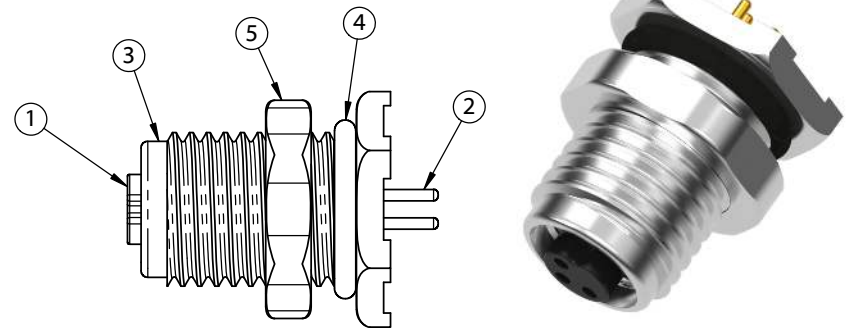
Insertion force: 0.82 kgf max
 Withdrawal force: 0.62 kgf max
 Life cycle: 500 mating cycles

Environmental Requirements

Cold test: -25 °C for 2 hours without deformation
 Heat test: 85 °C for 16 hours while maintaining minimum 10⁸ Ω insulation resistance

Assembly info

Panel cutout: Ø7.1 mm recommended



| | | | | | |
|-----------|------------|-----------------|--|--|---|
| Revision: | Date: | Description: | Prepared: | Notes: | <h1>TENSILITY</h1> tel 1.541.323.3228 800 877.670.7118 fax 1.541.323.4202 web tensility.com |
| A | 12/18/2018 | Initial release | AG <small>Digitally signed by AG Date: 2021.03.29 15:40:51 -07'00'</small> | RoHS compliant | |
| | | | Verified: | Function test: no open, no short circuit, no intermittent | Size: Part number: |
| | | | AW <small>Digitally signed by AW Date: 2021.03.31 14:20:03 -07'00'</small> | Description: | A 54-00153 |
| | | | Dimensions are in millimeters. Tolerances: X: ± 0.3 mm X.X: ± 0.1 mm X.XX: ± 0.05 mm | Connector, 3 pin M5 socket, 5xL13.7mm, gold plated, panel mount, PCB, IP67 | Scale: 3:1 |
| | | | | | Sheet 1 of 1 |