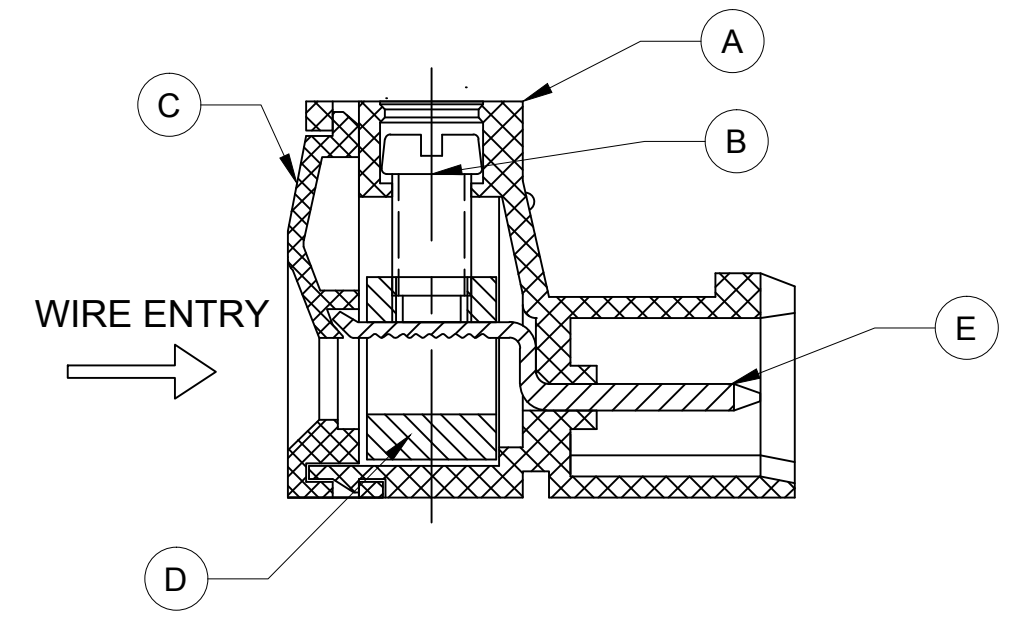
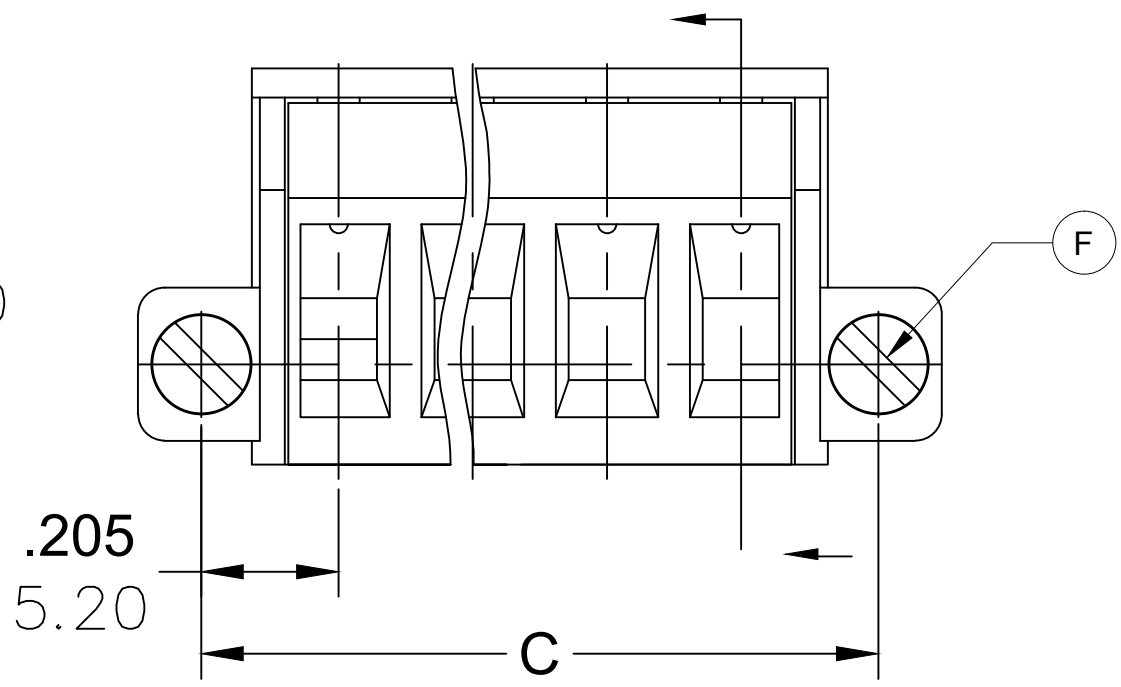
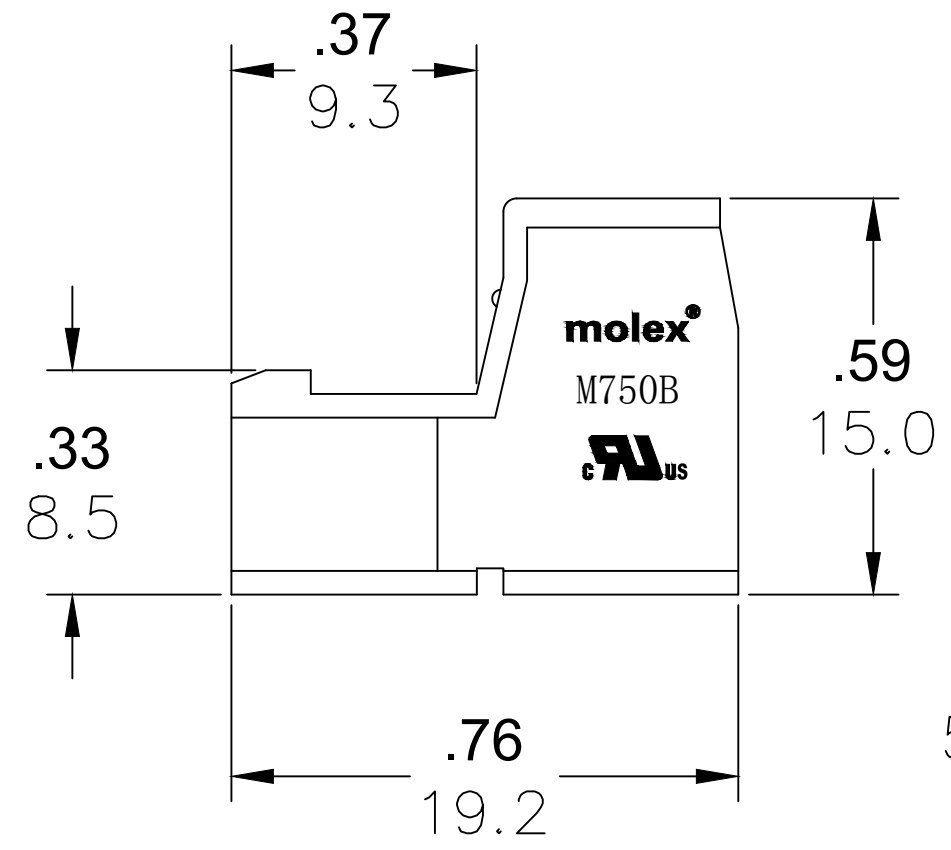
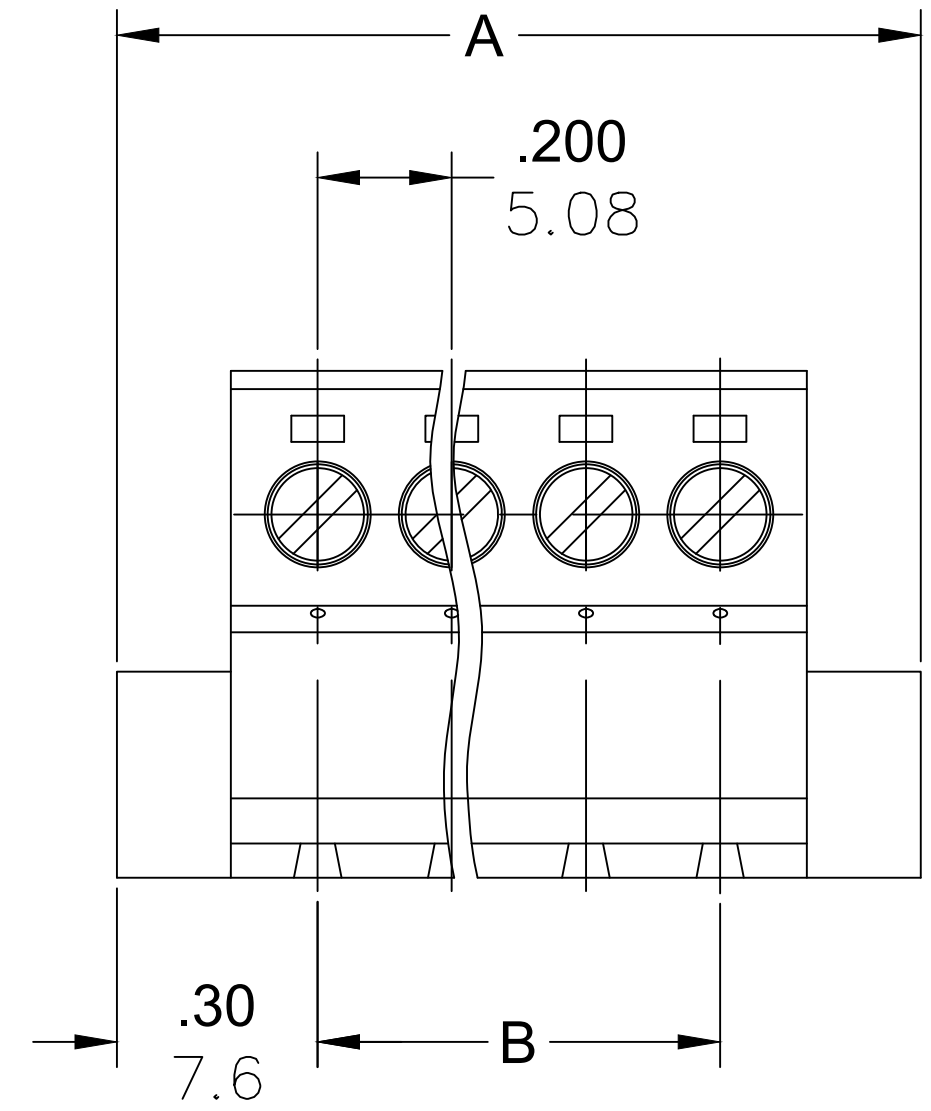
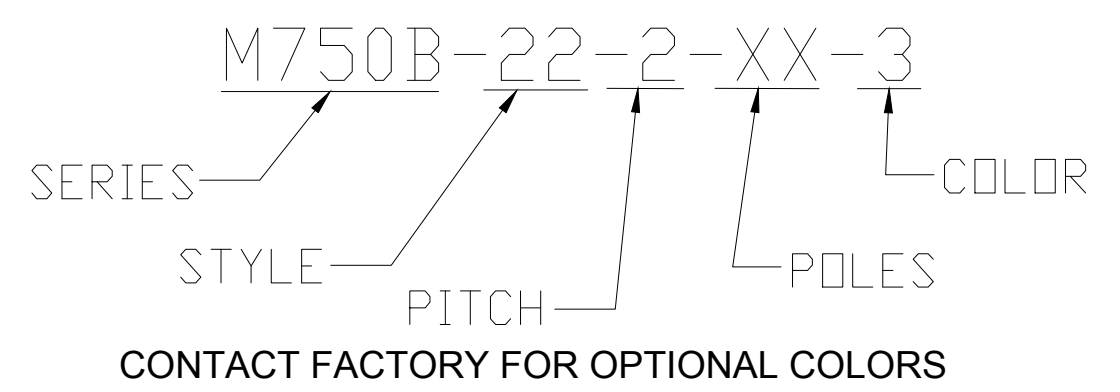


PART NUMBER DATA									
CIRCUITS	PART NUMBER	ENGINEERING NUMBER	COLOR	A IN mm		B IN mm		C IN mm	
2	397180002	M750B-22-2-02-3	GREEN	.80	20.3	.200	5.08	.610	15.49
3	397180003	M750B-22-2-03-3	GREEN	1.00	25.3	.400	10.16	.810	20.57
4	397180004	M750B-22-2-04-3	GREEN	1.20	30.4	.600	15.24	1.010	25.65
5	397180005	M750B-22-2-05-3	GREEN	1.40	35.5	.800	20.32	1.210	30.73
6	397180006	M750B-22-2-06-3	GREEN	1.60	40.6	1.000	25.40	1.410	35.81
7	397180007	M750B-22-2-07-3	GREEN	1.80	45.7	1.200	30.48	1.610	40.89
8	397180008	M750B-22-2-08-3	GREEN	2.00	50.7	1.400	35.56	1.810	45.97
9	397180009	M750B-22-2-09-3	GREEN	2.20	55.8	1.600	40.64	2.010	51.05
10	397180010	M750B-22-2-10-3	GREEN	2.40	60.9	1.800	45.72	2.210	56.13
11	397180011	M750B-22-2-11-3	GREEN	2.60	66.0	2.000	50.80	2.410	61.21
12	397180012	M750B-22-2-12-3	GREEN	2.80	71.1	2.200	55.88	2.610	66.29
13		M750B-22-2-13-3	GREEN	3.00	76.1	2.400	60.96	2.810	71.37
14		M750B-22-2-14-3	GREEN	3.20	81.2	2.600	66.04	3.010	76.45
15		M750B-22-2-15-3	GREEN	3.40	86.3	2.800	71.12	3.210	81.53
16		M750B-22-2-16-3	GREEN	3.60	91.4	3.000	76.20	3.410	86.61
17		M750B-22-2-17-3	GREEN	3.80	96.5	3.200	81.28	3.610	91.69
18		M750B-22-2-18-3	GREEN	4.00	101.5	3.400	86.36	3.810	96.77
19		M750B-22-2-19-3	GREEN	4.20	106.6	3.600	91.44	4.010	101.85
20		M750B-22-2-20-3	GREEN	4.40	111.7	3.800	96.52	4.210	106.93
21		M750B-22-2-21-3	GREEN	4.60	116.8	4.000	101.59	4.410	112.01
22		M750B-22-2-22-3	GREEN	4.80	121.9	4.200	106.67	4.610	117.09
23		M750B-22-2-23-3	GREEN	5.00	126.9	4.400	111.75	4.810	122.17
24		M750B-22-2-24-3	GREEN	5.20	132.0	4.600	116.83	5.010	127.25

REF. LAST 2 DIGITS OF PART NUMBER EQUAL CIRCUIT COUNT



ENGINEERING NUMBER LEGEND



SPECIFICATIONS

- MATERIAL:
 - BODY : PA66. UL94 V-0
 - SCREW: M3.0, STEEL. ZINC PLATED
 - COVER: PA66. UL94 V-0
 - CAGE: BRASS. NI PLATED
 - TERMINAL: BRASS. TIN PLATED
 - SCREW: M2.5, STEEL. ZINC PLATED
- WIRE SIZE: 24 TO 12AWG
- RATING: 250V, 12A
- MAX TORQUE : 4.4 IN LBS.
- WIRE STRIP LENGTH: .20 in. (5.0mm)
- OPERATING TEMPERATURE: -40°C TO +105°C
- DIMS. SHOWN ARE FOR REFERENCE ONLY

TOLERANCES			
MM	TOL	INCH	TOL
0-6	±0.25	0-.24	±.010
>6-30	±0.40	.24-1.18	±.016
>30-120	±0.50	1.18-4.76	±.020
>120	±0.80	>4.76	±.031

REVISED DOC TOL EC NO.: ICG2017-0881 DRWN: ABENJAMI CH'KD: --- APPR: BRUPERT 2014/10/16 DESCRIPTION REV	QUALITY SYMBOL	GENERAL TOLERANCES (UNLESS SPECIFIED)	DIMENSION STYLE IN/MM	SCALE ---	DESIGN UNITS METRIC	THIRD ANGLE PROJECTION
	▽=0	4 PLACES ±--- ±---	DRAWN BY RSTONE DATE 2014/04/29	TITLE	RECEPTACLE PLUG-HORIZ	
	∇=0	3 PLACES ±--- ±---	CHECKED BY DATE	5.08MM WITH MOUNTING ENDS		
		2 PLACES ±--- ±---	APPROVED BY JFMURPHY DATE 2014/10/16	MOLEX INCORPORATED		
A1		1 PLACE ±--- ±---	MATERIAL NO. SEE CHART	DOCUMENT NO. SD-39718-001	SHEET NO. 1 OF 1	
DRAFT WHERE APPLICABLE MUST REMAIN WITHIN DIMENSIONS			THIS DRAWING CONTAINS INFORMATION THAT IS PROPRIETARY TO MOLEX INCORPORATED AND SHOULD NOT BE USED WITHOUT WRITTEN PERMISSION			