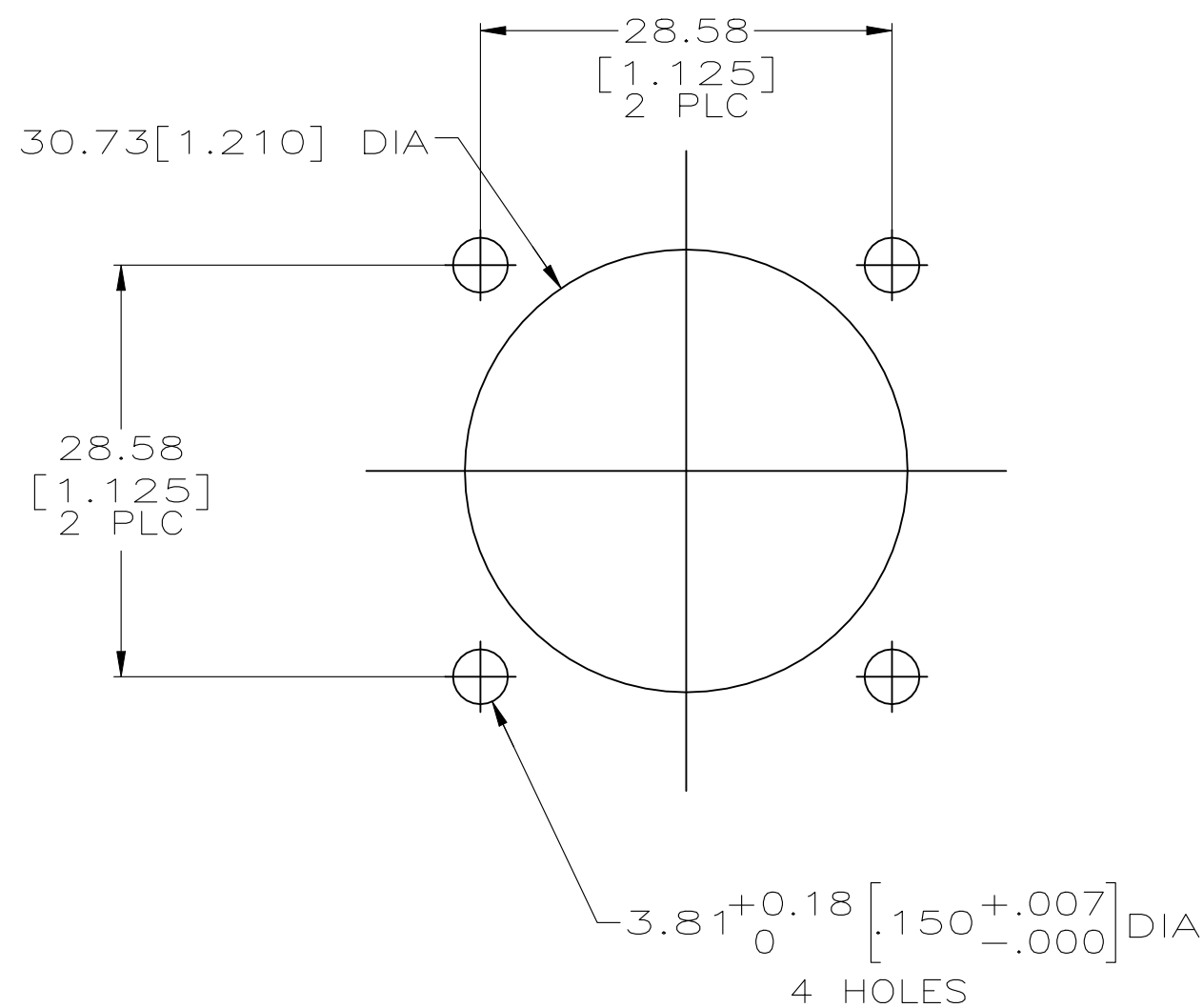
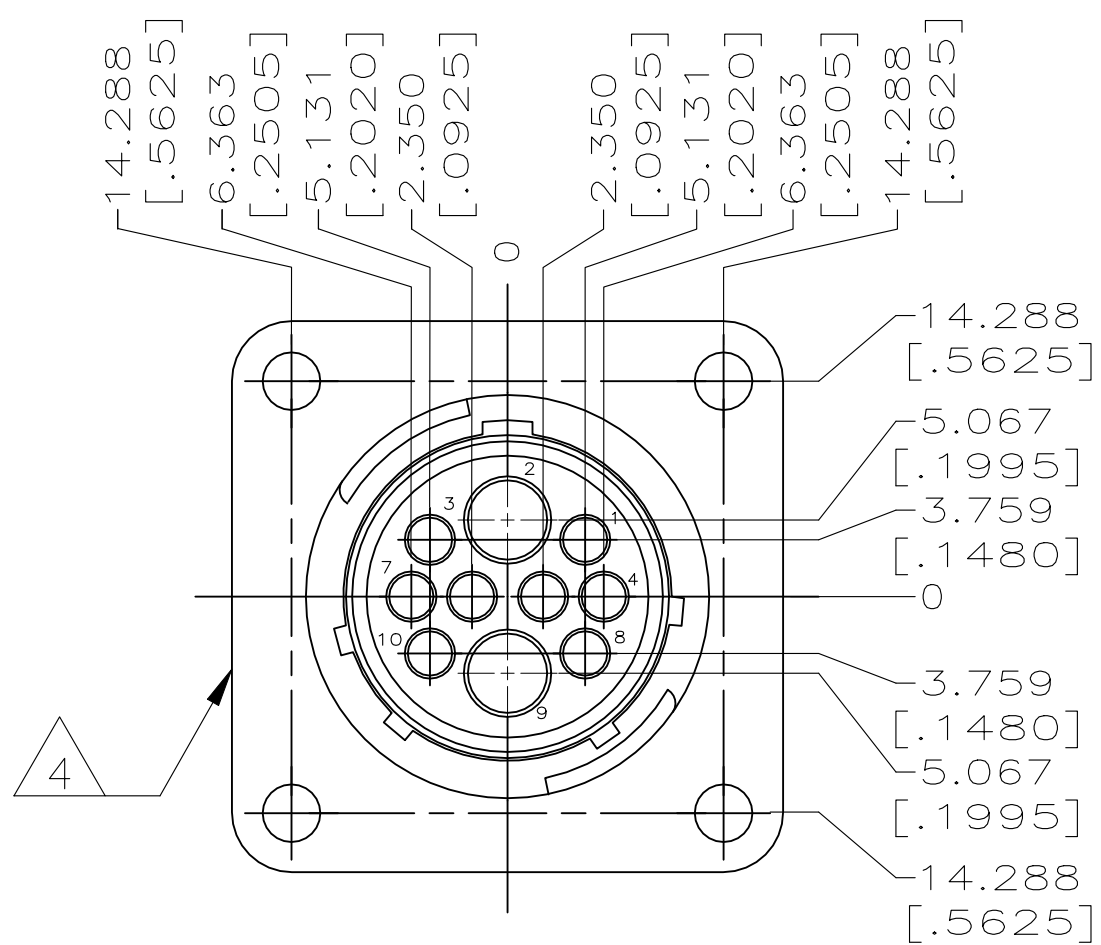
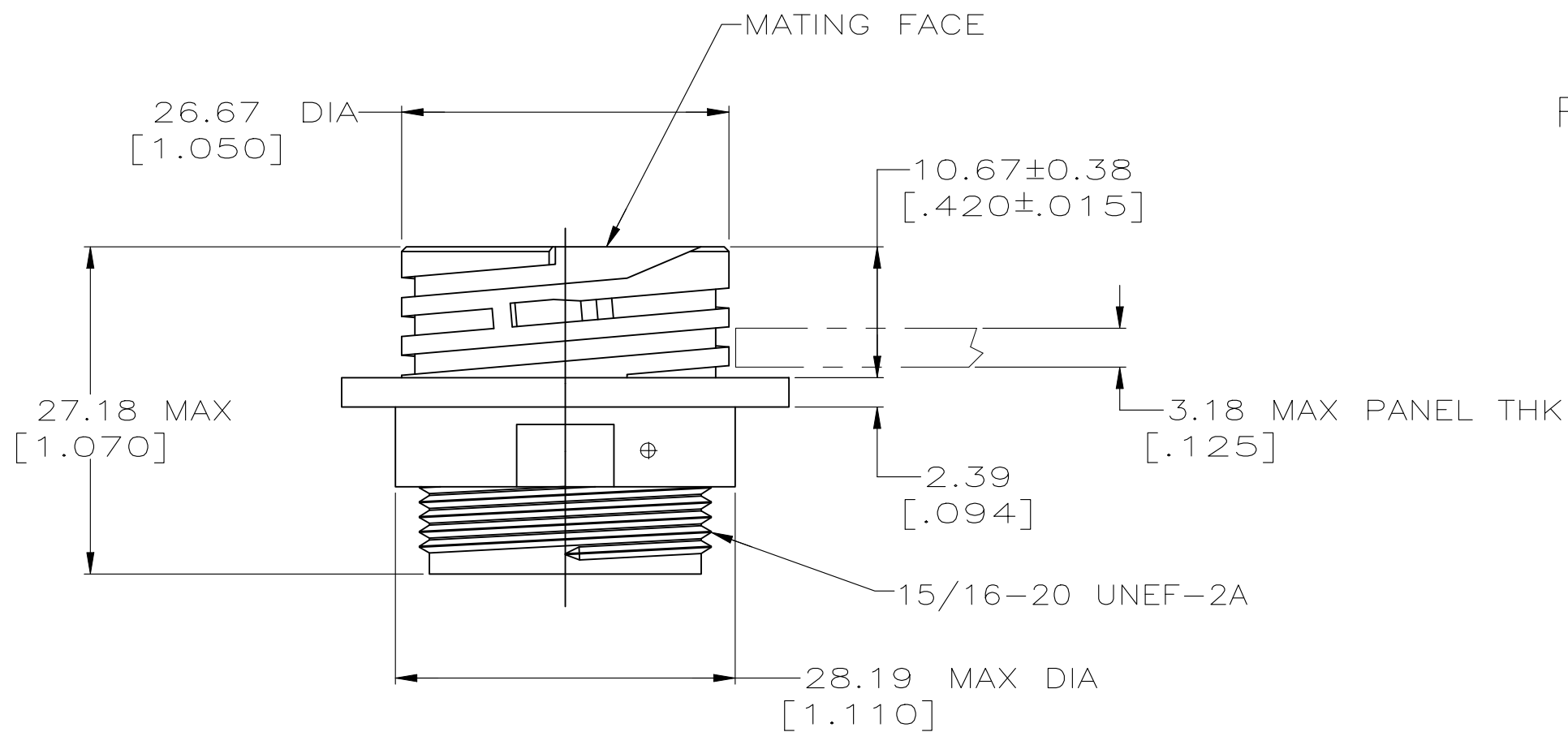


REVISIONS				
P	LTR	DESCRIPTION	DATE	APVD
B		ECO-21-006943	13OCT2021	RK MZ

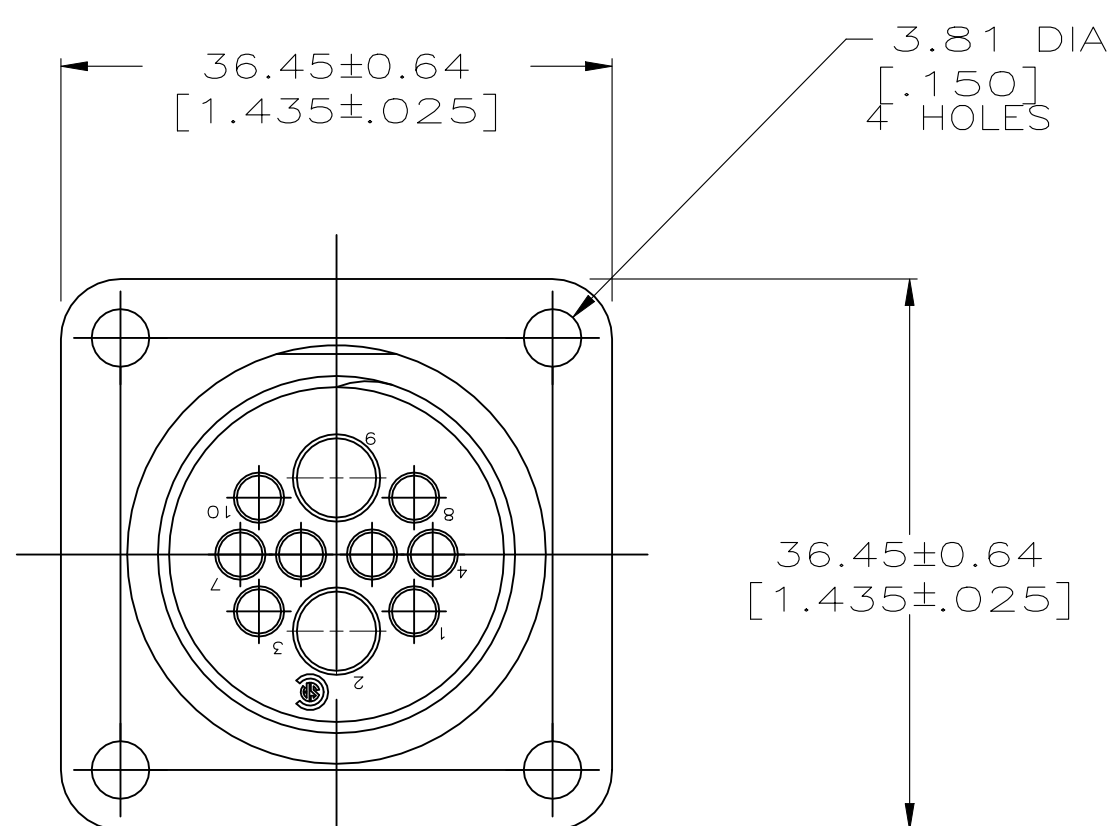


RECOMMENDED PANEL CUTOUT



1. THIS CONNECTOR WILL ACCEPT TWO TYPE I, SIZE 12 SOCKET CONTACTS AND EIGHT MULTIMATE SOCKET CONTACTS.
2. TYPE I CONTACTS MATE FIRST, BREAK LAST.
3. MAX WIRE INSULATION USED WITH THIS RECEPTACLE IS 2.67[.105] DIA FOR MULTIMATE SOCKET CONTACTS.

4 TE LOGO AND PART NUMBER LOCATED ON ANY FLANGE EDGE



213128-1

PART NUMBER

THIS DRAWING IS A CONTROLLED DOCUMENT.		DWN C.OBERMAN 05/18/95	TE TE Connectivity	
DIMENSIONS: mm[INCHES]		CHK R.STONE 5-23-95		
TOLERANCES UNLESS OTHERWISE SPECIFIED:		APVD A.FRANTUM 5-25-95	NAME RECEPTACLE, ARR 17-10M, REVERSE	
0 PLC ± -	1 PLC ± -	PRODUCT SPEC	SEX, SERIES 4, CLASS A, SQUARE FLANGE, CPC	
2 PLC ± 0.25 [.010]	3 PLC ± 0.25 [.0100]	APPLICATION SPEC	SIZE A2	CAGE CODE 00779
4 PLC ± -	ANGLES ± -		DRAWING NO C=213128	RESTRICTED TO -
MATERIAL NYLON, BLACK	FINISH -	WEIGHT -	SCALE 2:1	SHEET 1 of 1
CUSTOMER DRAWING			REV B	