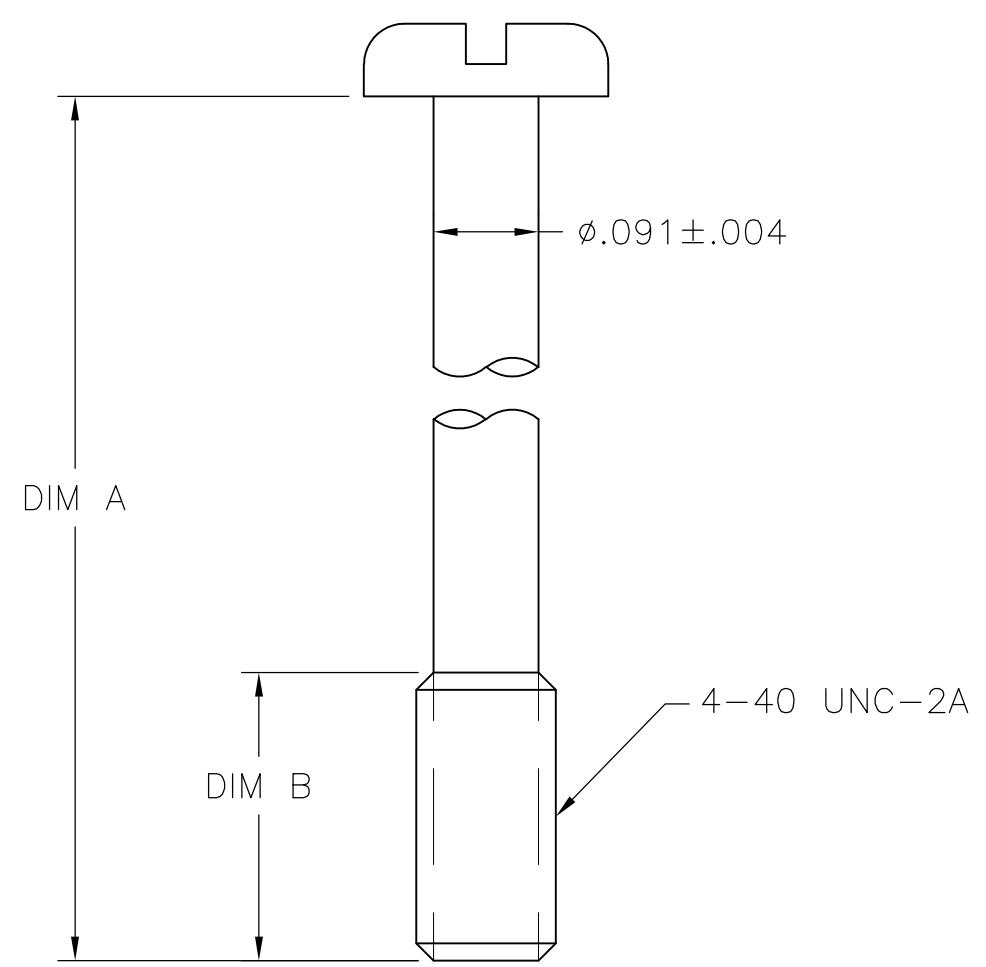


THIS DRAWING IS UNPUBLISHED.      RELEASED FOR PUBLICATION  
 © COPYRIGHT - By -      ALL RIGHTS RESERVED.

LOC GP	DIST 00	REVISIONS			
P	LTR	DESCRIPTION	DATE	DWN	APVD
	P	REVISED PER ECO-11-005033	23MAR11	RK	HMR

△ 1 MATERIAL:  
ZINC PLATED STEEL.



.20	1.00	5229911-4
.13	1.75	5229911-3
.25	.62	5229911-2
.25	.75	5229911-1
DIM B	DIM A	PART NO

THIS DRAWING IS A CONTROLLED DOCUMENT.		DWN B. MCMASTER 27JULY05	<b>STE</b> TE Connectivity														
DIMENSIONS: INCHES		CHK W. MILLHIMES 27JULY05															
TOLERANCES UNLESS OTHERWISE SPECIFIED:		APVD M. WALMSLEY 27JULY05	NAME														
<table border="0"> <tr><td>0 PLC</td><td>± -</td></tr> <tr><td>1 PLC</td><td>± -</td></tr> <tr><td>2 PLC</td><td>± .02</td></tr> <tr><td>3 PLC</td><td>± -</td></tr> <tr><td>4 PLC</td><td>± -</td></tr> <tr><td>ANGLES</td><td>± -</td></tr> </table>		0 PLC	± -	1 PLC	± -	2 PLC	± .02	3 PLC	± -	4 PLC	± -	ANGLES	± -	PRODUCT SPEC -	SCREW, PAN HD, CAPTIVE		
0 PLC	± -																
1 PLC	± -																
2 PLC	± .02																
3 PLC	± -																
4 PLC	± -																
ANGLES	± -																
MATERIAL △ 1		FINISH △ 1	APPLICATION SPEC -	SIZE A3	CAGE CODE 00779	DRAWING NO C-5229911	RESTRICTED TO -										
CUSTOMER DRAWING			SCALE 6:1	SHEET 1 OF 1	REV P												